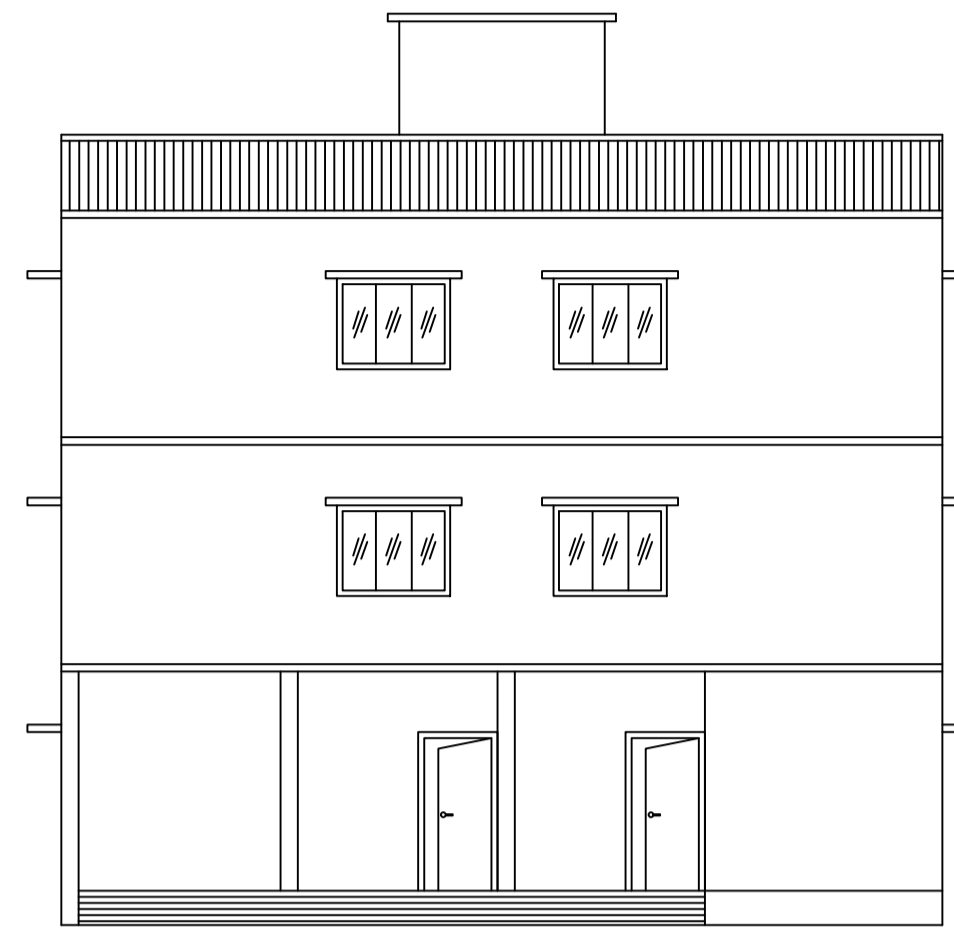
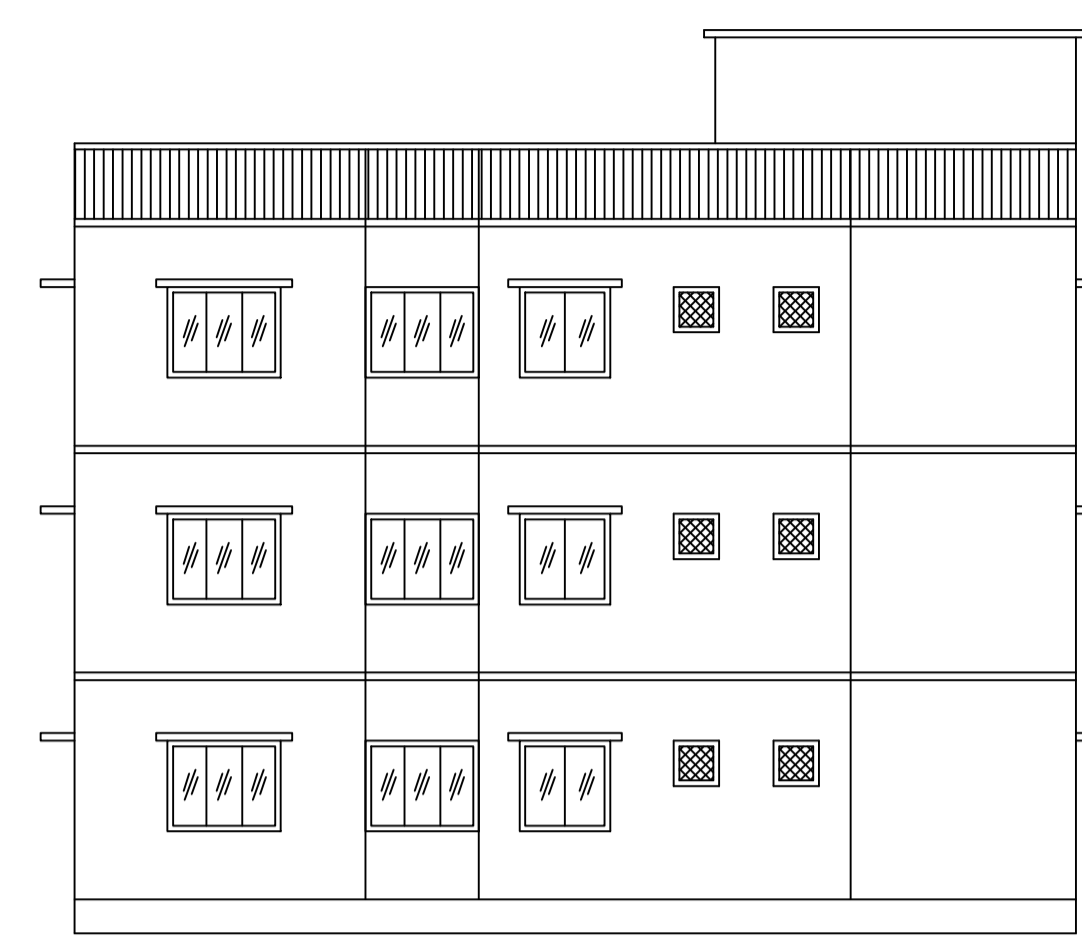


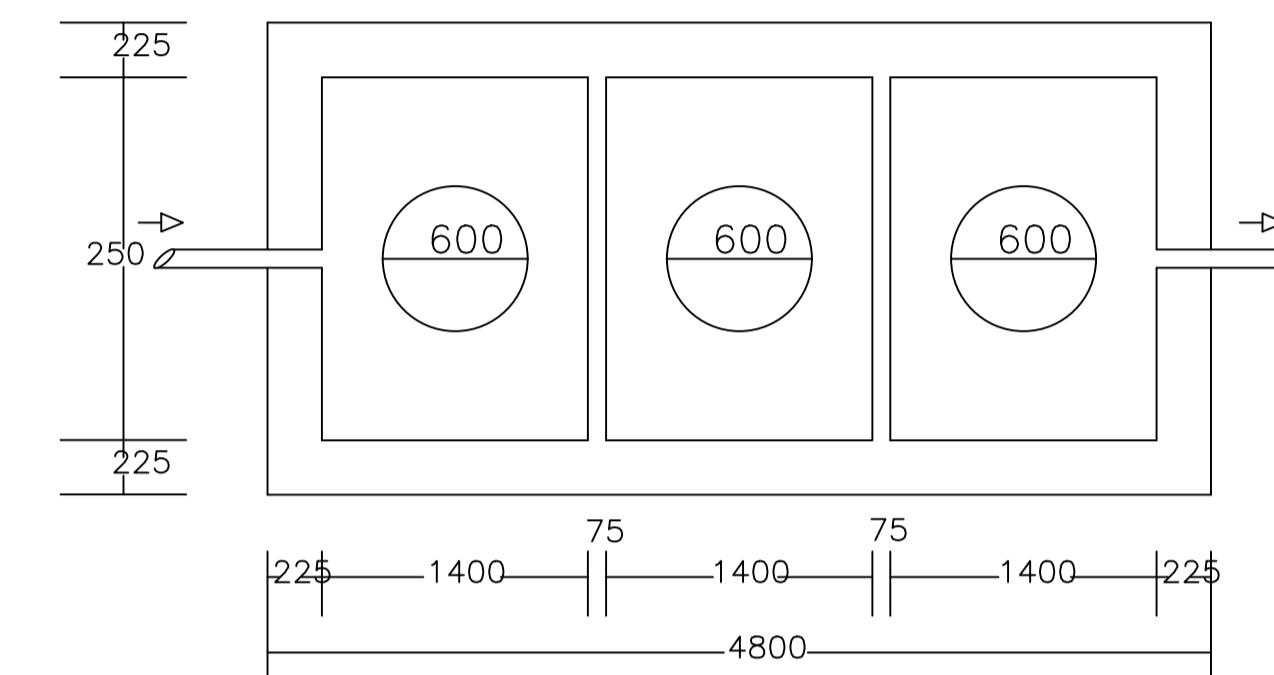
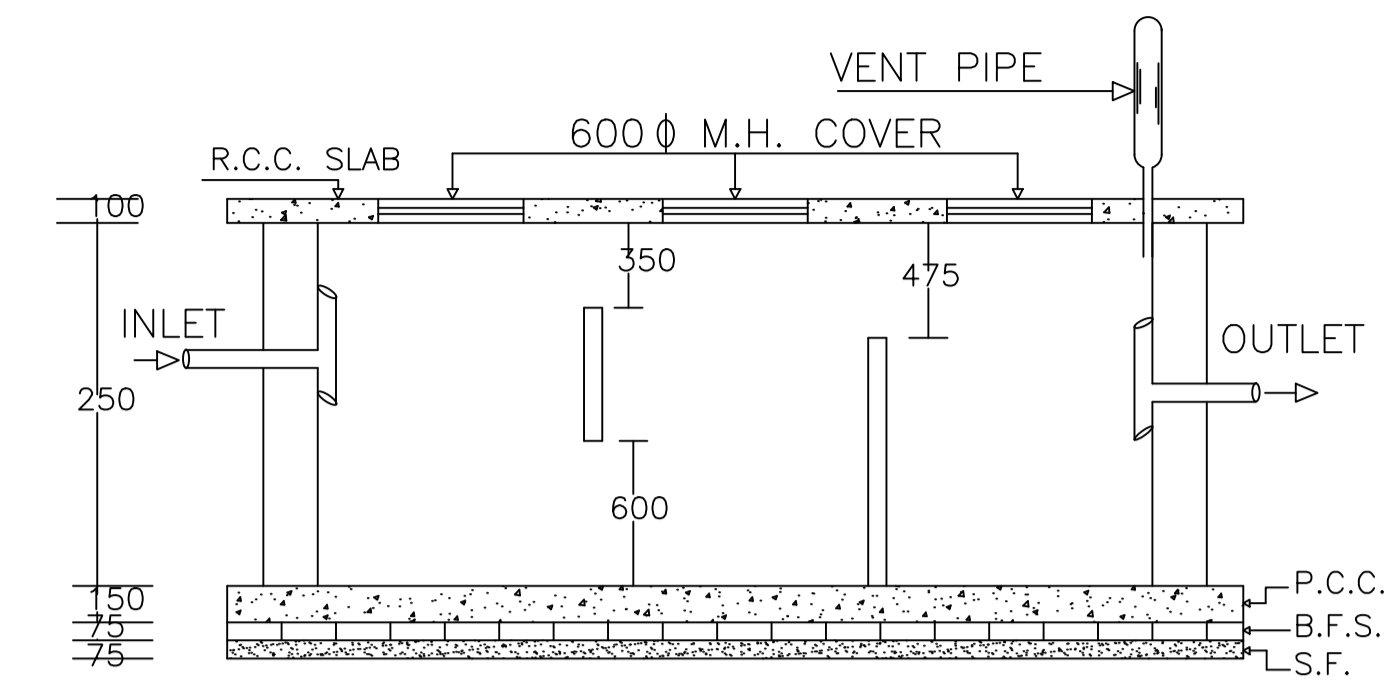
Proposal Basic Information	
Proposal File No.	DMC/BP/0054/W22/2022
Owner Name	SATYENDRA PRASAD YADAV AND UMESH KUMAR YA
Khata No	OLD 87, NEW 249
Plot No	OLD 718, NEW 819,820
Village Name	Bhelaland
Use	Residential
SubUse	Bungalow/ Dwelling / Non Apartment



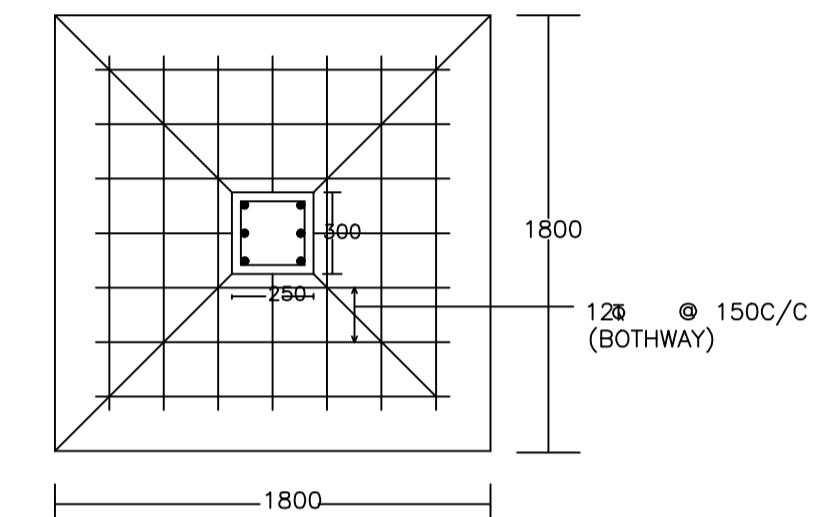
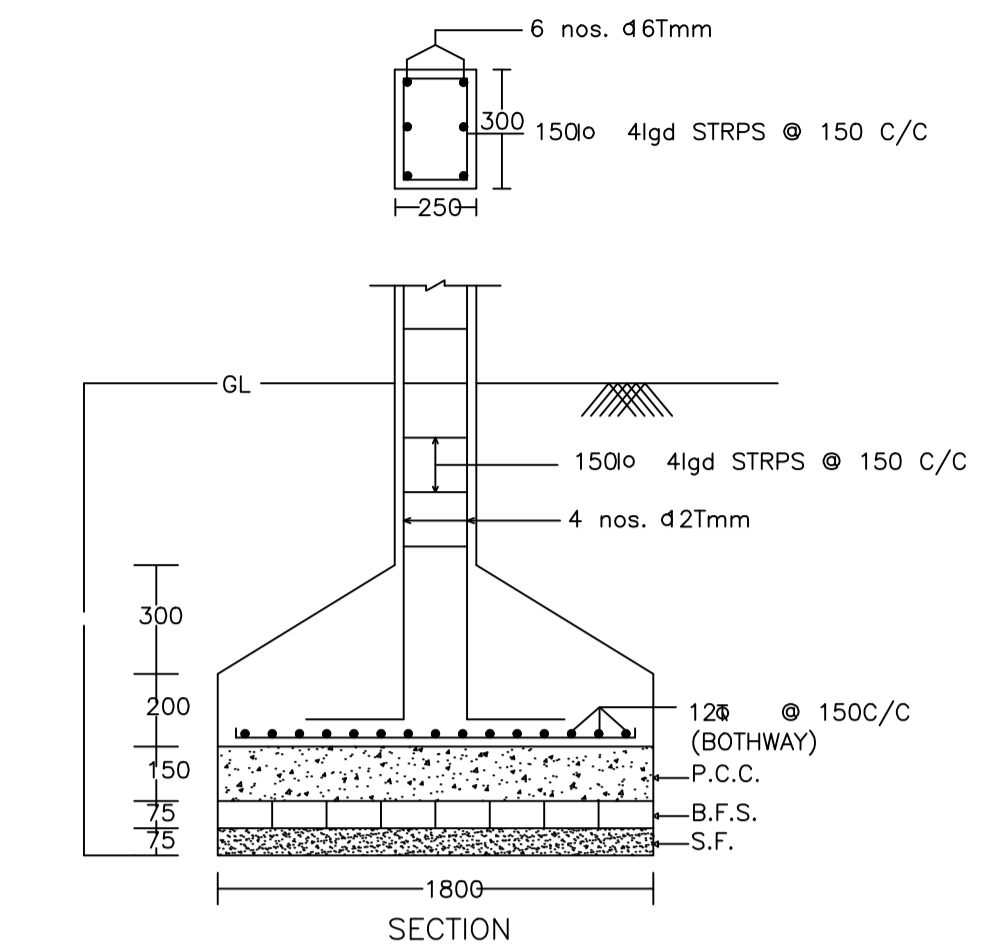
FRONT ELEVATION



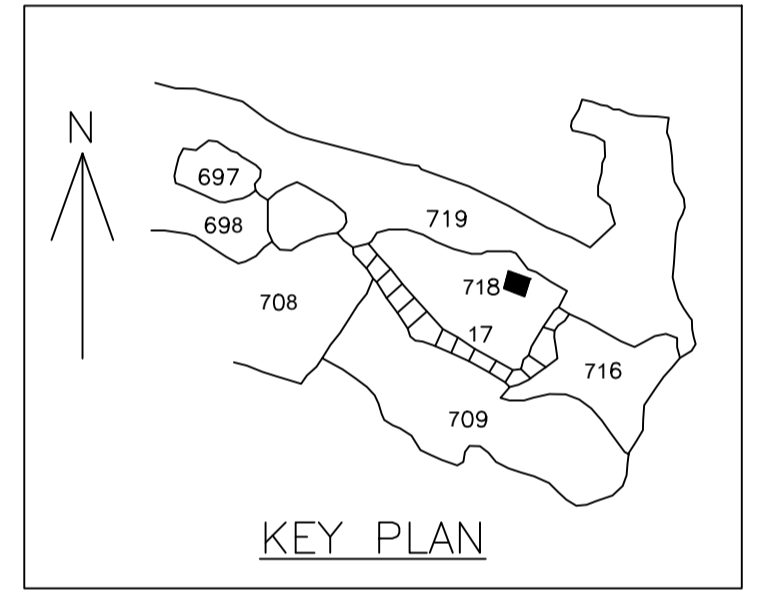
RIGHT SIDE ELEVATION



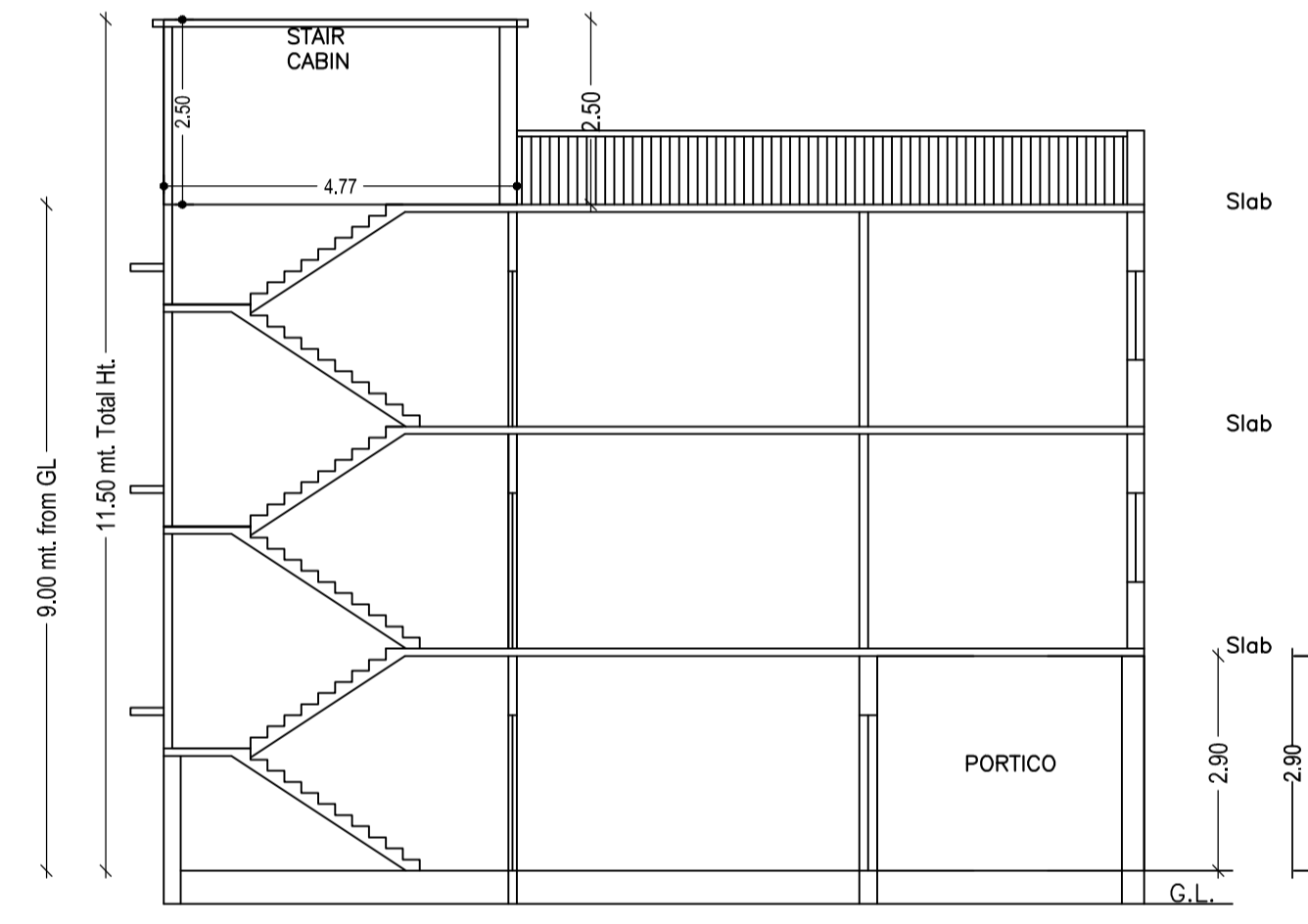
PLAN OF SEPTIC TANK



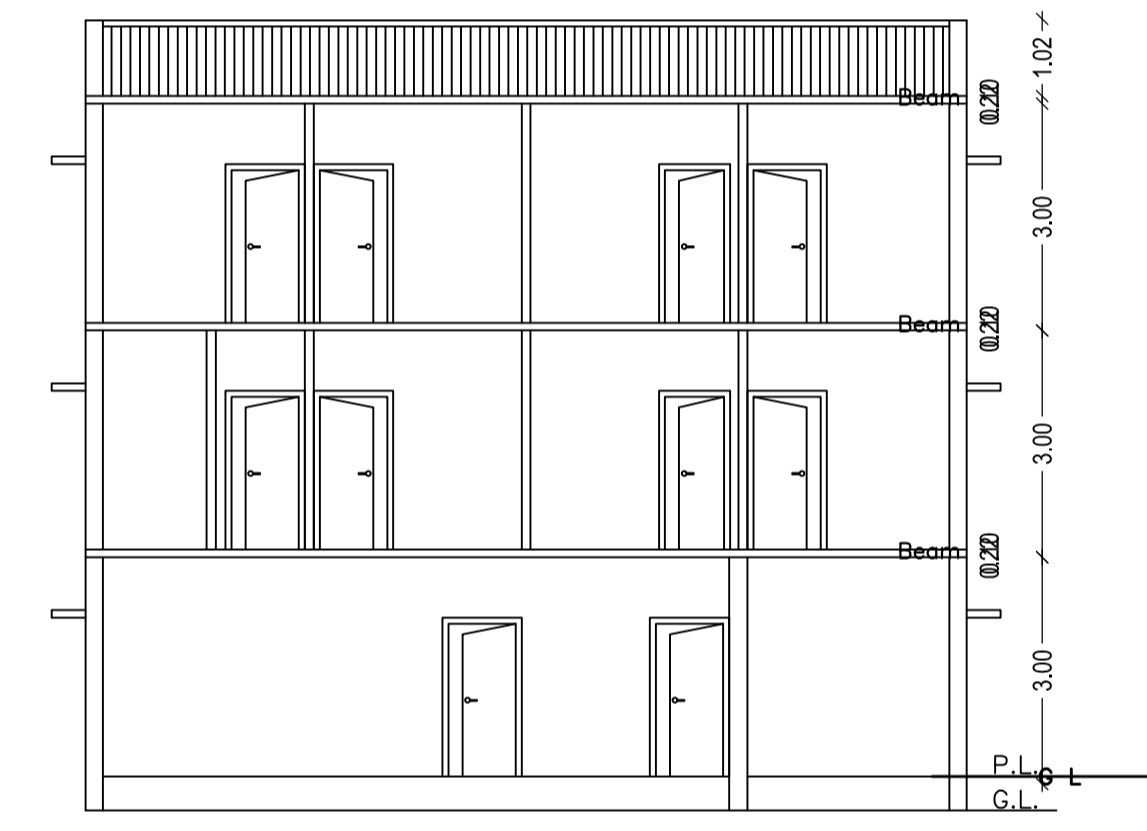
DETAIL OF COLUMNS



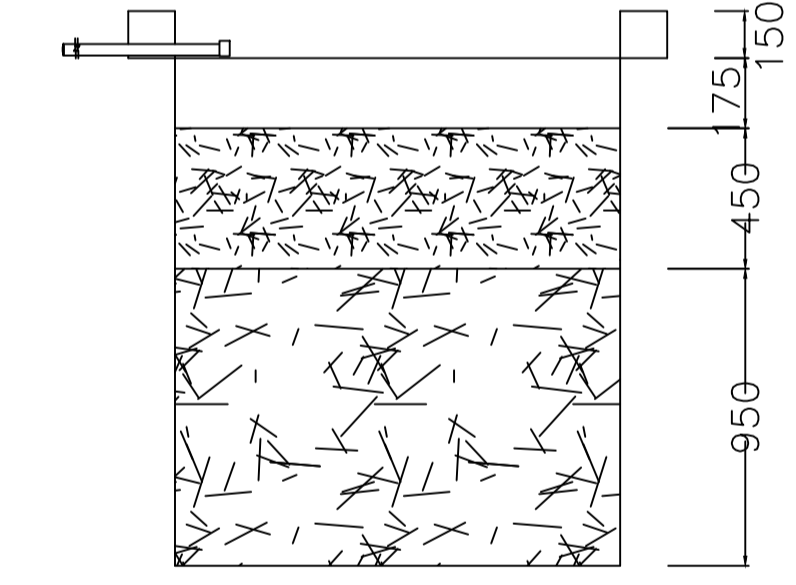
KEY PLAN



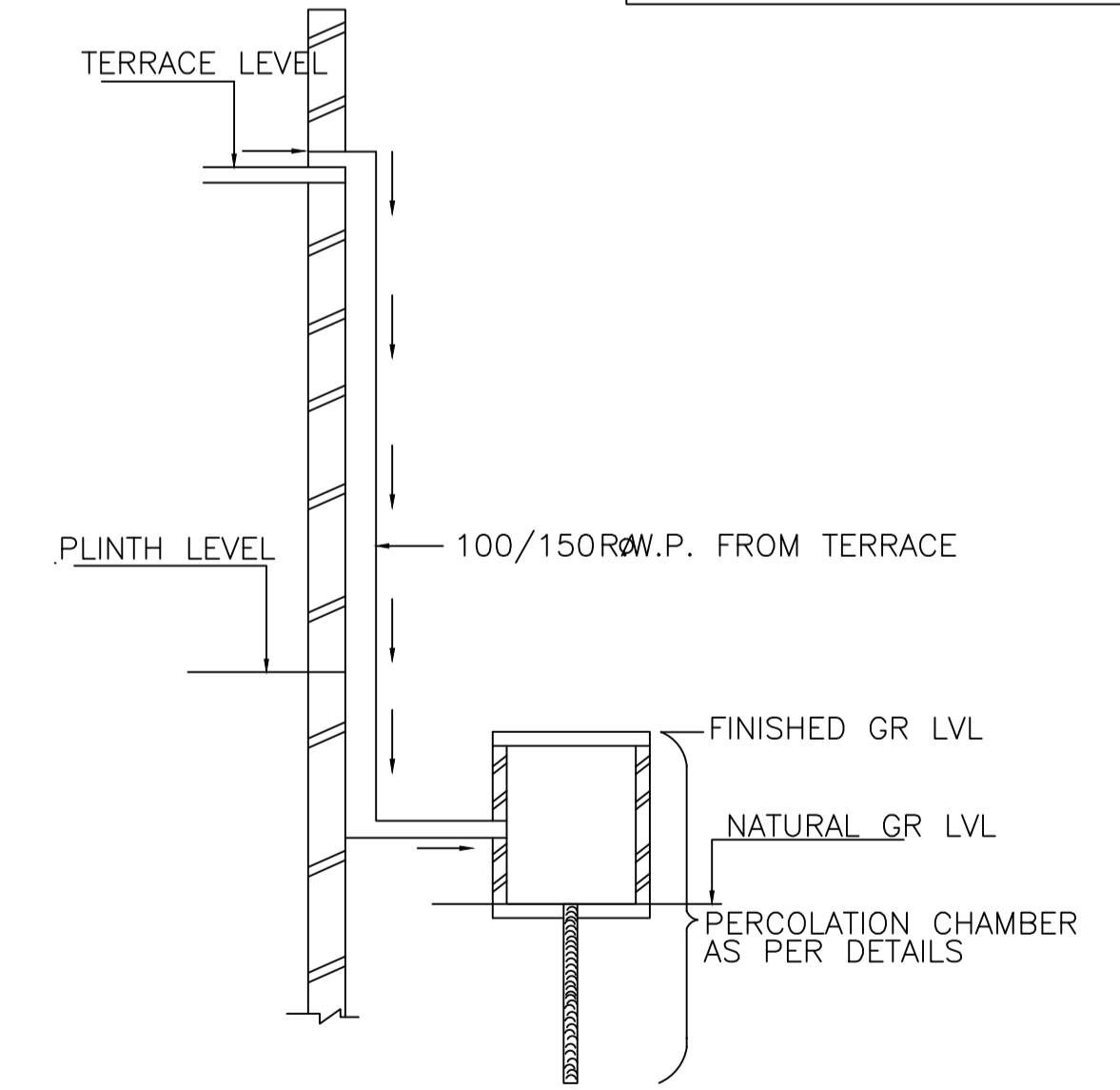
SECTION ON X-X



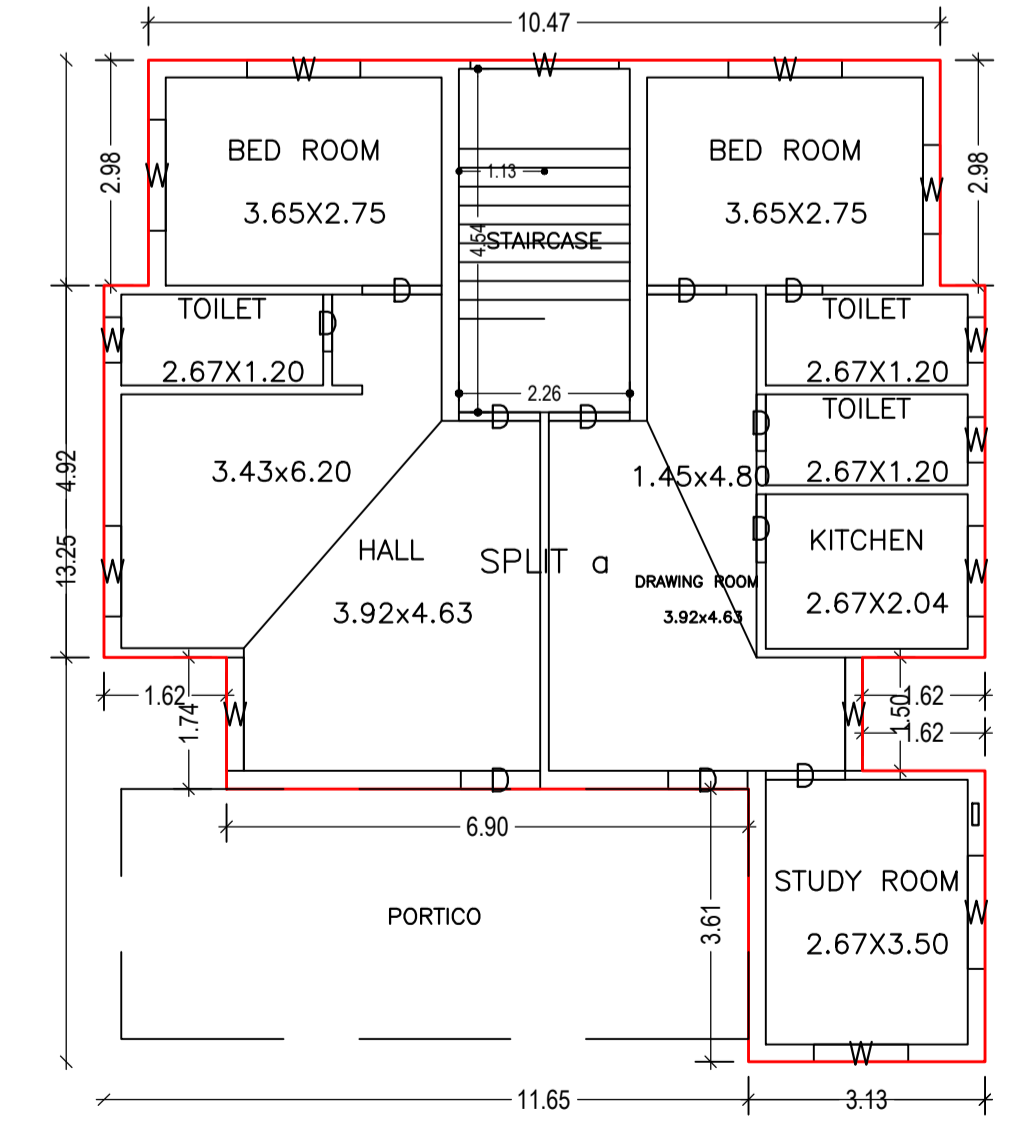
SECTION ON Y-Y



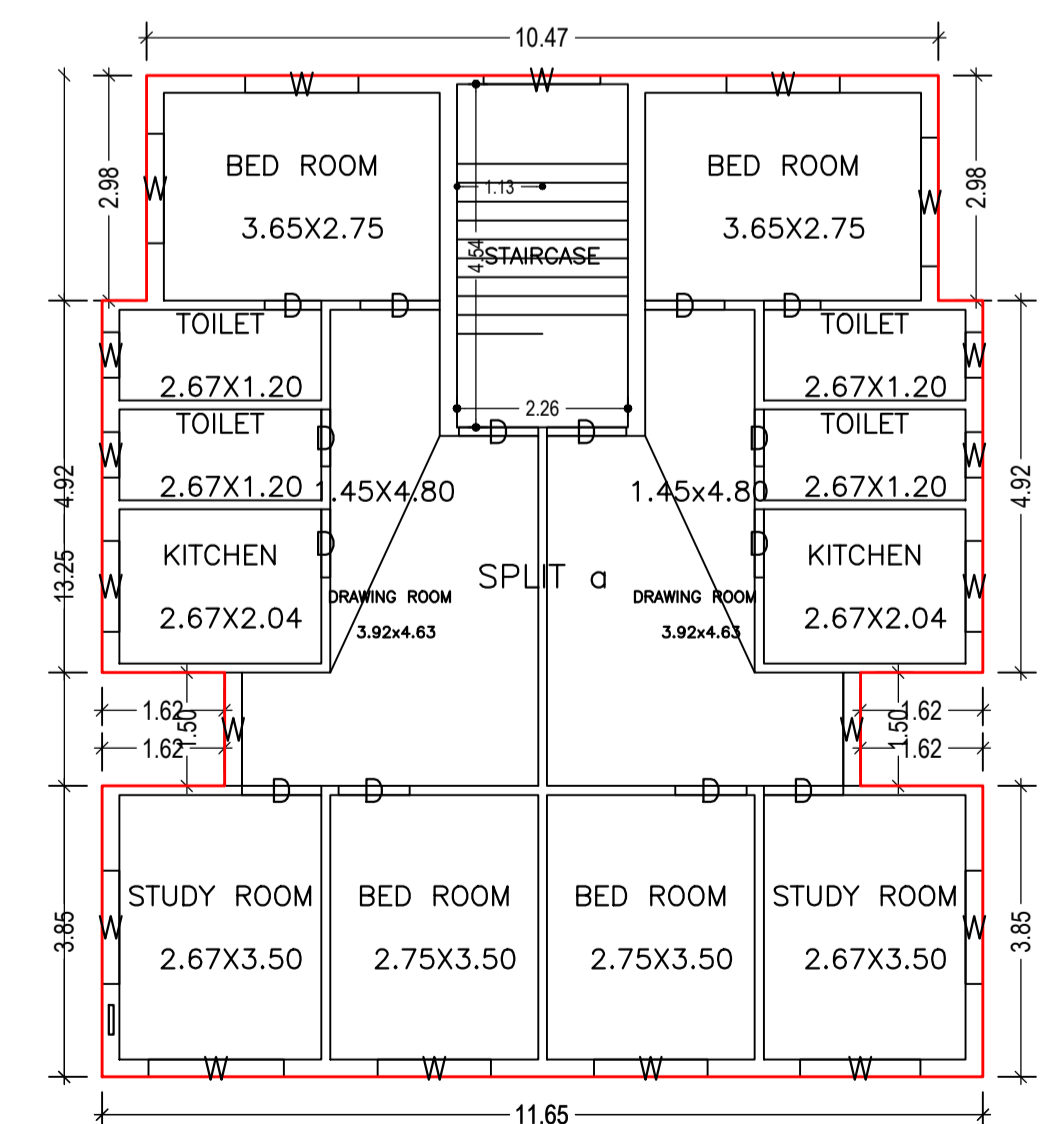
SECTION AT Y-Y



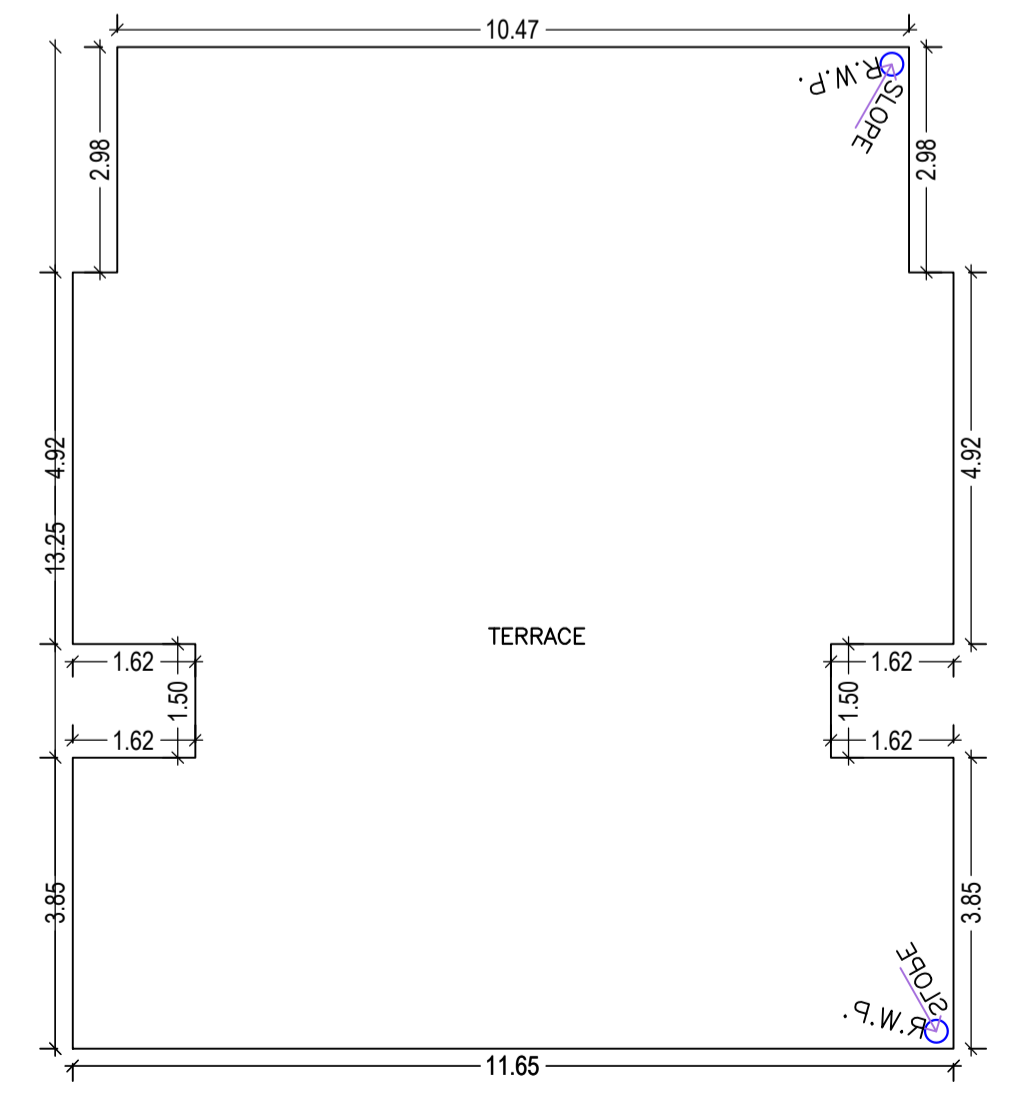
ROOF TOP RAIN WATER COLLECTION SYSTEM



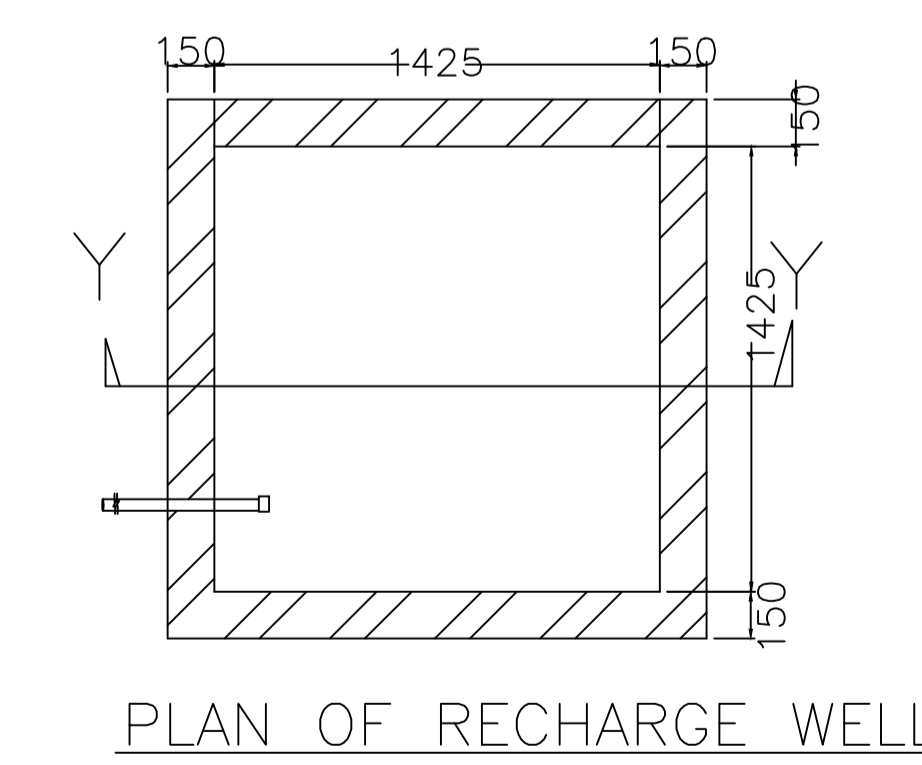
GROUND FLOOR PLAN (Proposed) (SCALE 1:100)



TYPICAL - 1, 2 FLOOR PLAN (Proposed) (SCALE 1:100)



TERRACE FLOOR PLAN (SCALE 1:100)



PLAN OF RECHARGE WELL

WATER HARVESTING

LTP NAME AND SIGNATURE	STRUCTURAL ENG'S NAME AND SIGNATURE	BUILDER NAME AND SIGNATURE	DIGITAL SIGNATURE
RAJEEV RANJAN SINGH DMC/ENG/0032/2017			