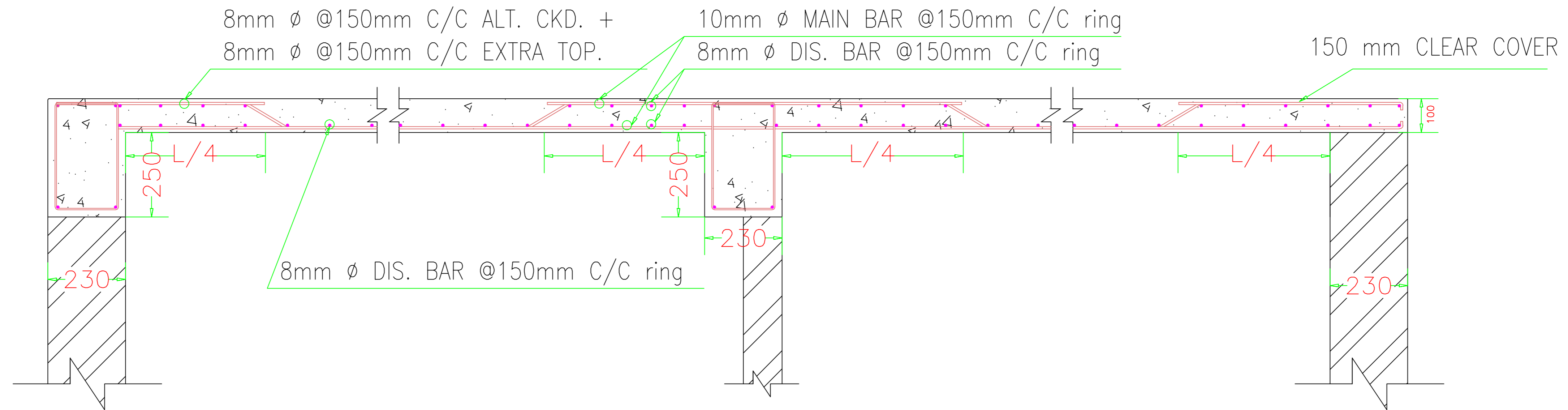
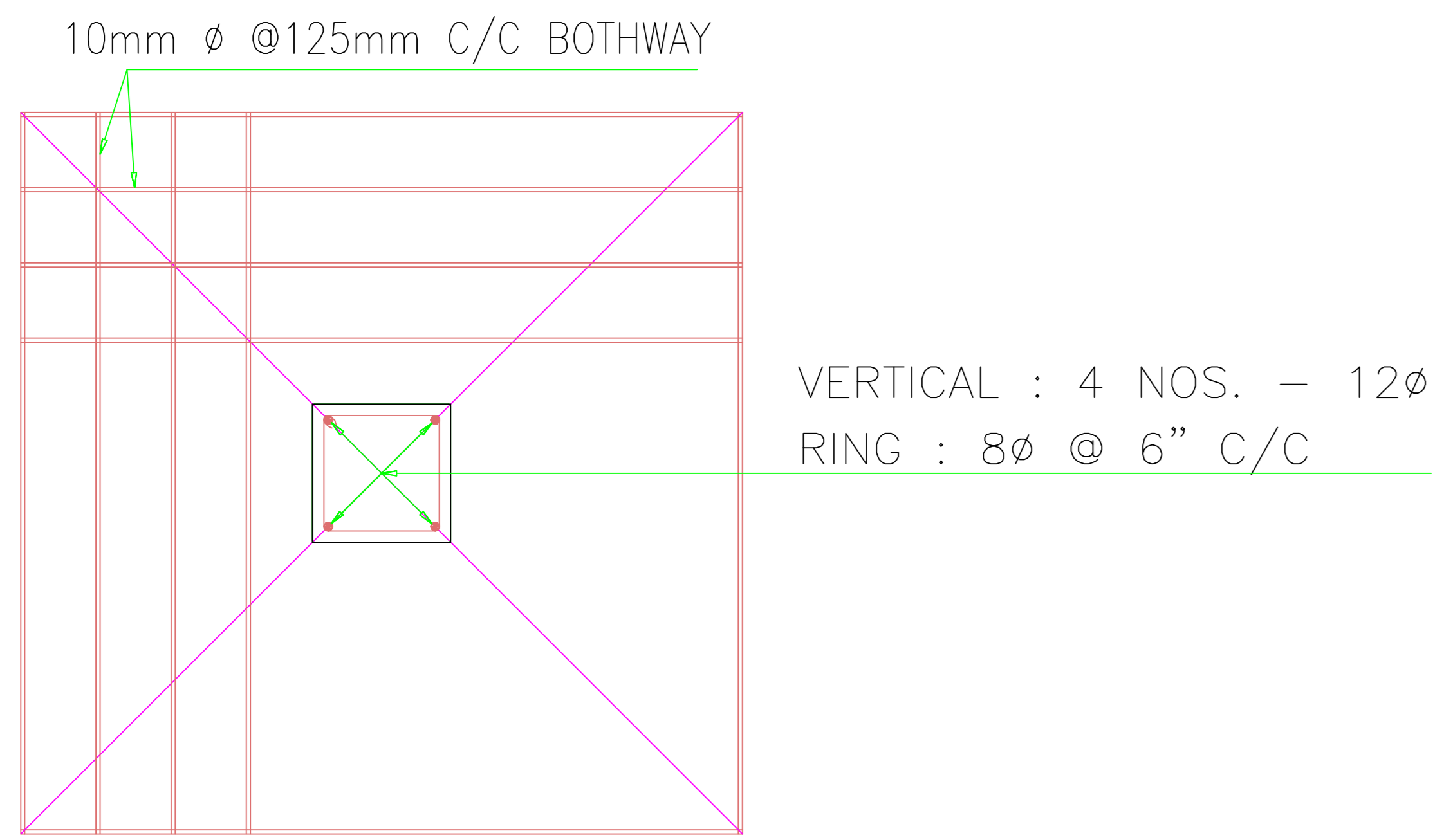
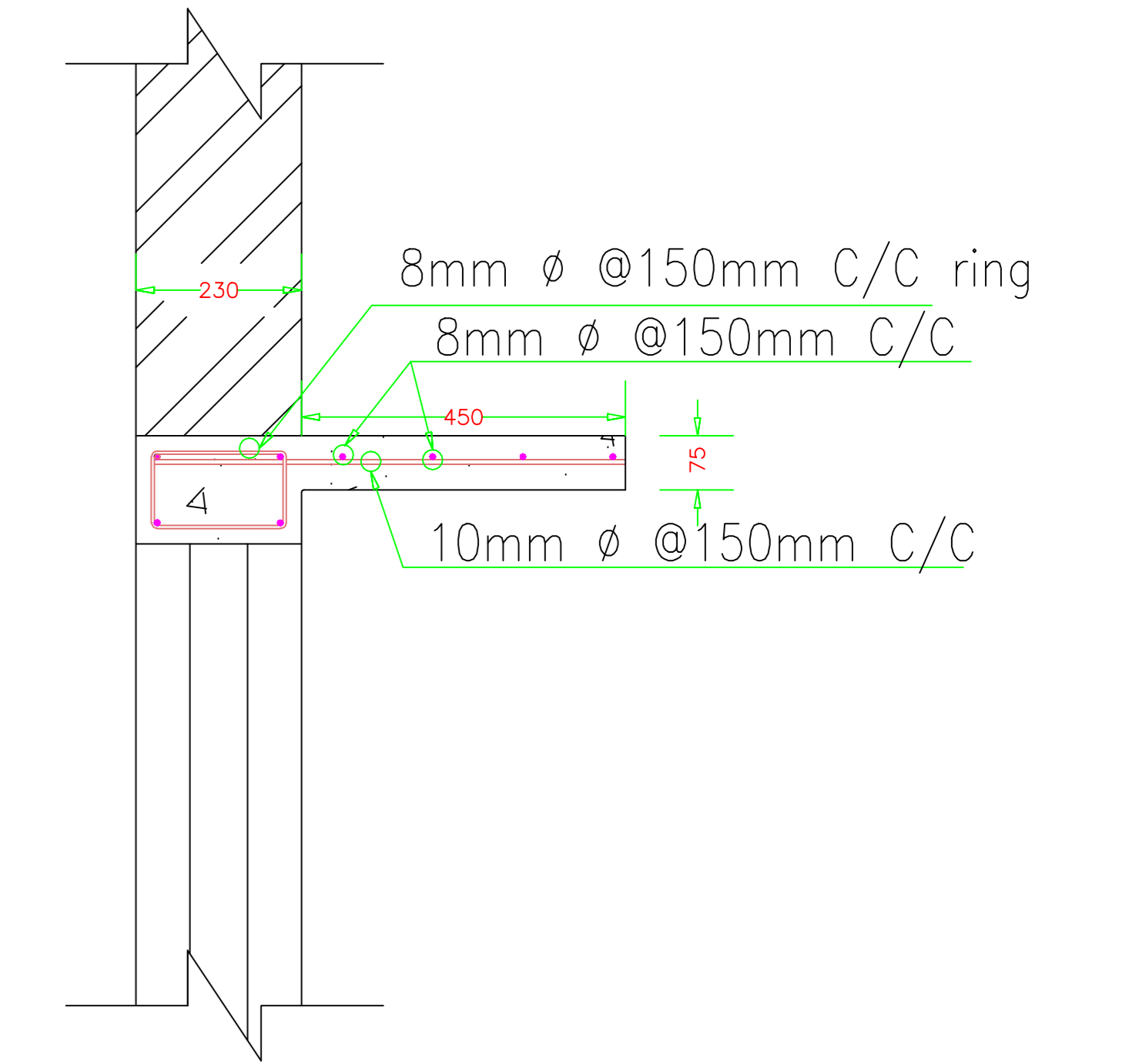


# STRUCTURAL DESIGN SAFETY DETAILS.



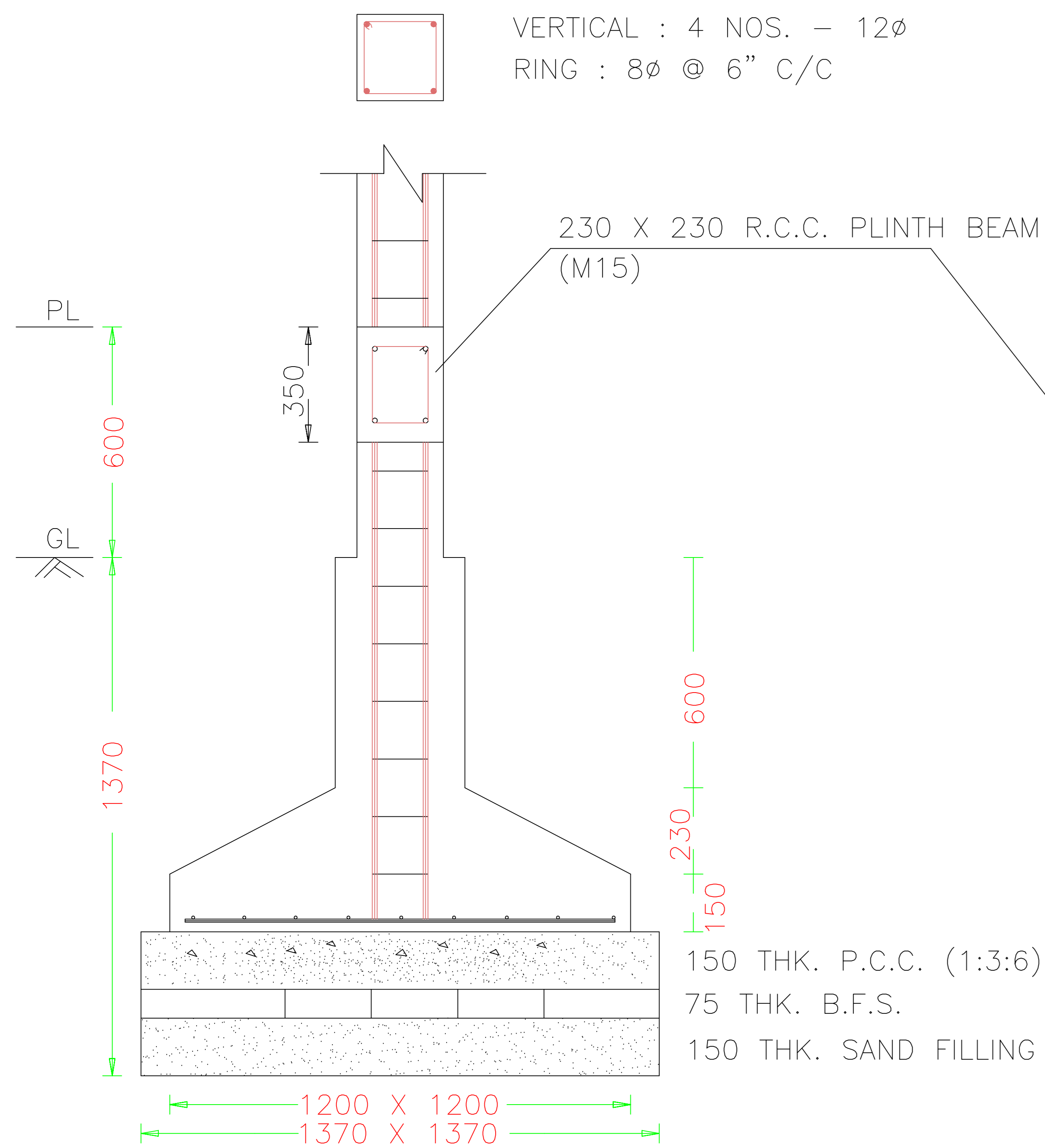
TYPICAL DET. OF R.C.C. SLAB

(Dim in mm)



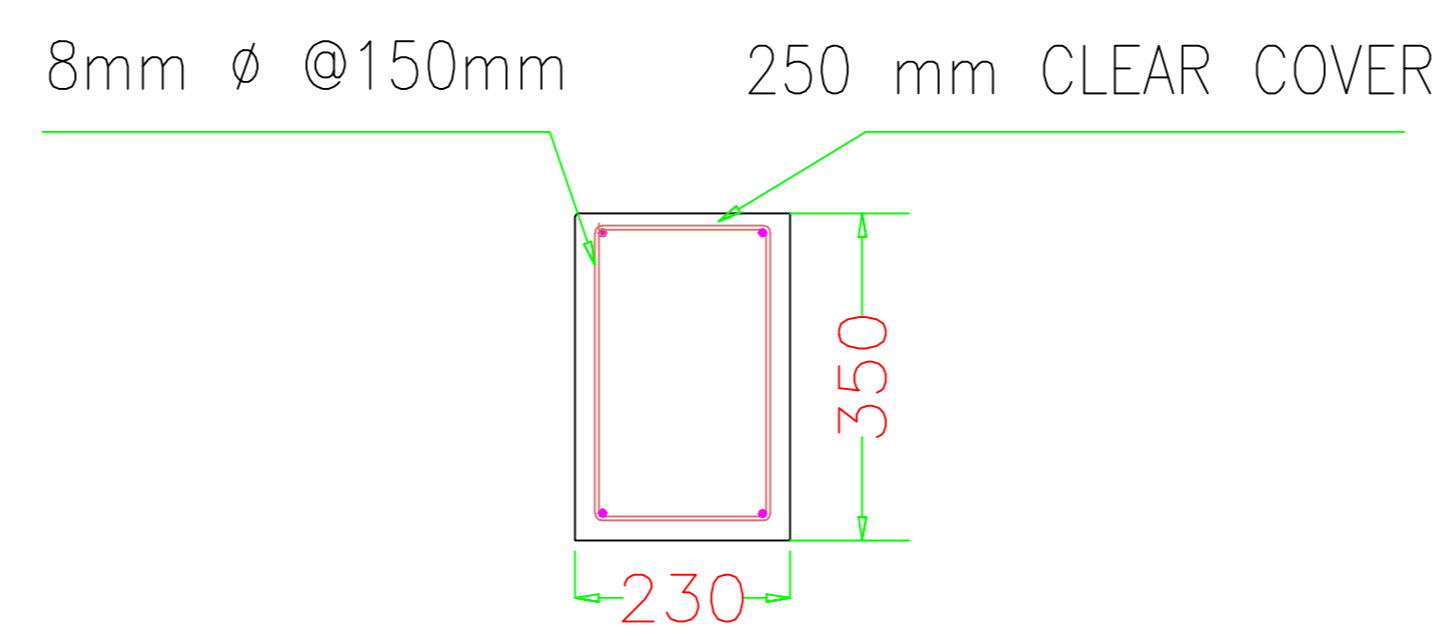
DET. OF R.C.C. CHAJJA

(Dim in mm)



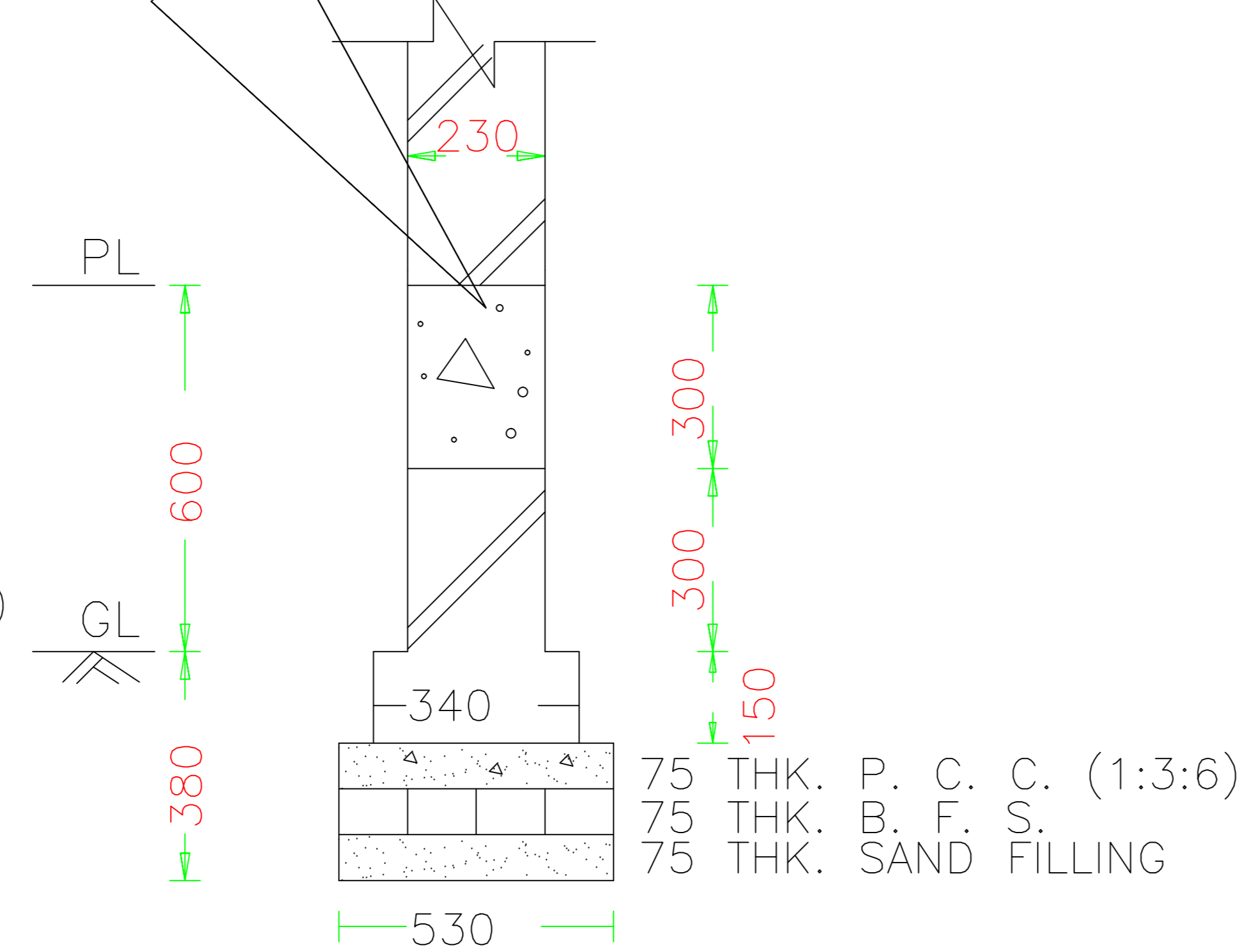
FOUNDATION DETAILS OF COLUMN

(Dim in mm)



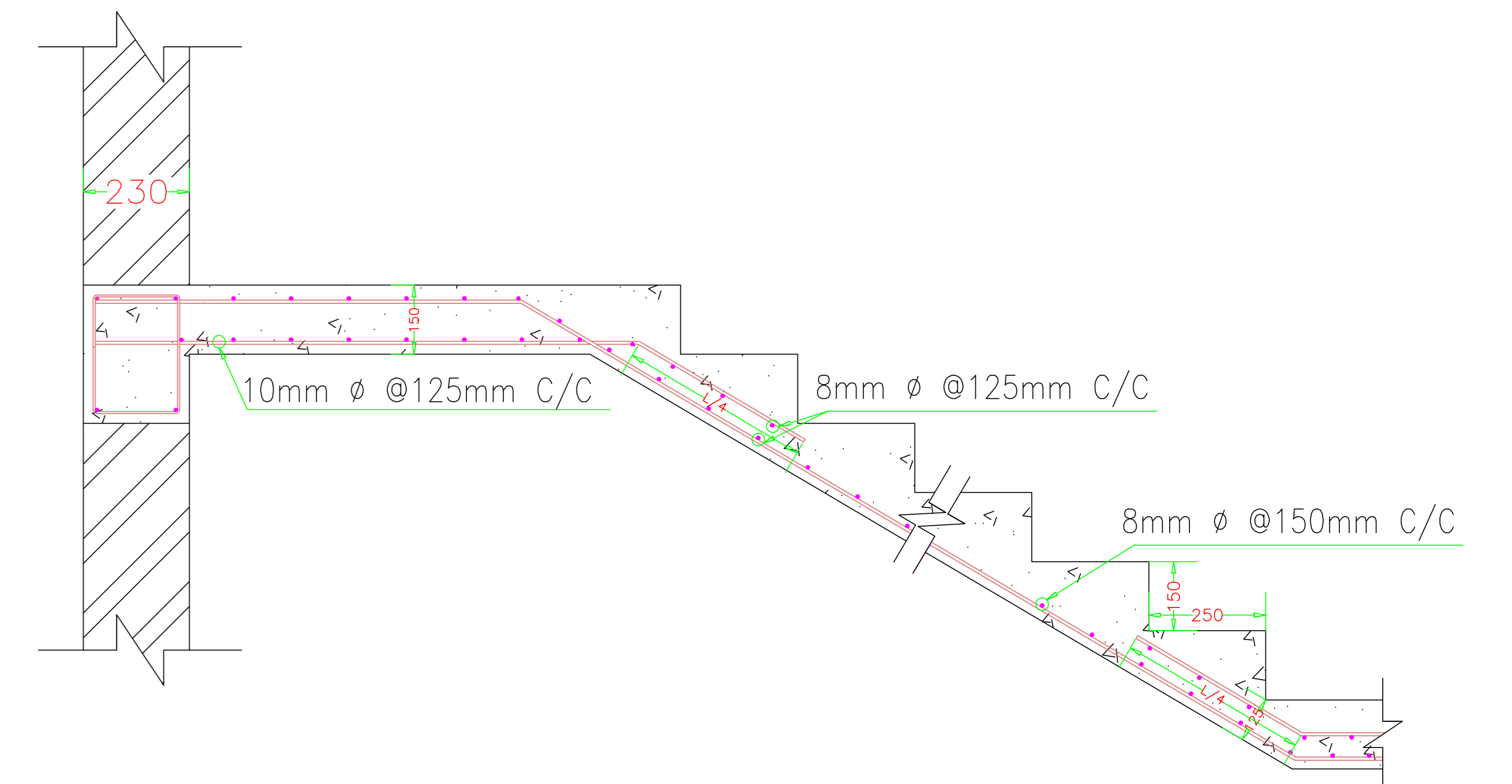
DET. OF R.C.C. BEAM

(Dim in mm)



FOUNDATION DETAILS OF WALL

(Dim in mm)



DET. OF R.C.C. SRAIR

(Dim in mm)

TITLE OF DRAWING

DRAWING OF PROPOSED RESIDENTIAL BUILDING OF Sri SHIV NANDAN PRASAD,  
S/O Sri BISHUN MISHTRY, UNDER MOUZA:- DHANBAD, MOUZA NO-51, KHATA  
NO -07, PLOT NO - 2360, P.S - DHANBAD, DIST-DHANBAD, IN THE STATE  
OF JHARKHAND.