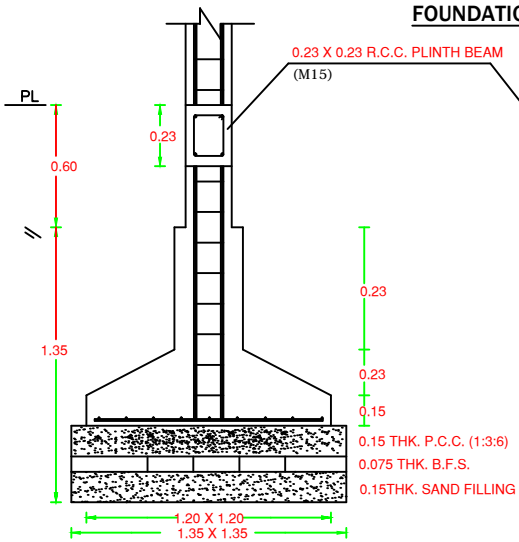
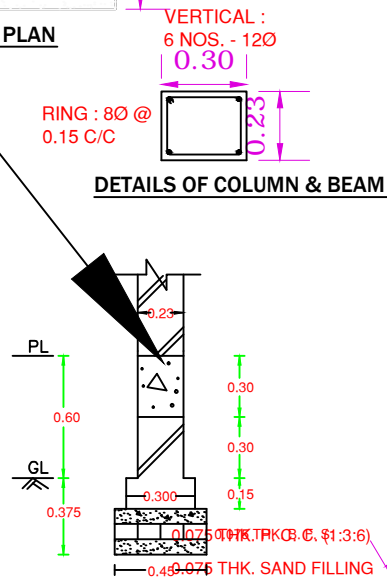


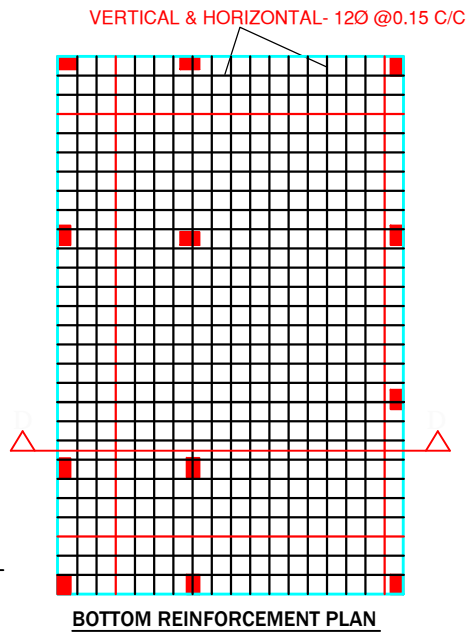
**FOUNDATION PLAN**



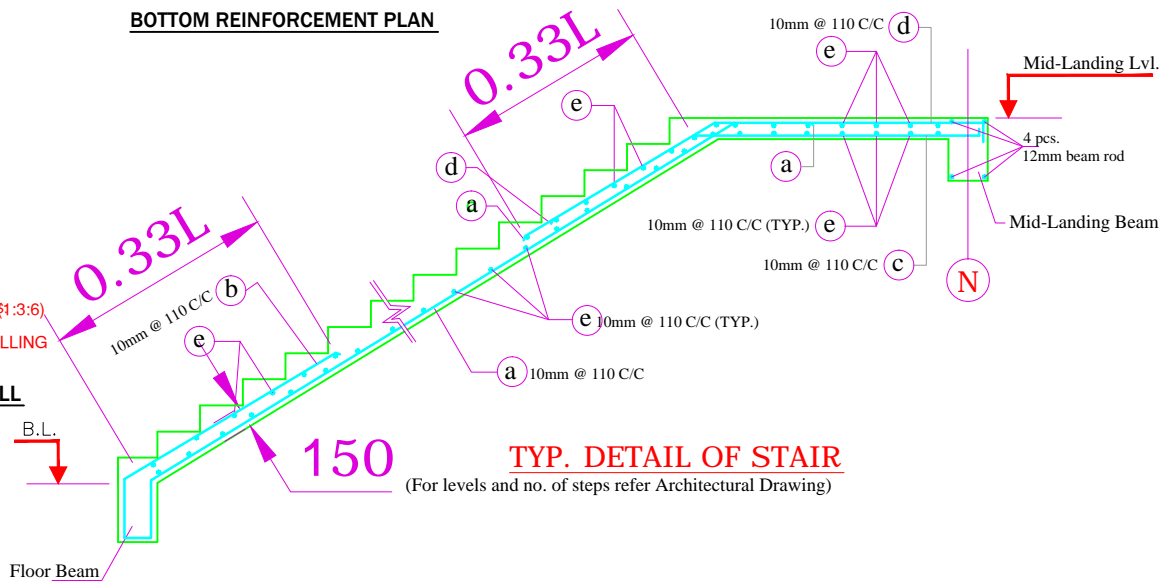
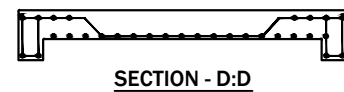
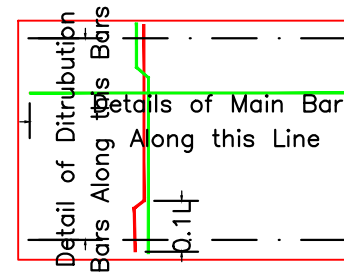
**FOUNDATION DETAILS OF COLUMN**



**FOUNDATION DETAILS OF WALL**



**BOTTOM REINFORCEMENT PLAN**



**TYP. DETAIL OF STAIR**

(For levels and no. of steps refer Architectural Drawing)