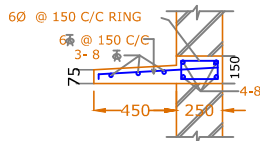
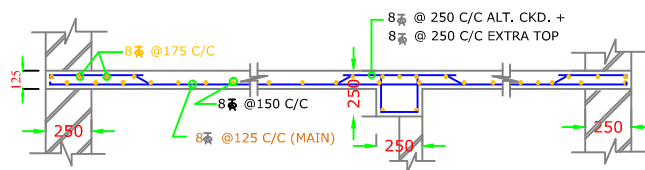


DET. OF R.C.C. COLUMN FOUNDATION



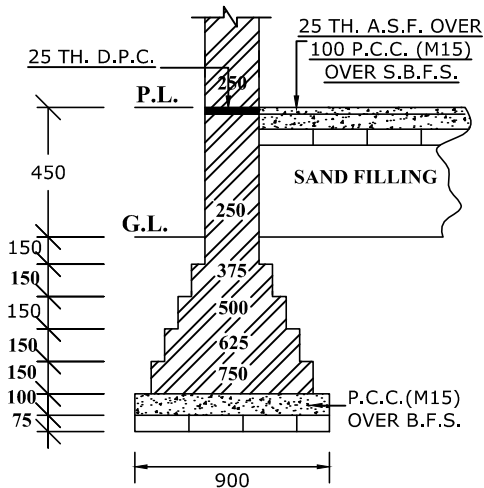
DET OF CHAJJA

SCALE-1:25



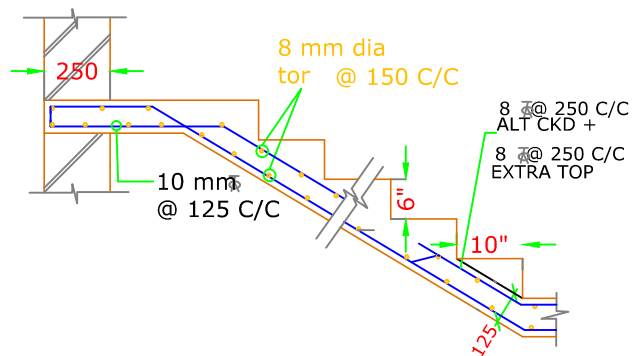
TYPICAL DET. R.C.C. SLAB

(Dim in mm)



EXIS. DET. OF MAIN WALL FOUNDATION

SCALE-1:50 (Dim in mm)



DET OF R.C.C. STAIR

(Dim in mm)