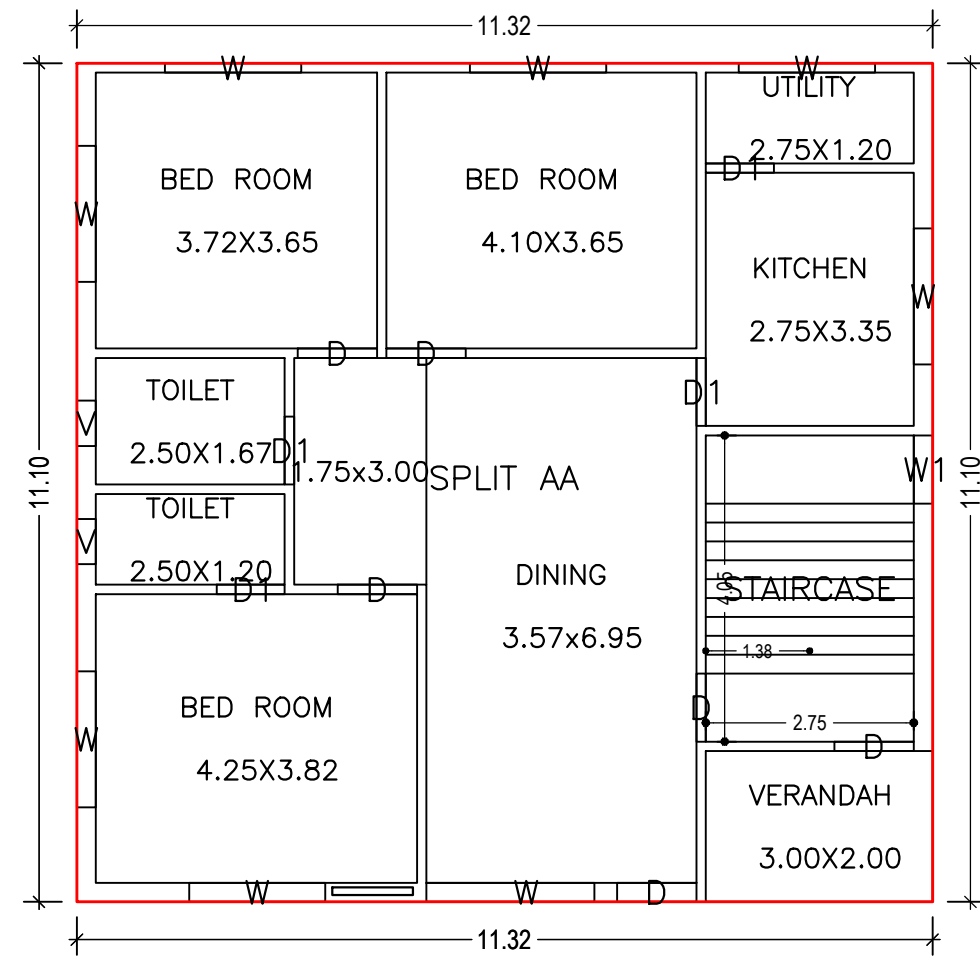
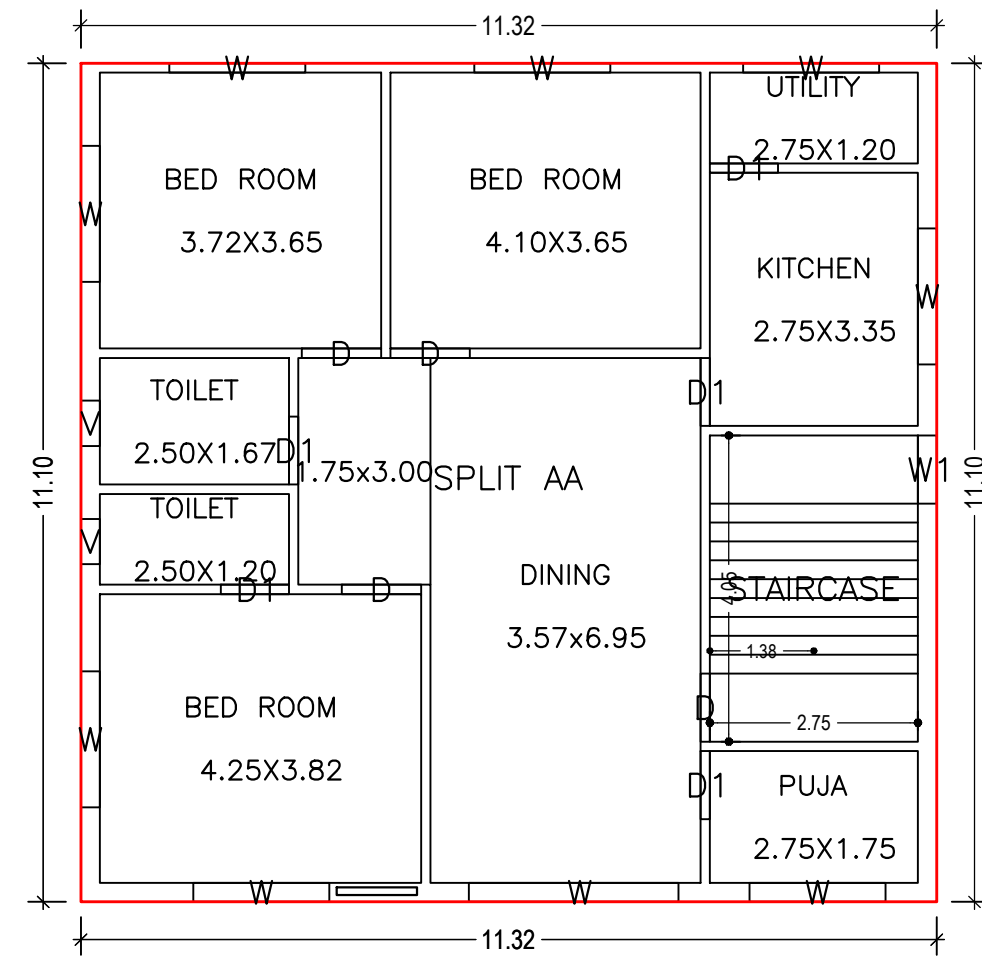


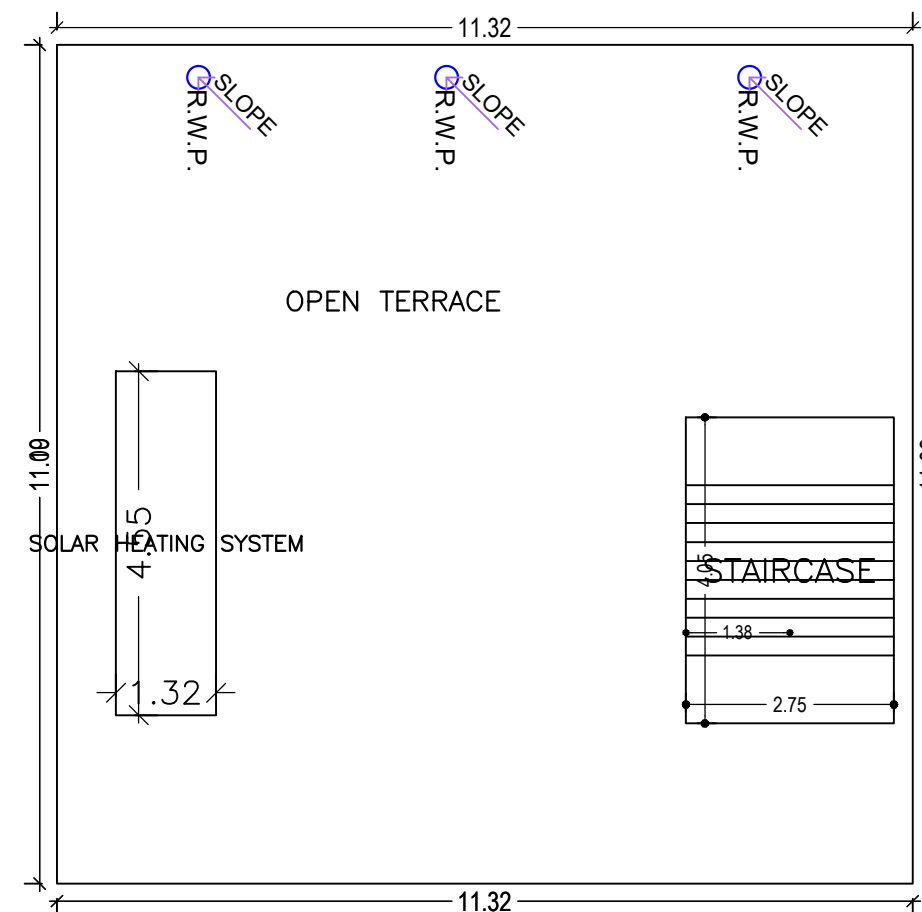
Proposal Basic Information	
Proposal File No.	DMC/BP/0039/W23/2/22
Owner Name	SMT. SUNANDA KUMARI.
Khata No	03 (Old), 427 (New)
Plot No	1554 (Old), 1448 (New)
Village Name	Kolakusma
Use	Residential
SubUse	Bungalow/ Dwelling / Non Apartment



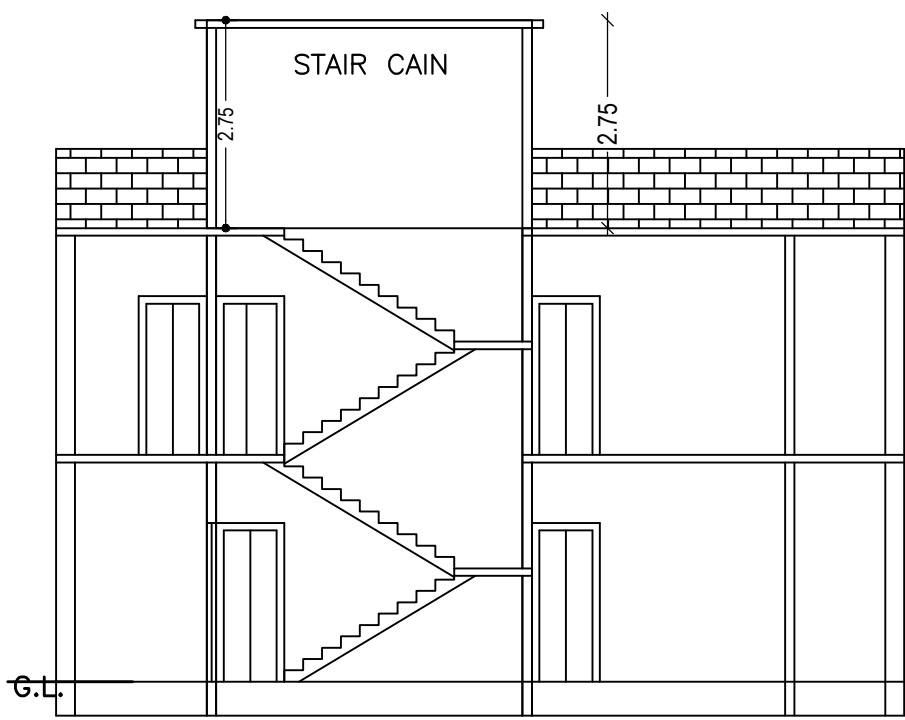
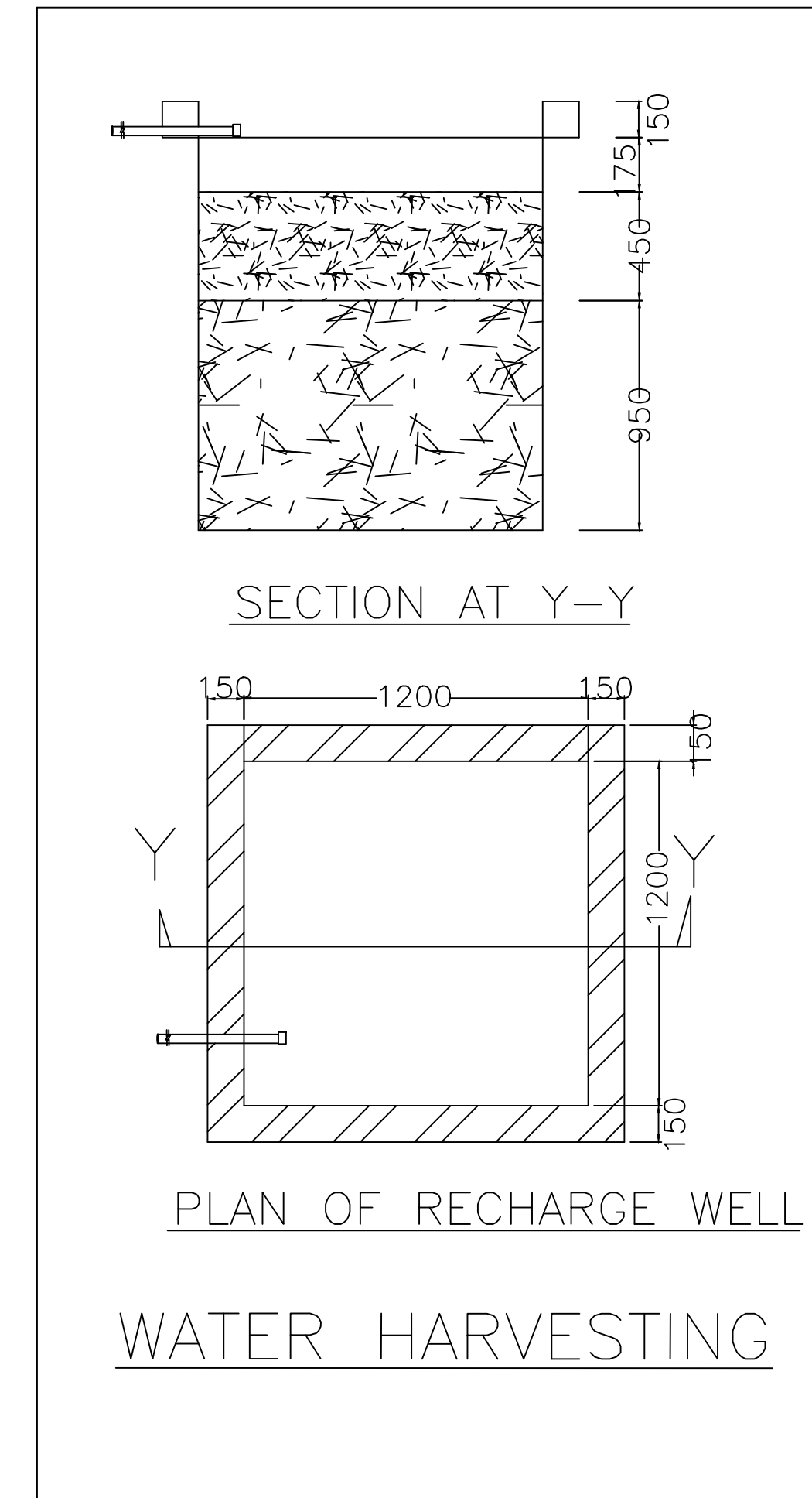
GROUND FLOOR PLAN
(Proposed)
(SCALE 1:100)



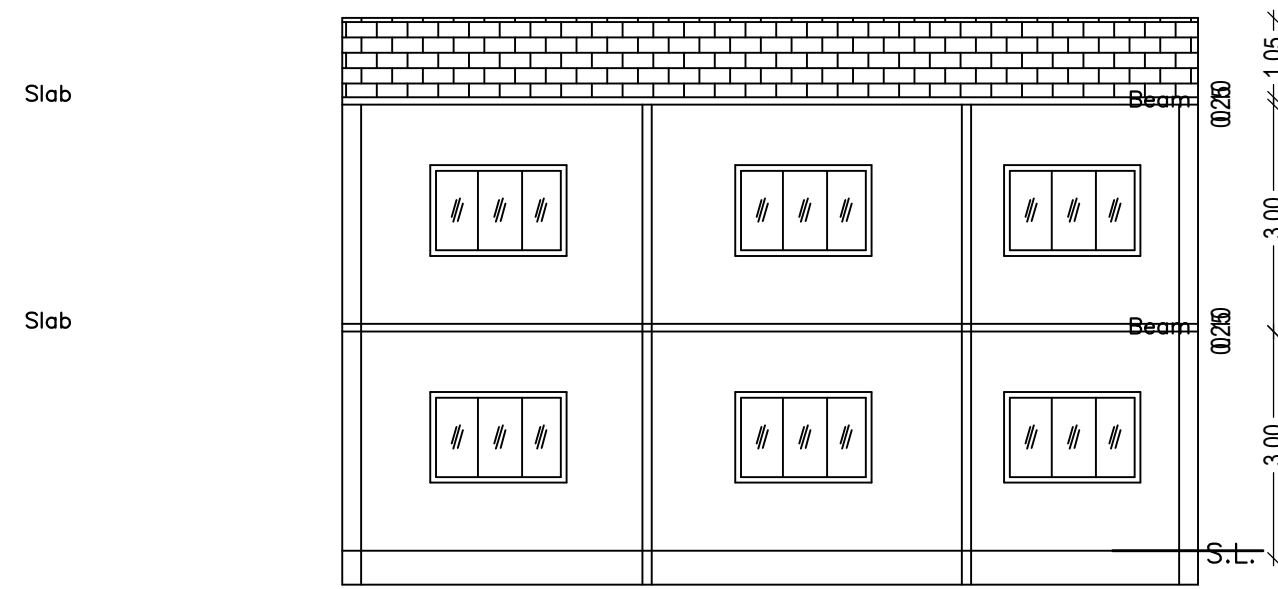
FIRST FLOOR PLAN
(Proposed)
(SCALE 1:100)



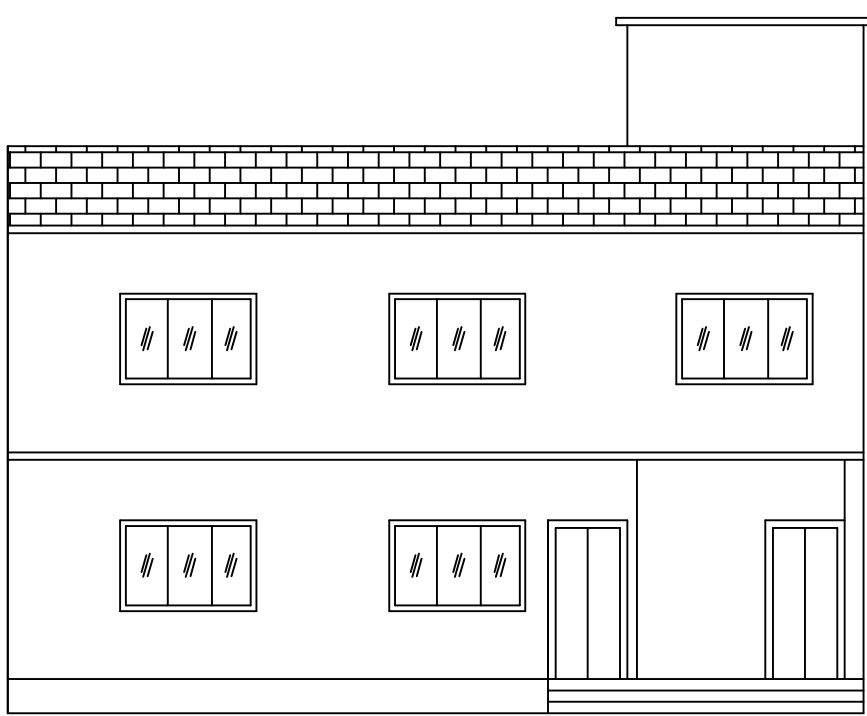
TERRACE FLOOR PLAN
(SCALE 1:100)



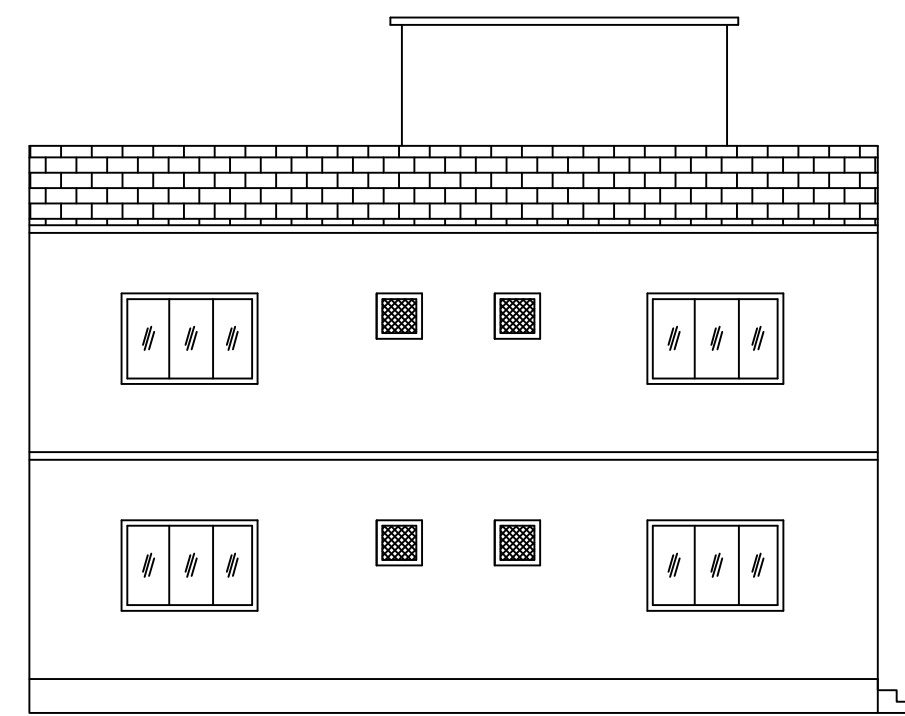
SECTION ON X-X



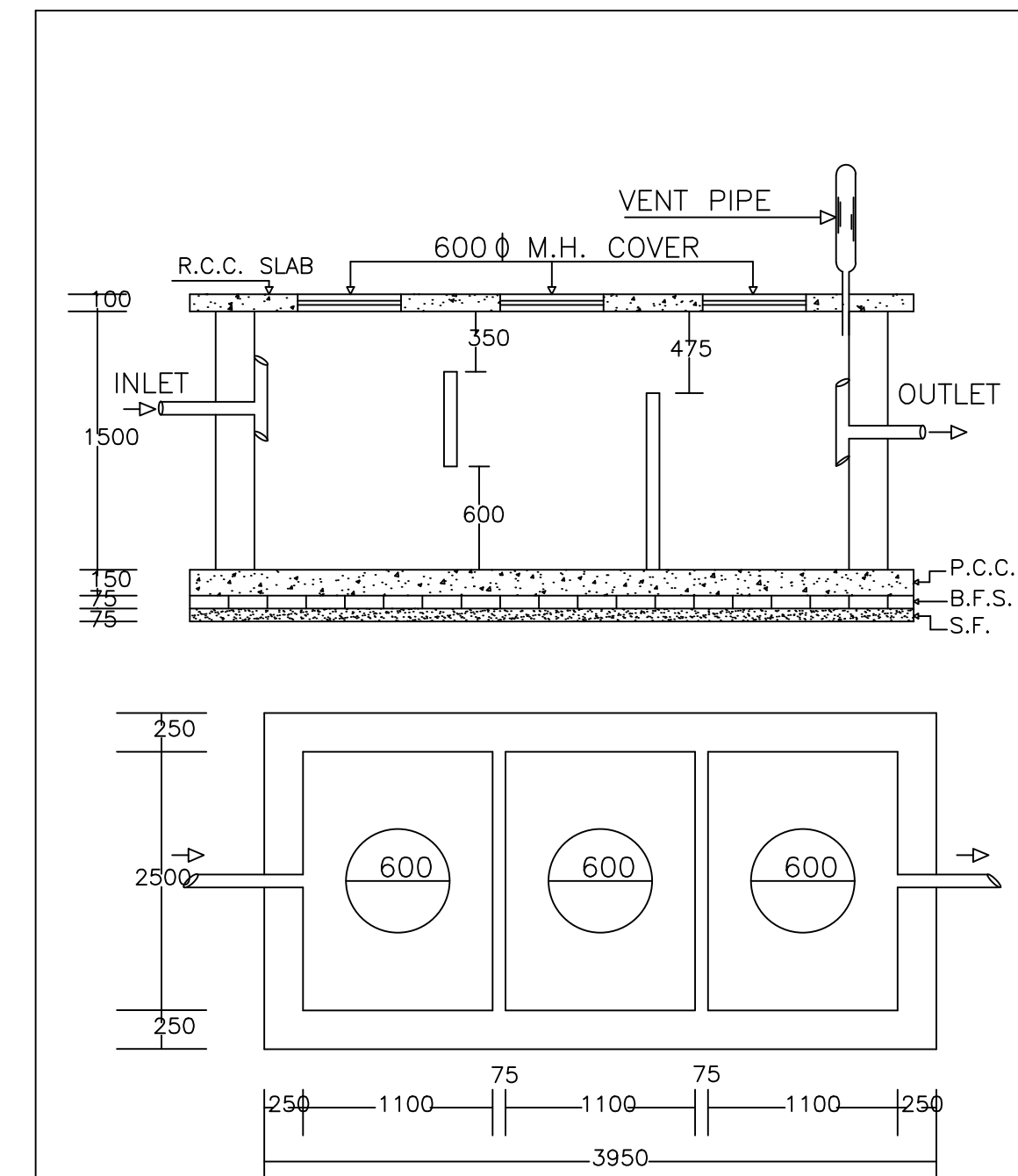
SECTION ON Y-Y



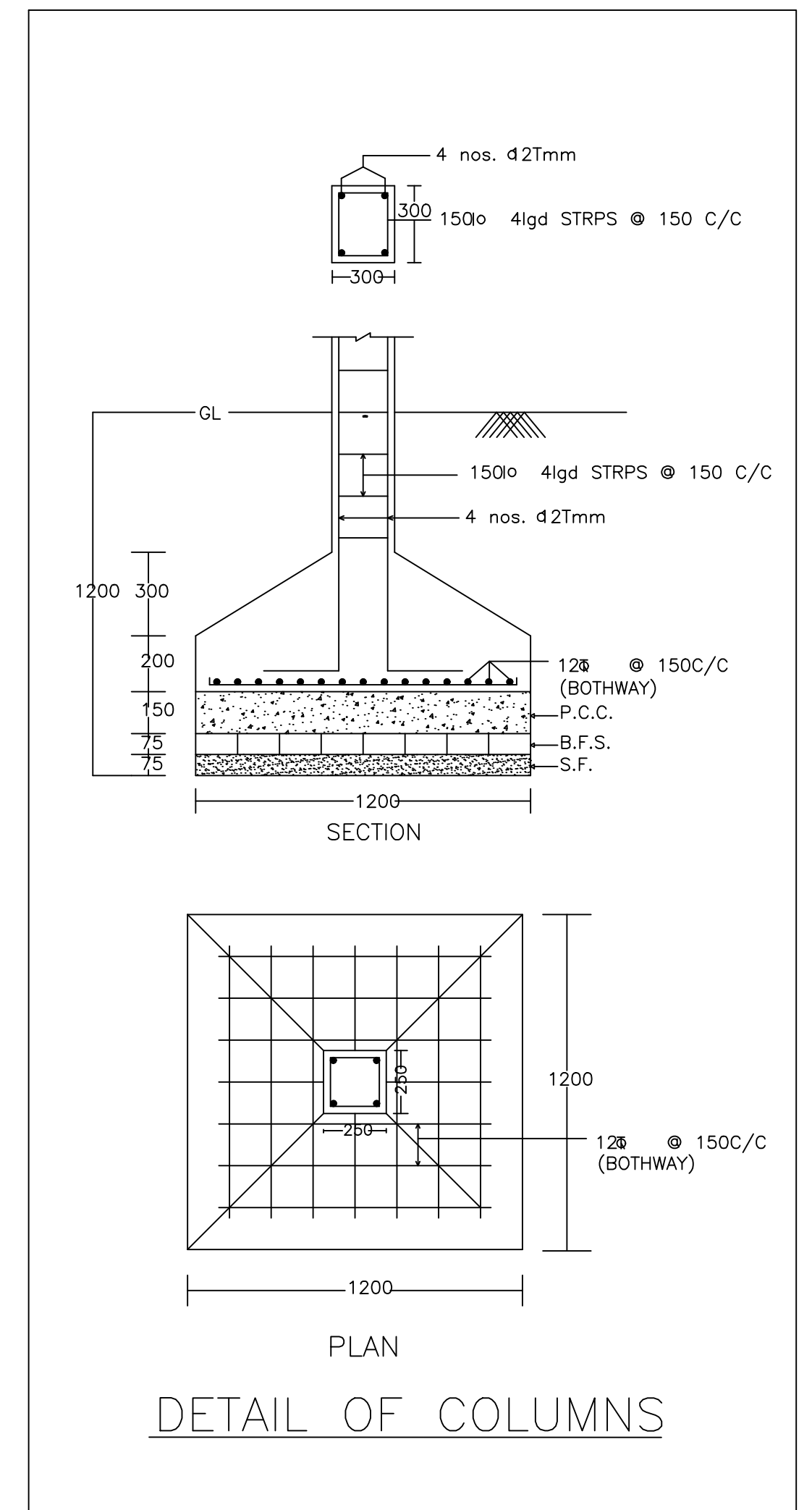
FRONT ELEVATION



LEFT SIDE ELEVATION



PLAN OF SEPTIC TANK



DETAIL OF COLUMNS

LTP NAME AND SIGNATURE	STRUCTURAL ENG'S NAME AND SIGNATURE	BUILDER NAME AND SIGNATURE	DIGITAL SIGNATURE
PARTHA - PAL DMC/ENG/0021/2016			