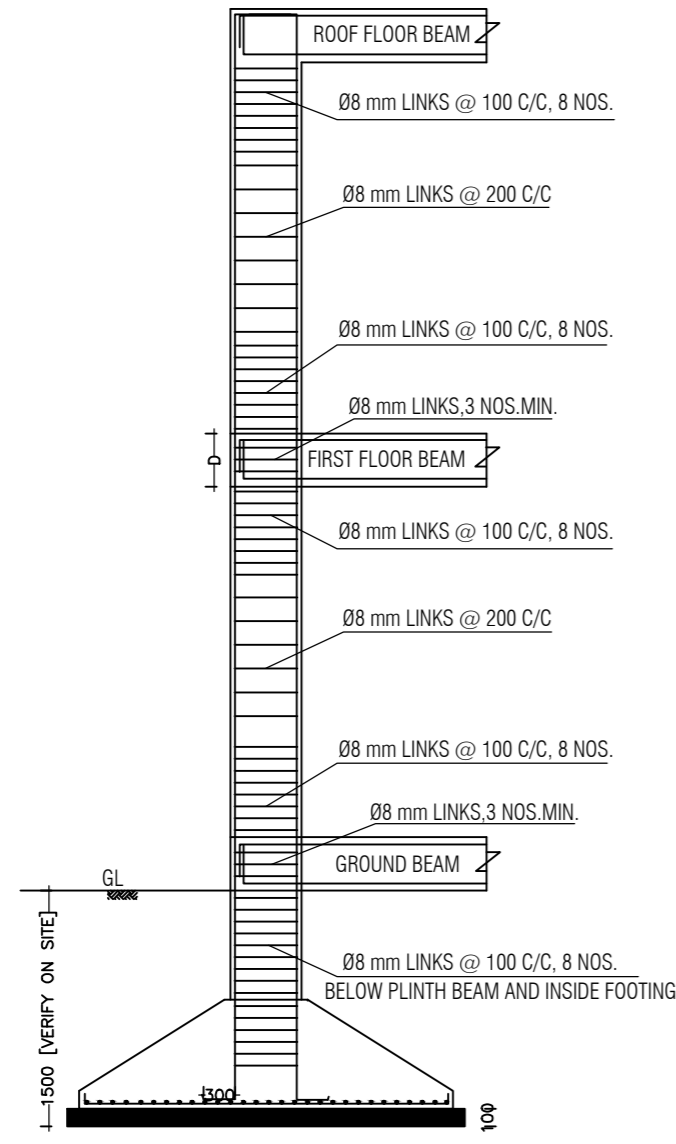
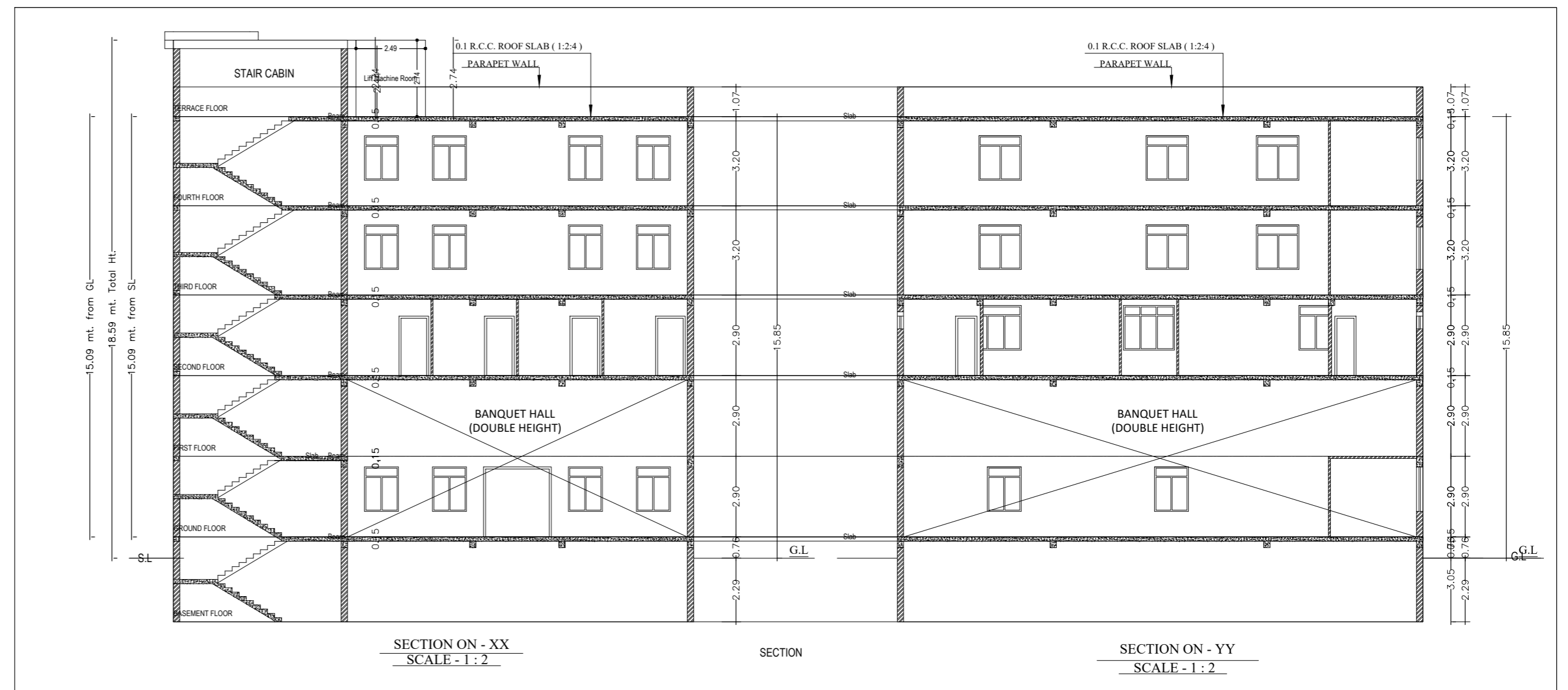


TYP. DETAILS OF FOOTING F2-M25



TYPICAL DETAILS OF CONFINING REINF. IN COLUMN



Structure Detail

***DETAILS OF COLUMN FOOTING**