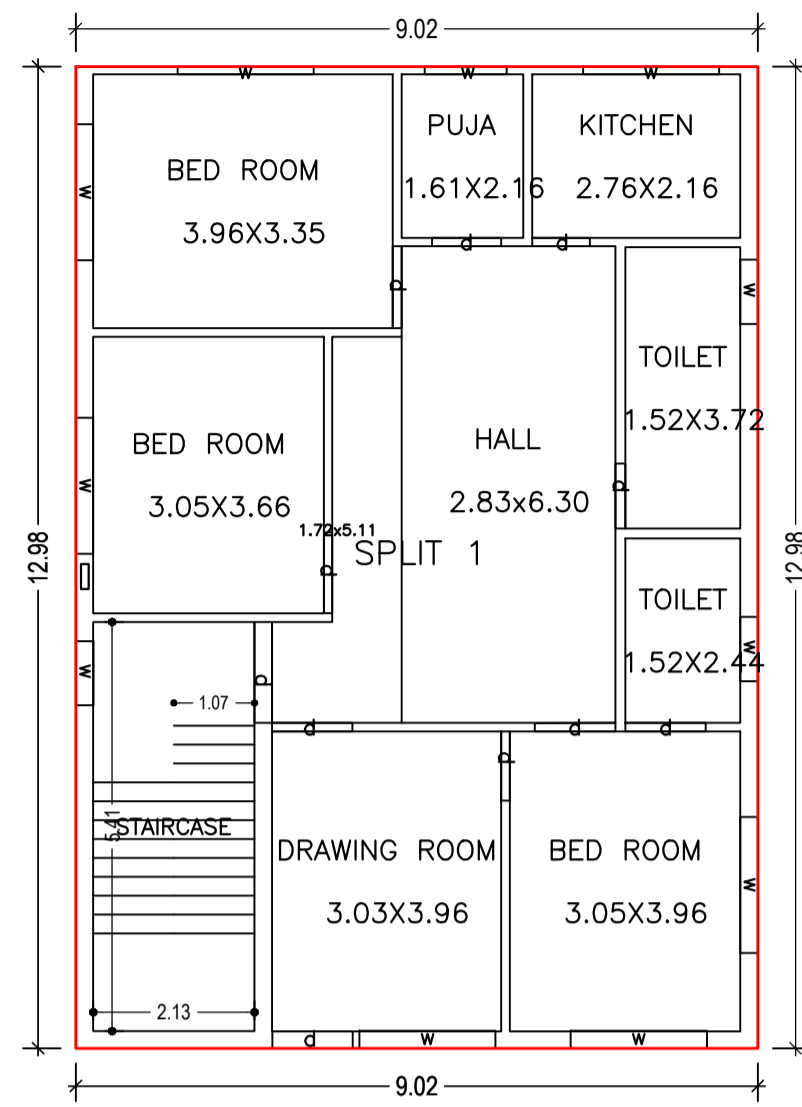
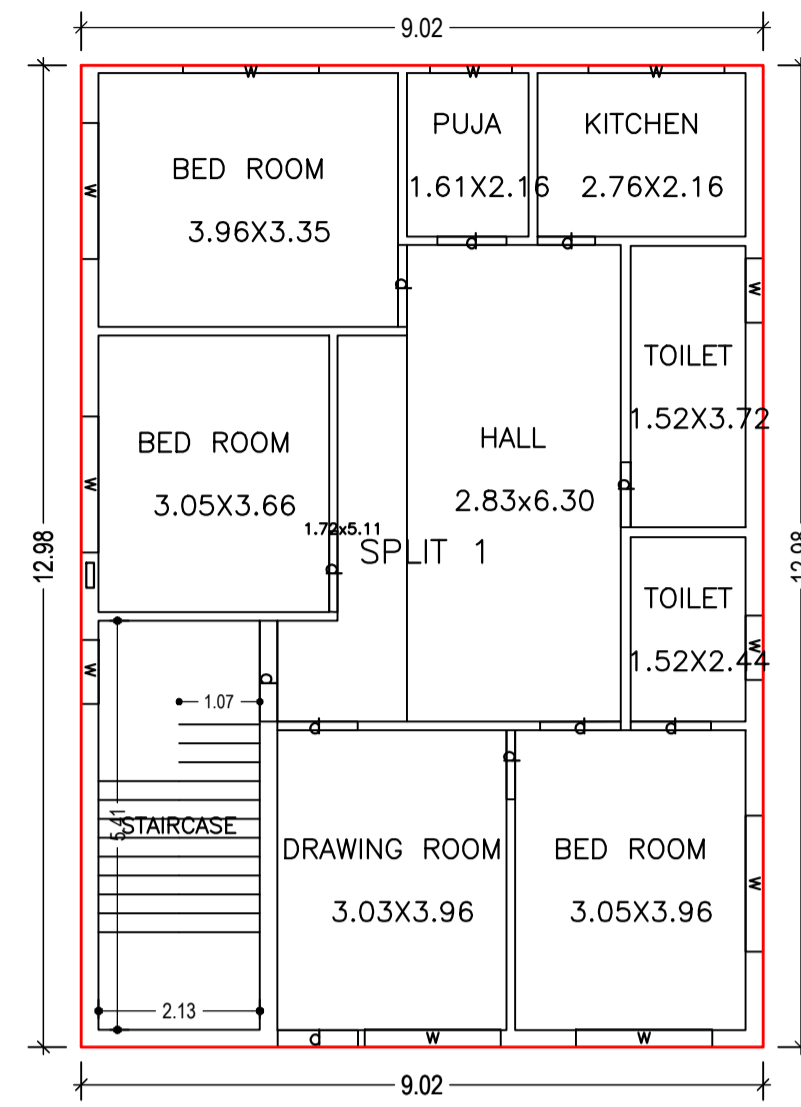




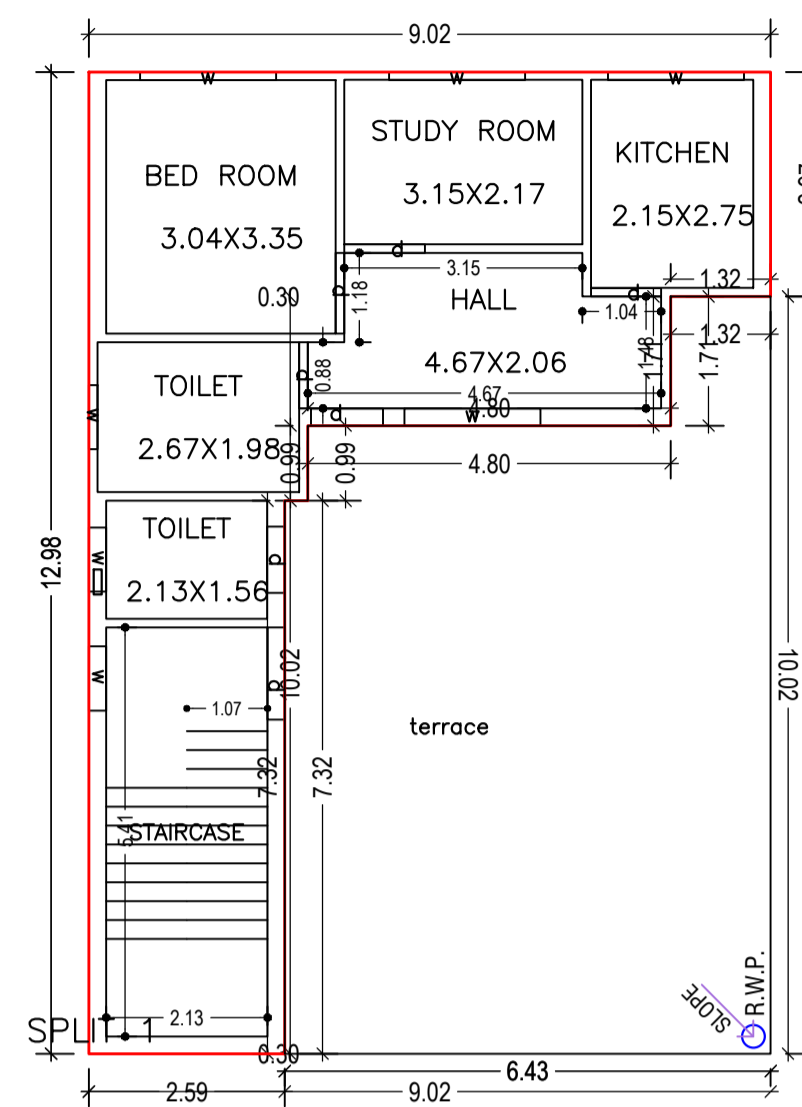
Proposal Basic Information	
Proposal File No.	DMC/BP/0203/W23/2022
Owner Name	SMT. MALTI DEVI.
Khata No	22 (OLD), 12 (NEW)
Plot No	29 (OLD), 29 (NEW)
Village Name	Amaghata
Use	Residential
SubUse	Bungalow/ Dwelling / Non Apartment



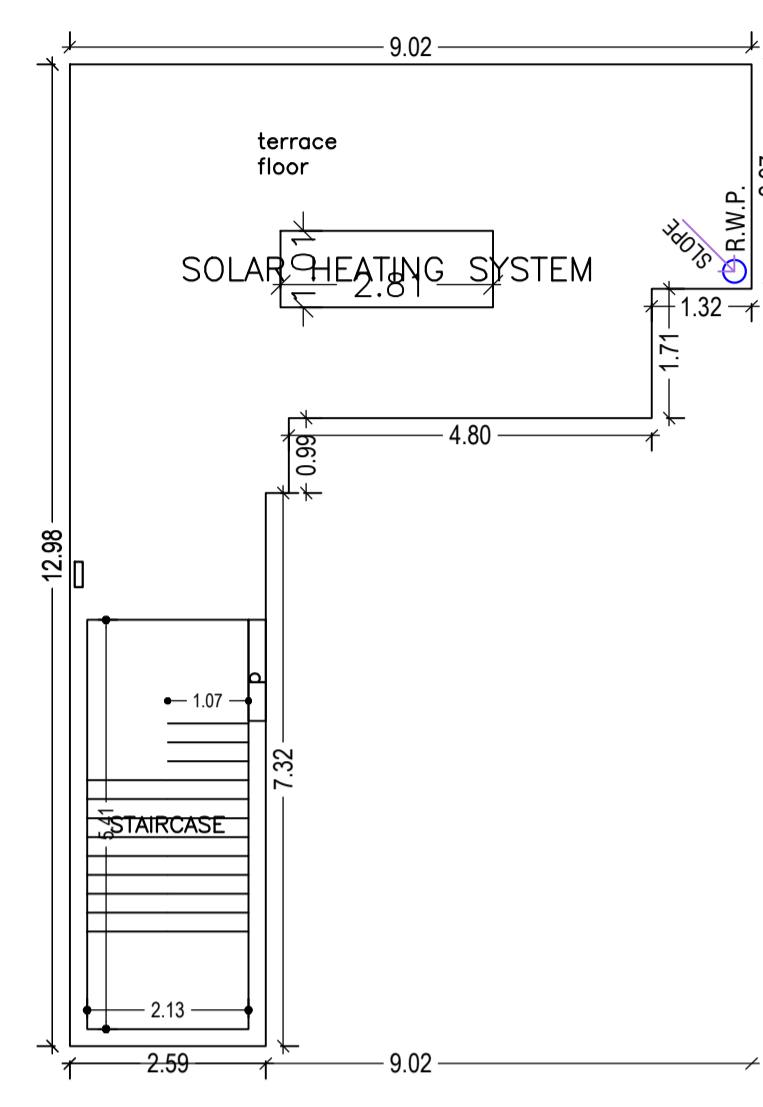
GROUND FLOOR PLAN  
(Proposed)  
(SCALE 1:100)



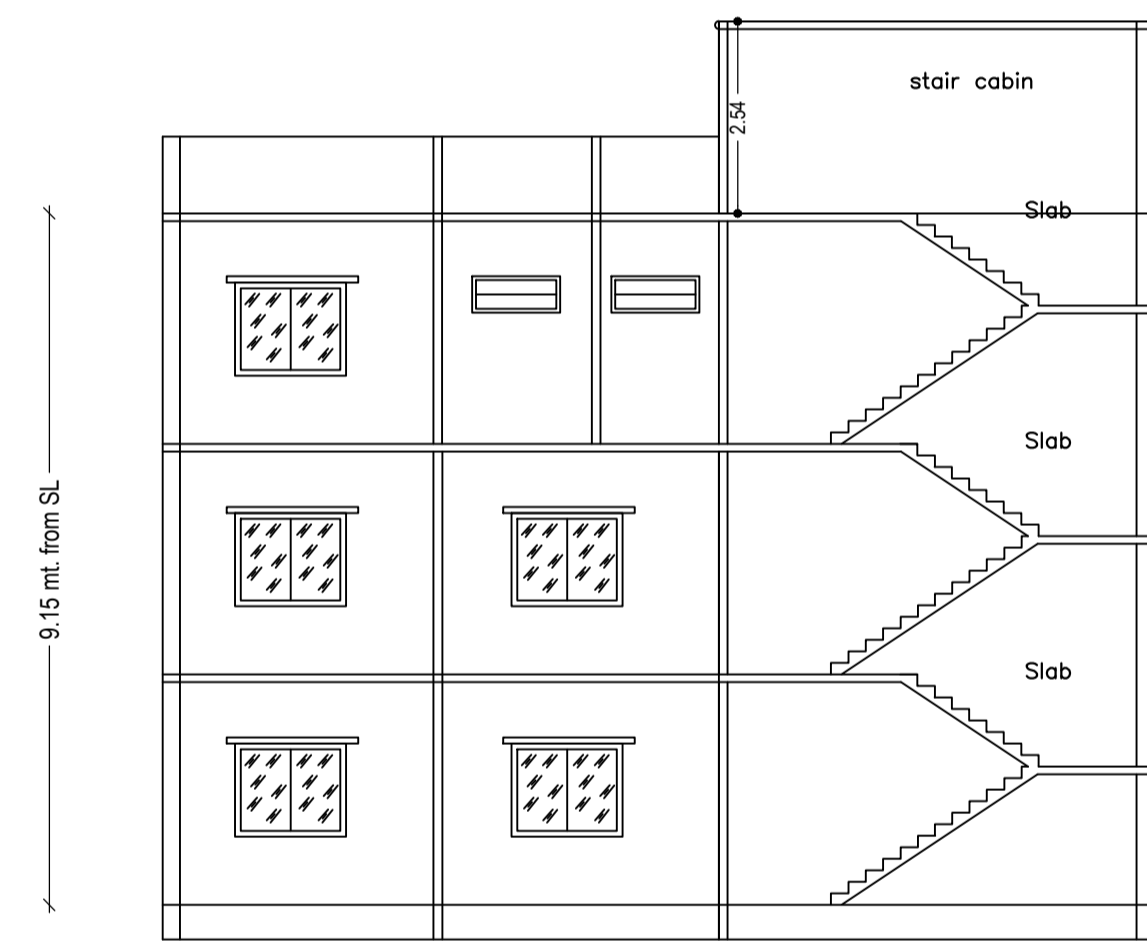
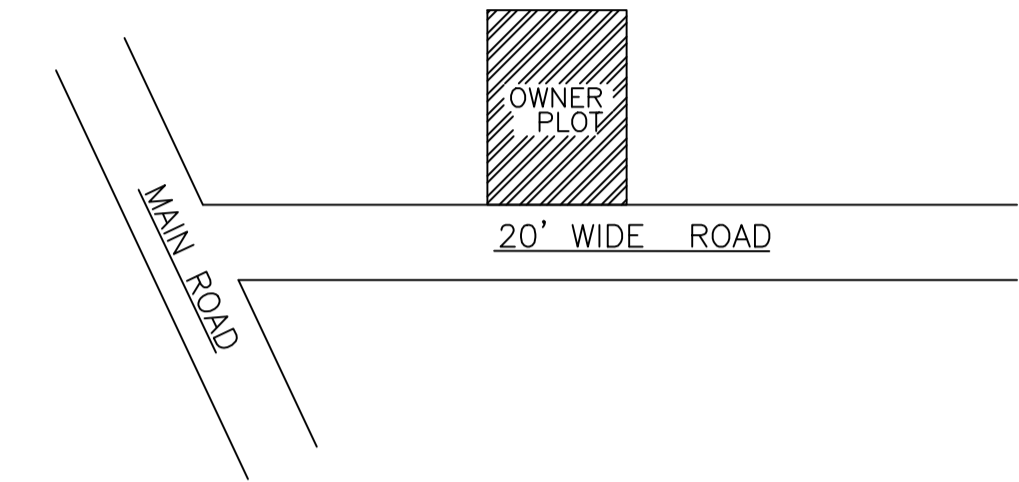
FIRST FLOOR PLAN  
(Proposed)  
(SCALE 1:100)



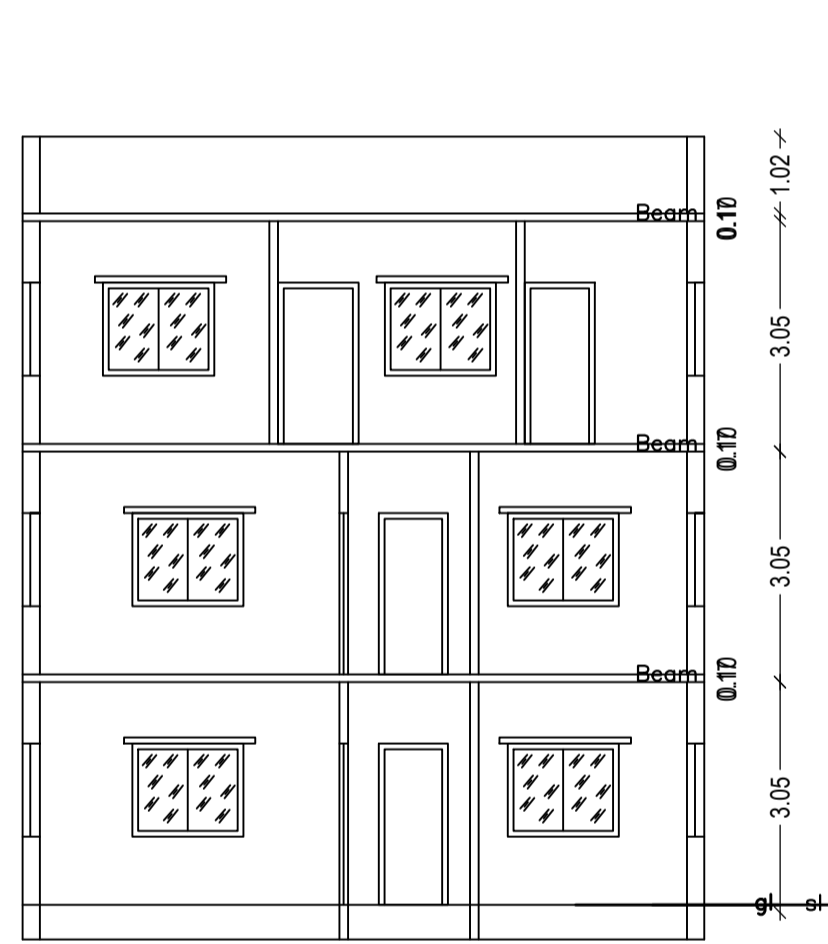
SECOND FLOOR PLAN  
(Proposed)  
(SCALE 1:100)



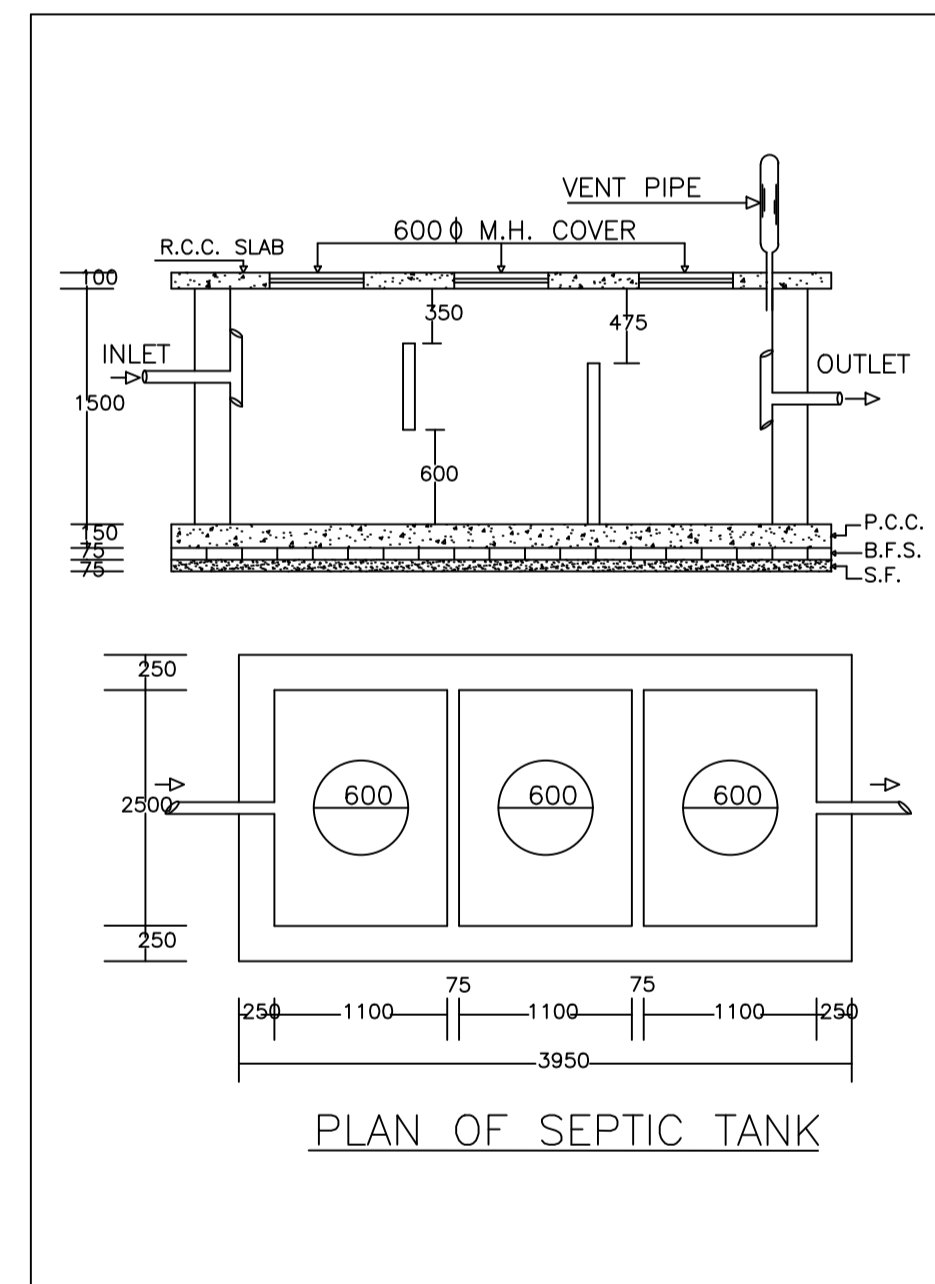
TERRACE FLOOR PLAN  
(SCALE 1:100)



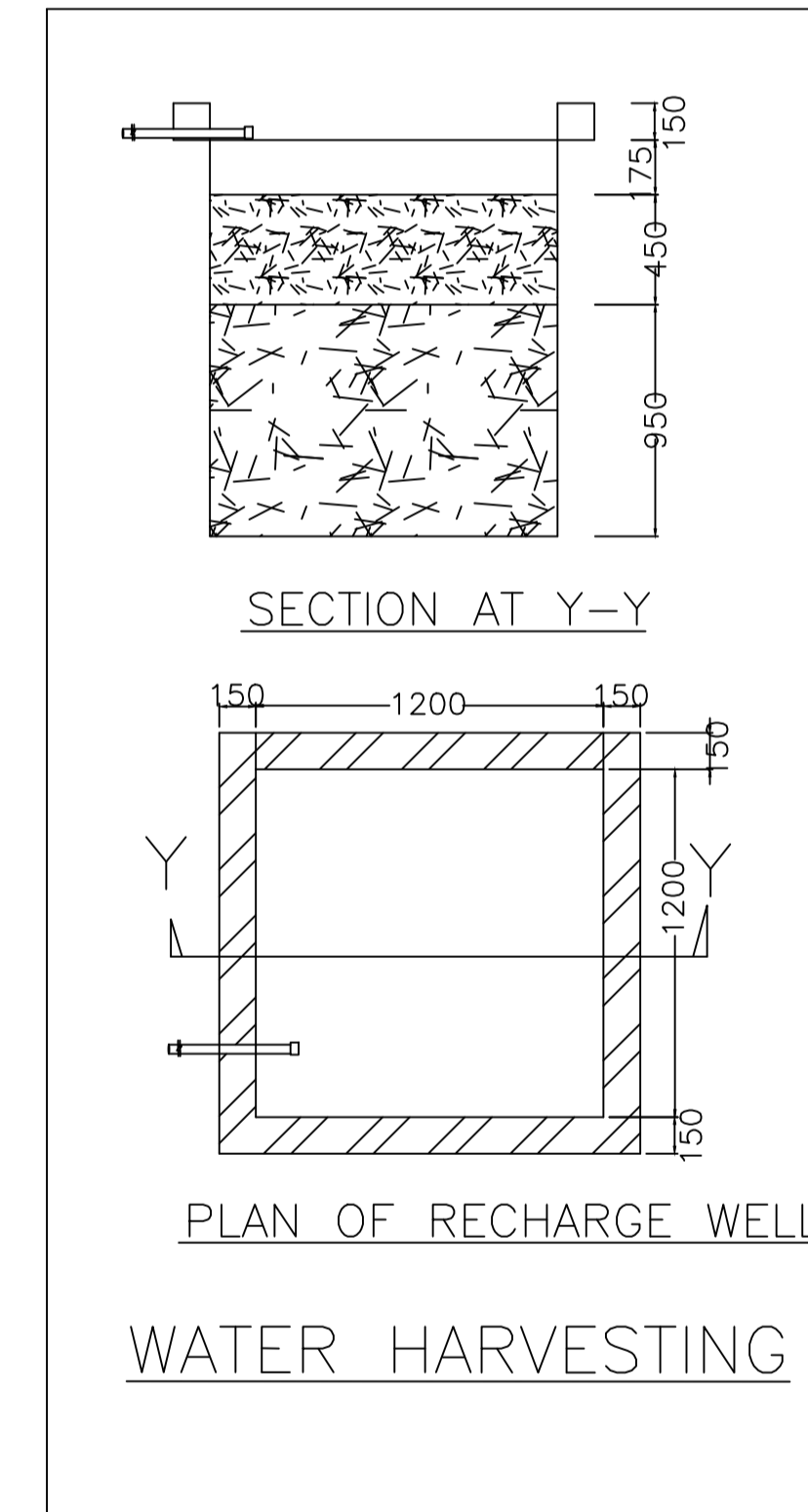
SECTION ON X-X



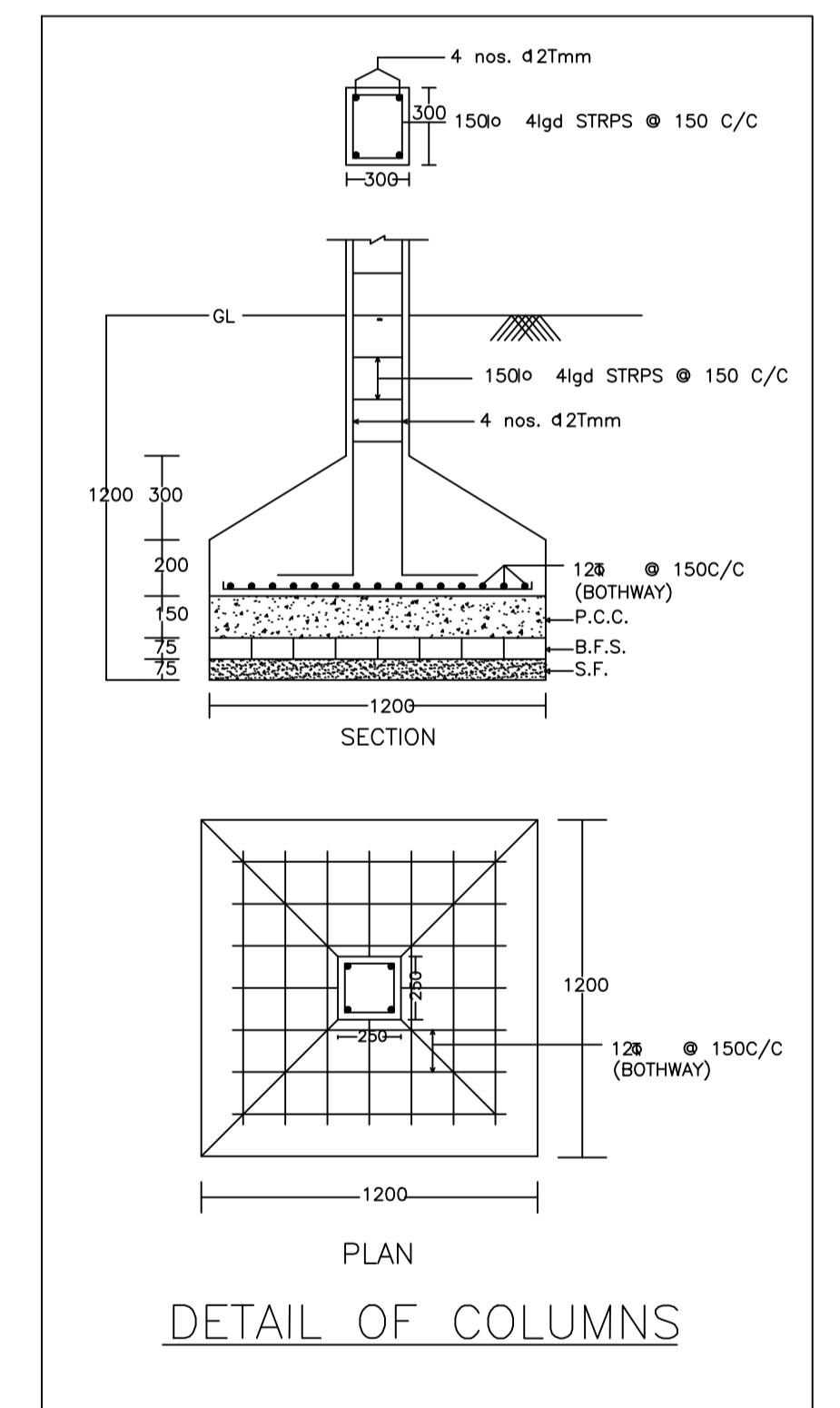
SECTION ON Y-Y



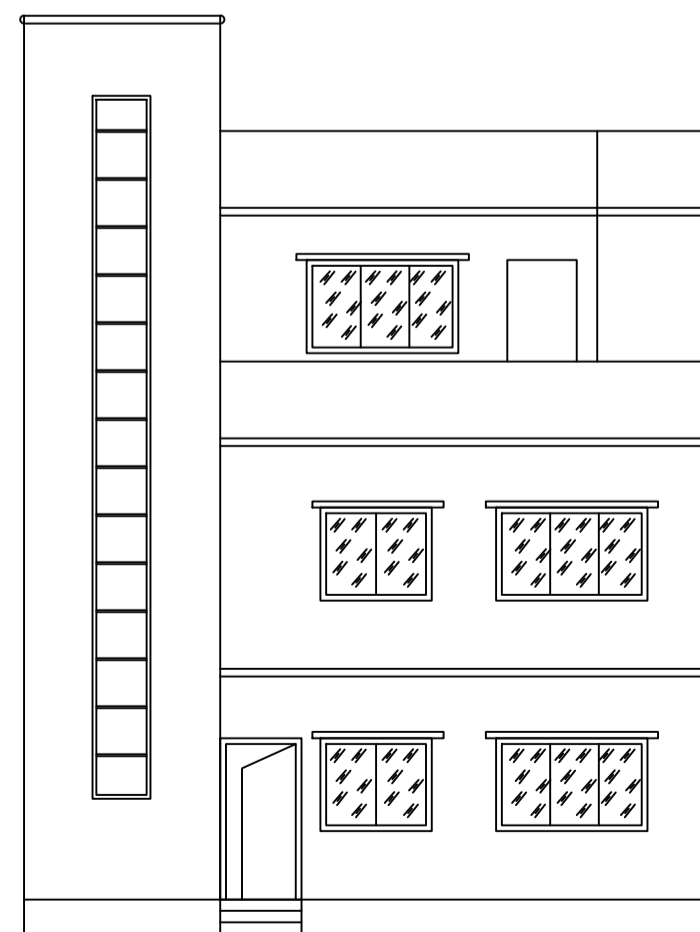
PLAN OF SEPTIC TANK



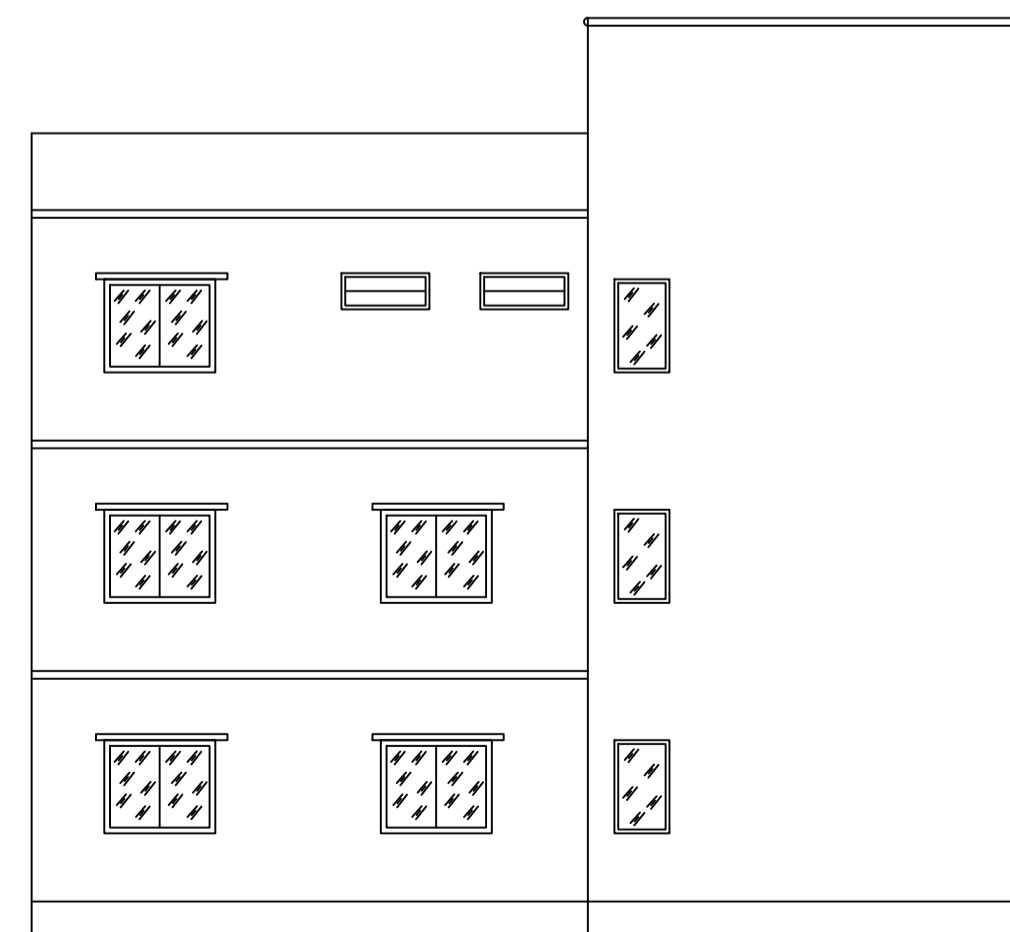
WATER HARVESTING



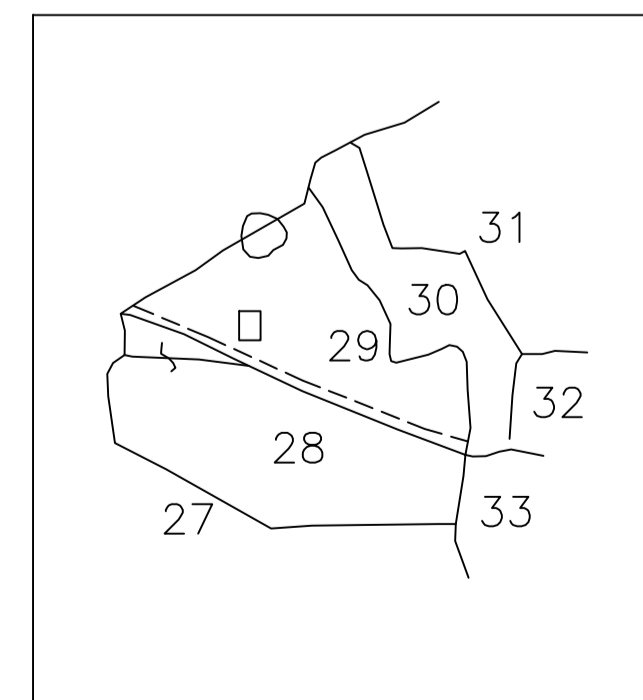
DETAIL OF COLUMNS



FRONT ELEVATION



RIGHT SIDE ELEVATION



LTP NAME AND SIGNATURE	STRUCTURAL ENG'S NAME AND SIGNATURE	BUILDER NAME AND SIGNATURE	DIGITAL SIGNATURE
PARTHA PAL DMC/ENG/0021/2016			