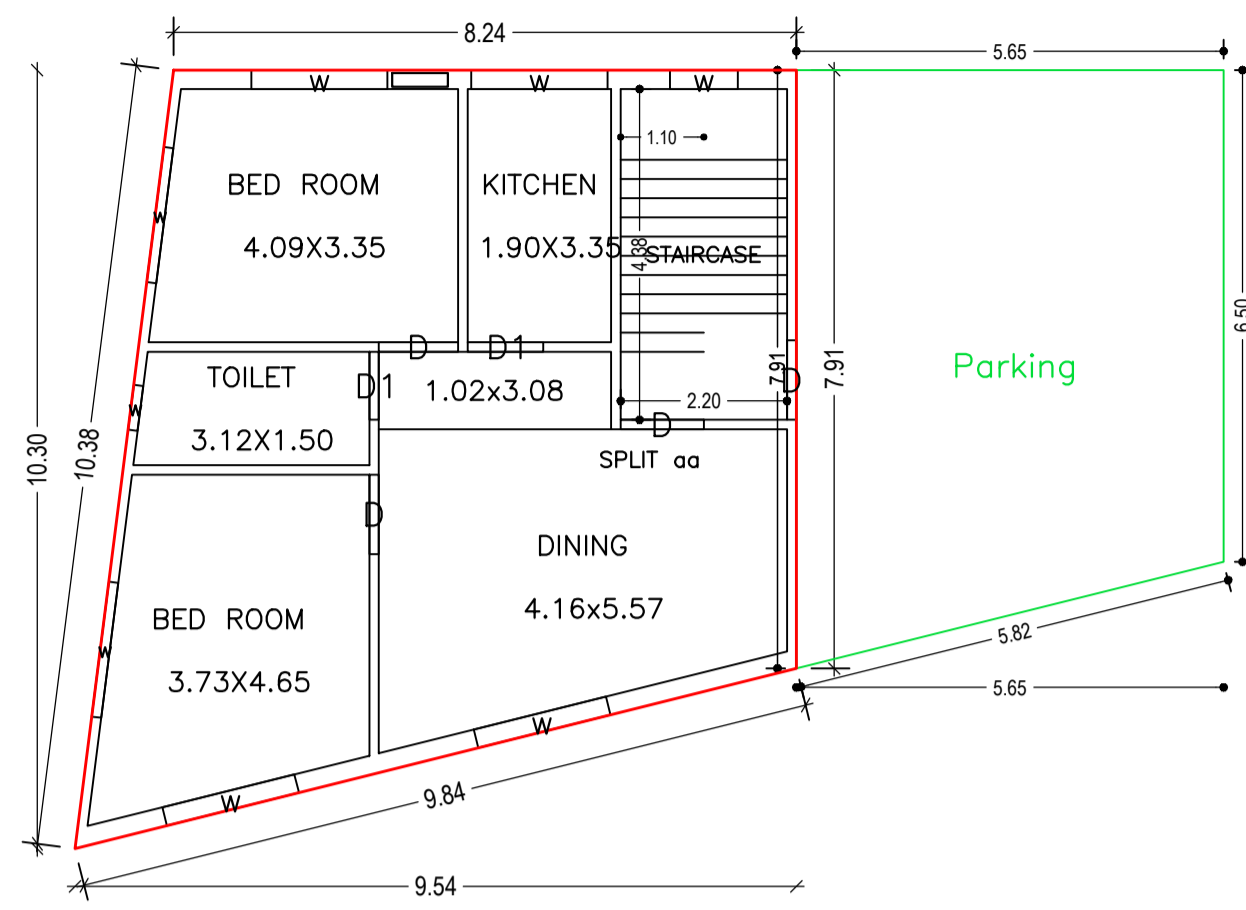
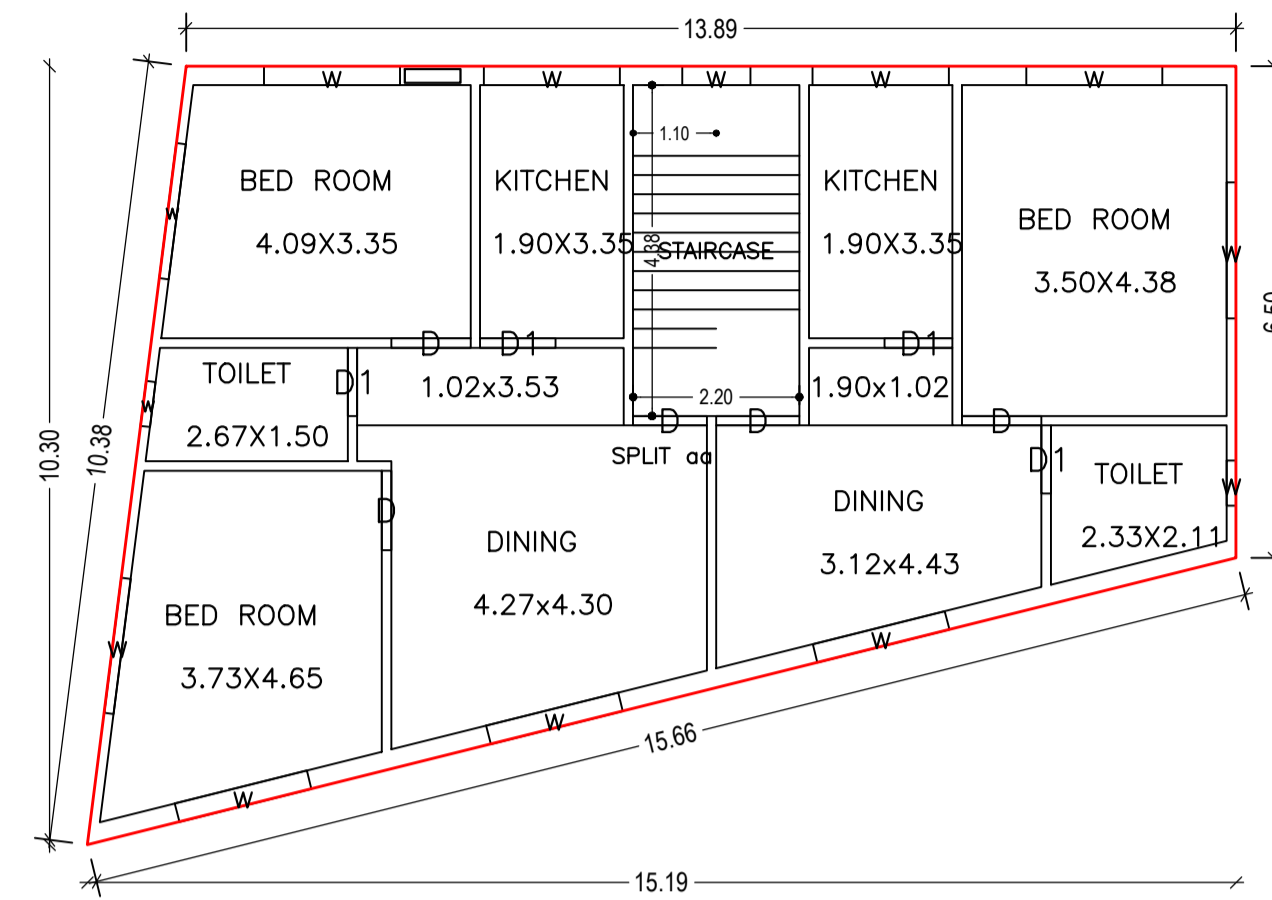




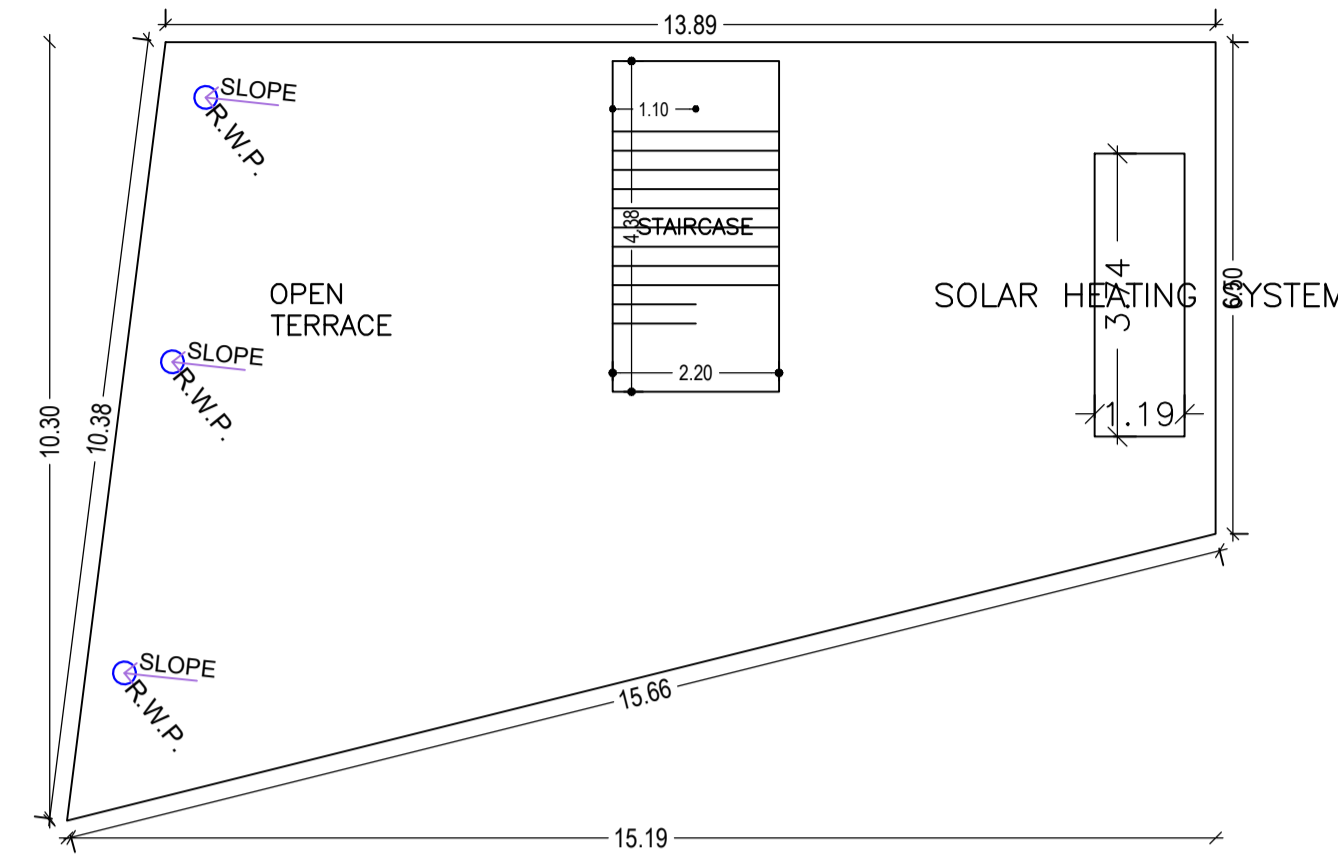
Proposal Basic Information	
Proposal File No.	DMC/BP/0221/W31/2022
Owner Name	(1) RAKESH RANJAN SINHA (2) VIKASH RANJAN SINHA
Khata No	0
Plot No	169(OLD), 197(NEW)
Village Name	Dhanbad
Use	Residential
SubUse	Bungalow/ Dwelling / Non Apartment



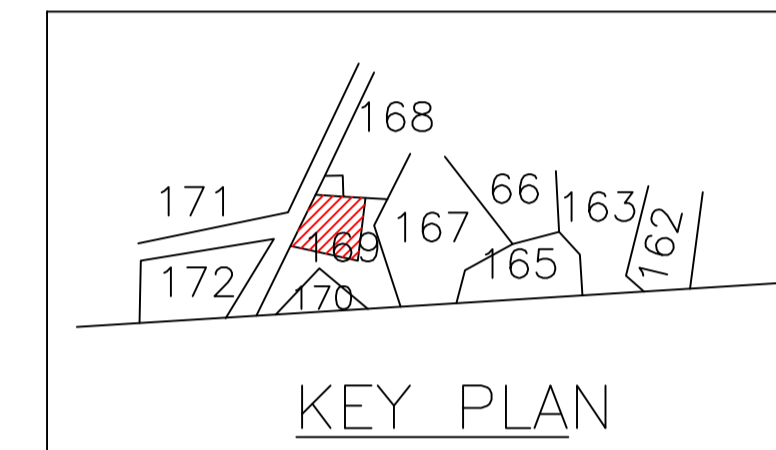
GROUND FLOOR PLAN  
(Proposed)  
(SCALE 1:100)



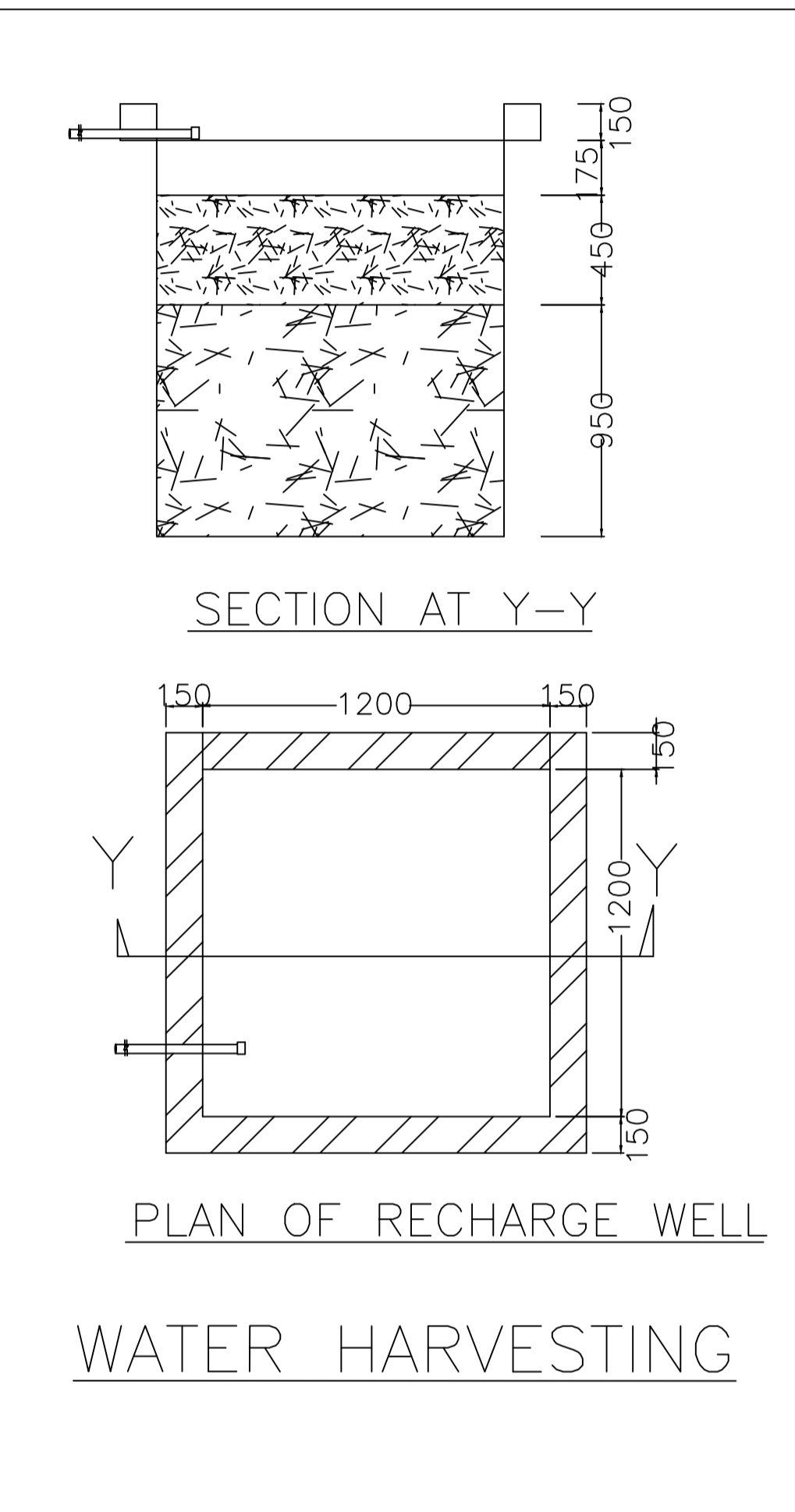
TYPICAL - 1, 2 FLOOR PLAN  
(Proposed)  
(SCALE 1:100)



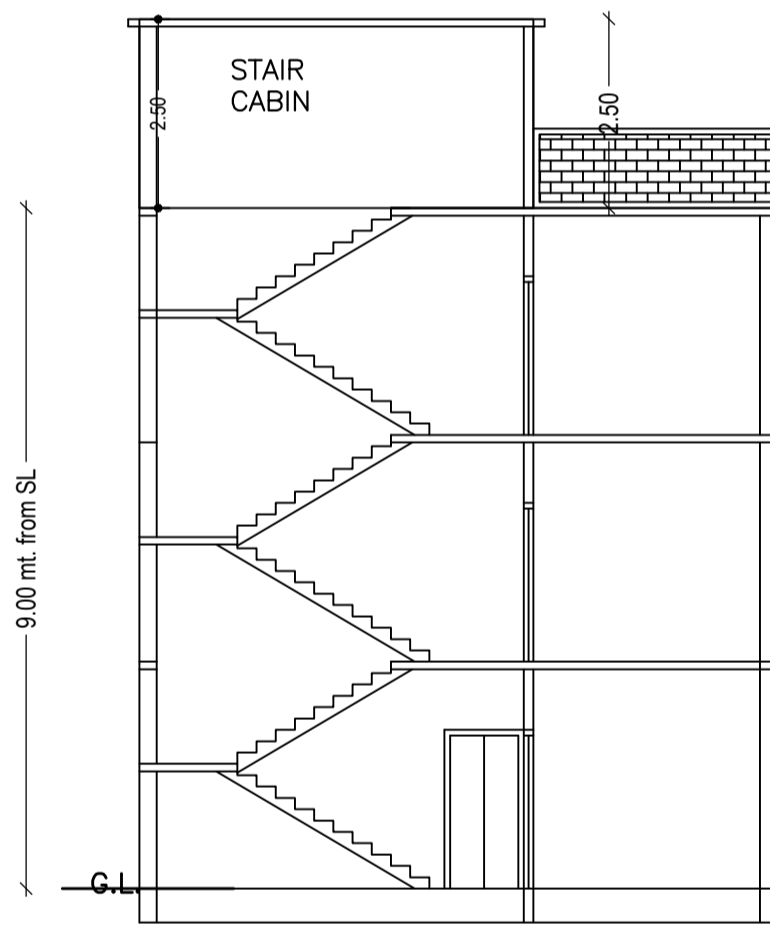
TERRACE FLOOR PLAN  
(SCALE 1:100)



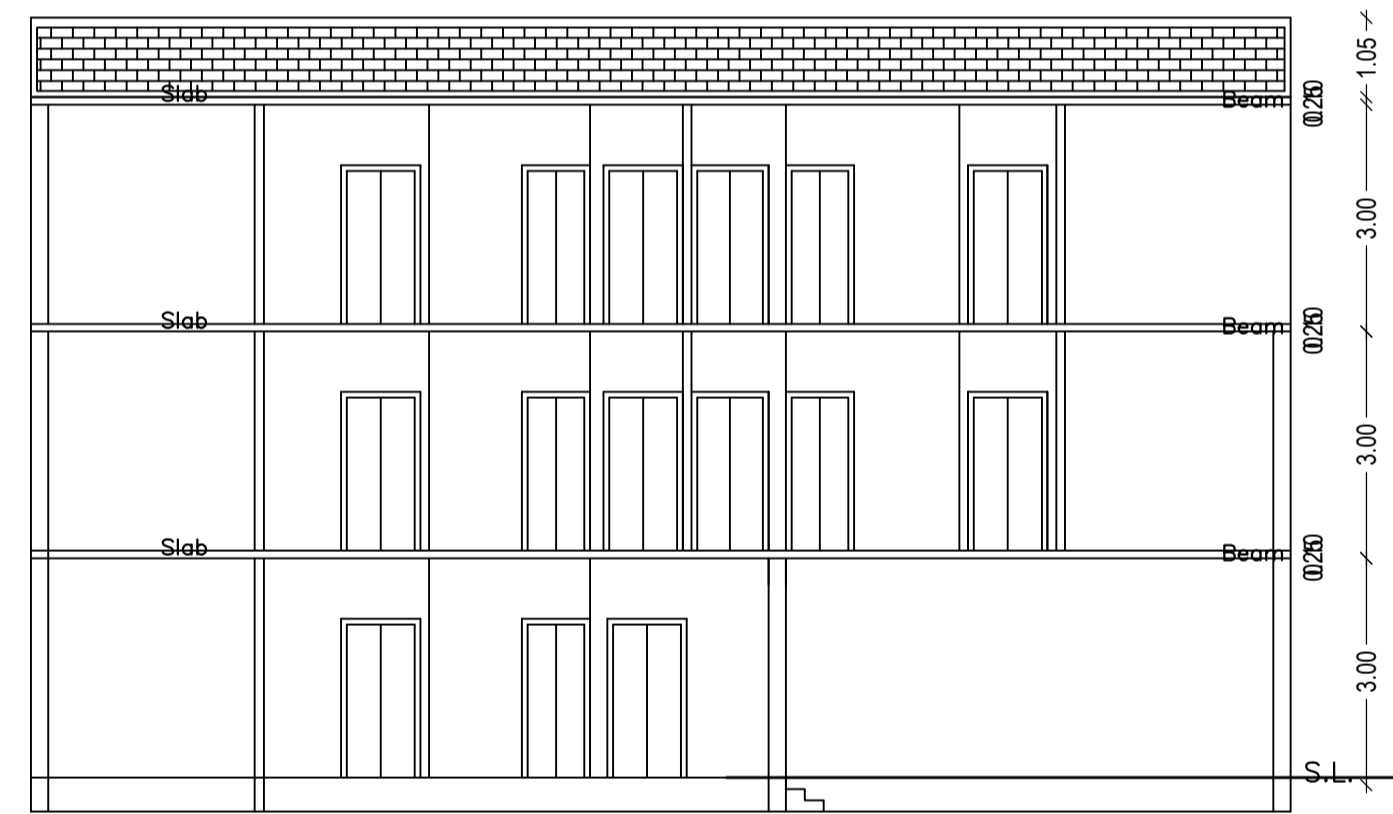
KEY PLAN



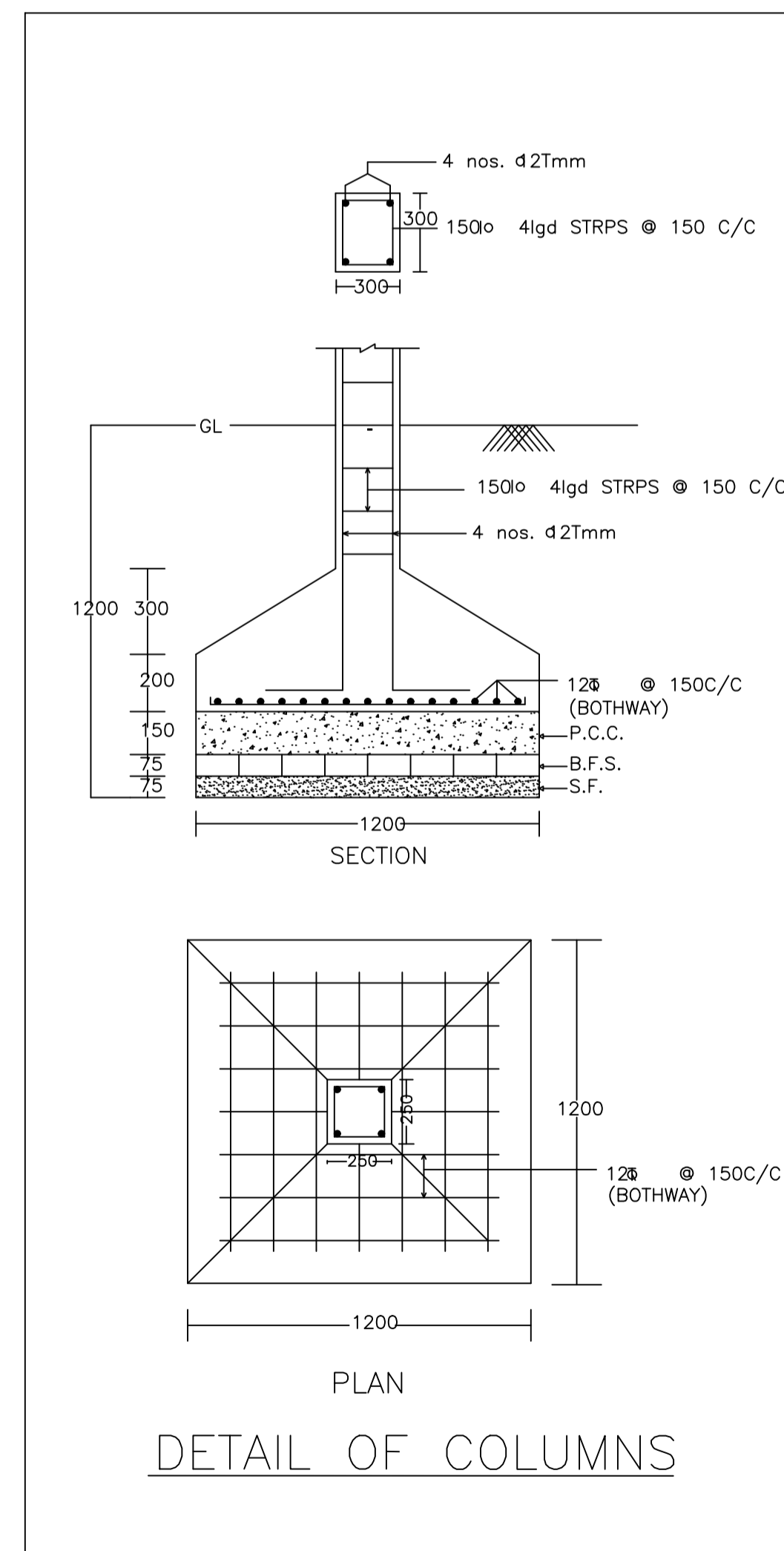
SECTION AT Y-Y  
PLAN OF RECHARGE WELL  
WATER HARVESTING



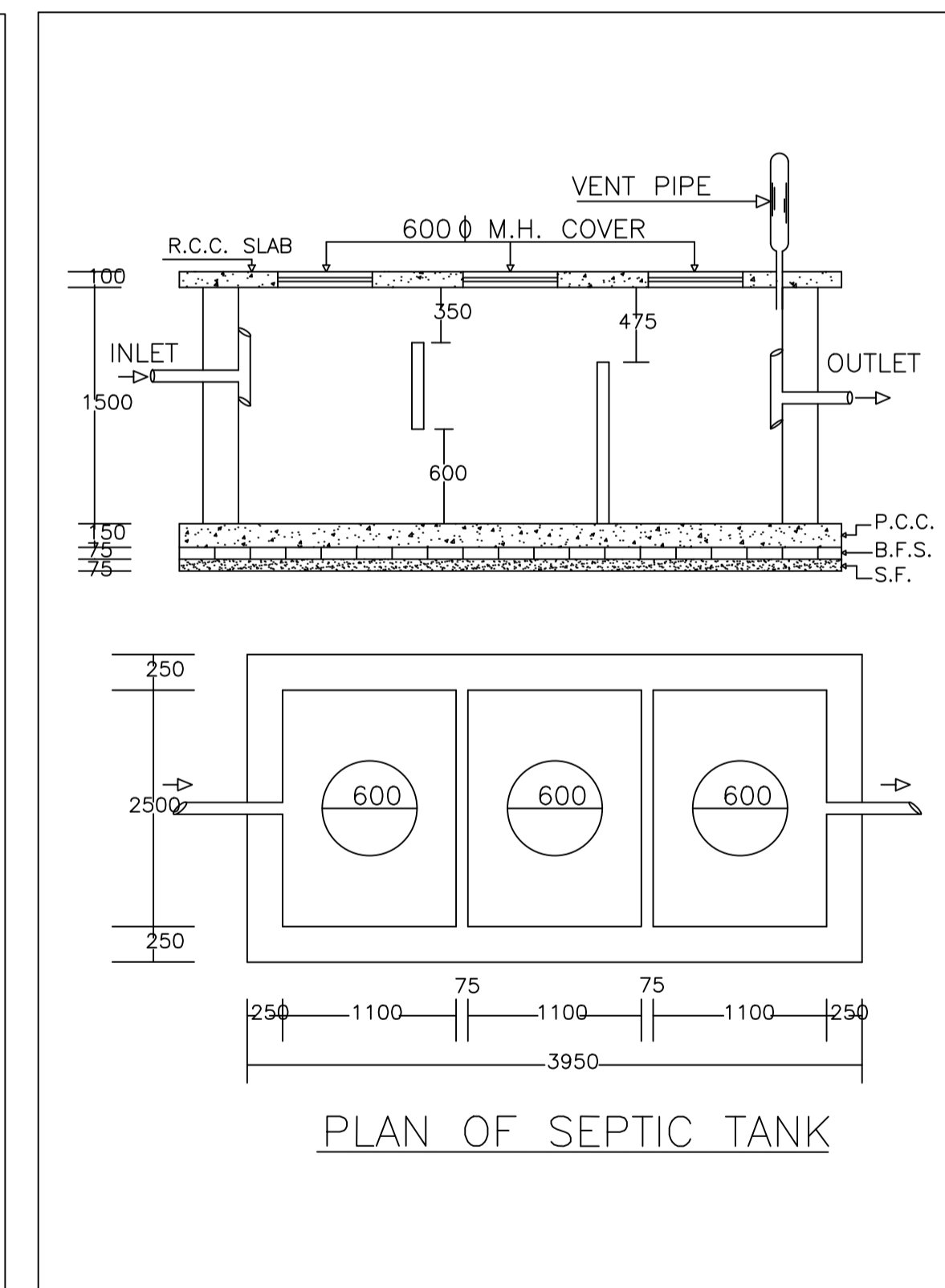
SECTION ON X-X



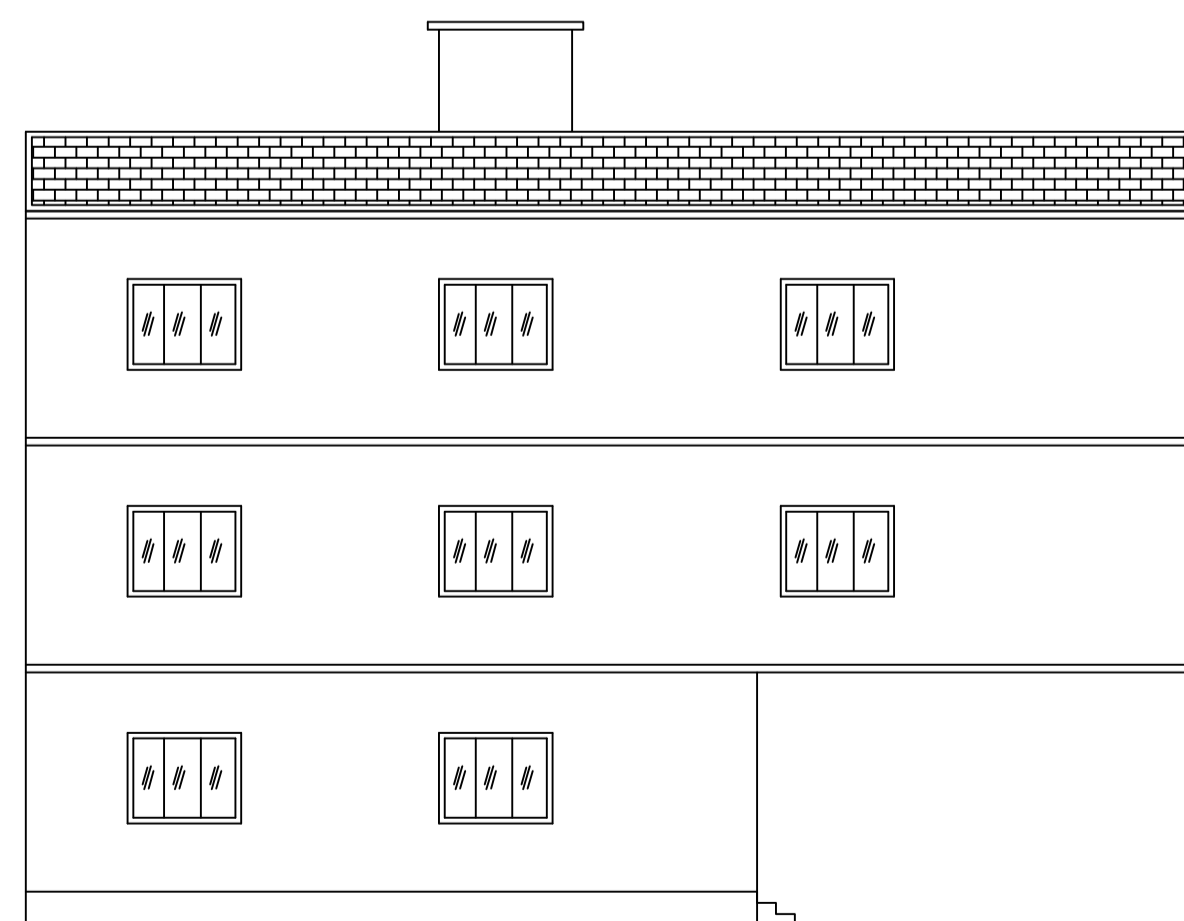
SECTION ON Y-Y



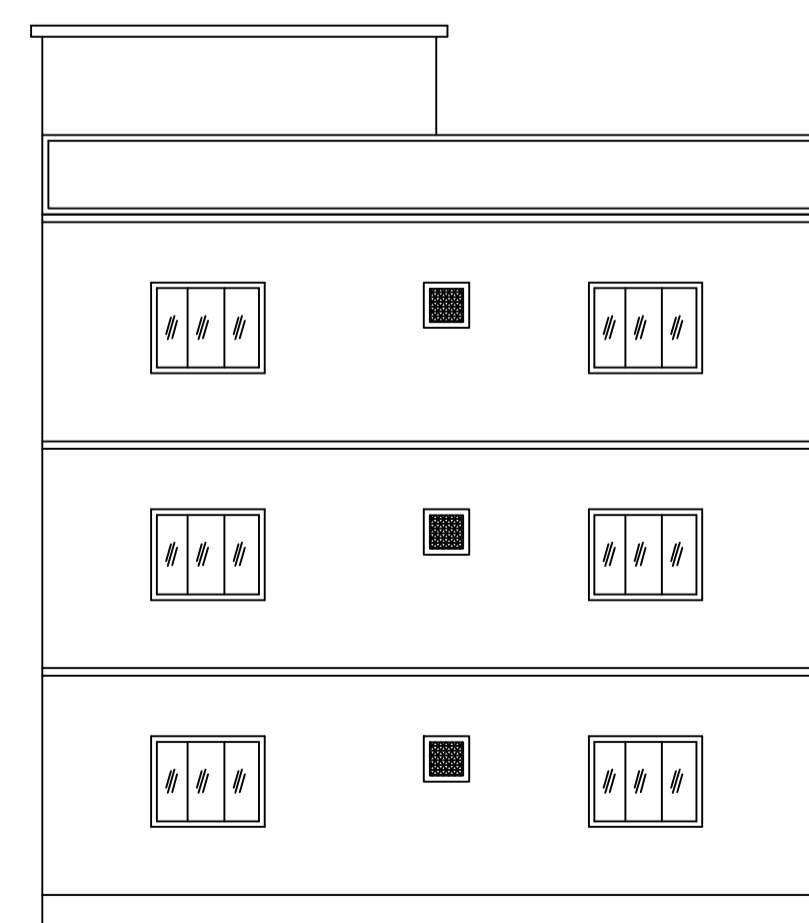
DETAIL OF COLUMNS



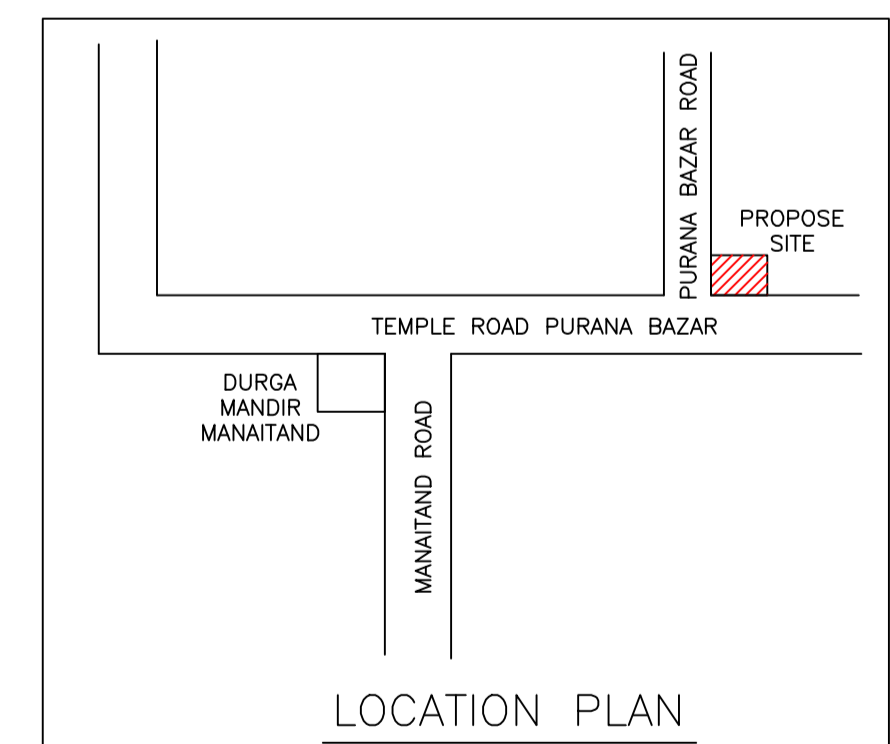
PLAN OF SEPTIC TANK



FRONT ELEVATION



LEFT SIDE ELEVATION



LOCATION PLAN

LTP NAME AND SIGNATURE	STRUCTURAL ENG'S NAME AND SIGNATURE	BUILDER NAME AND SIGNATURE	DIGITAL SIGNATURE
AMRESH KUMAR BHARTI DMC/ENG/0022/2016			