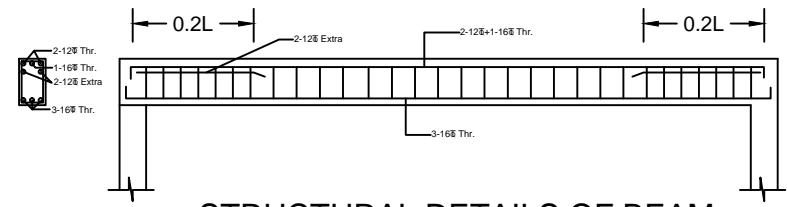
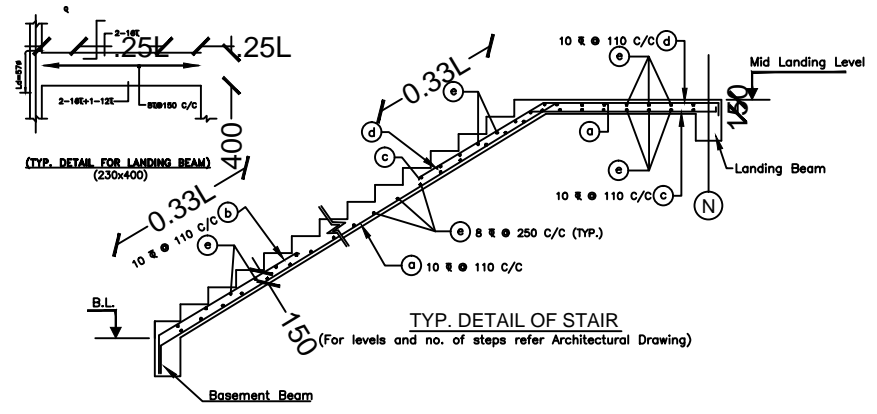
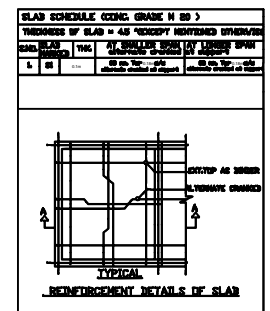


COLUMN DETAILS
SCALE:- 1:50



STRUCTURAL DETAILS OF BEAM



TYP. DETAIL OF STAIR
(For levels and no. of steps refer Architectural Drawing)