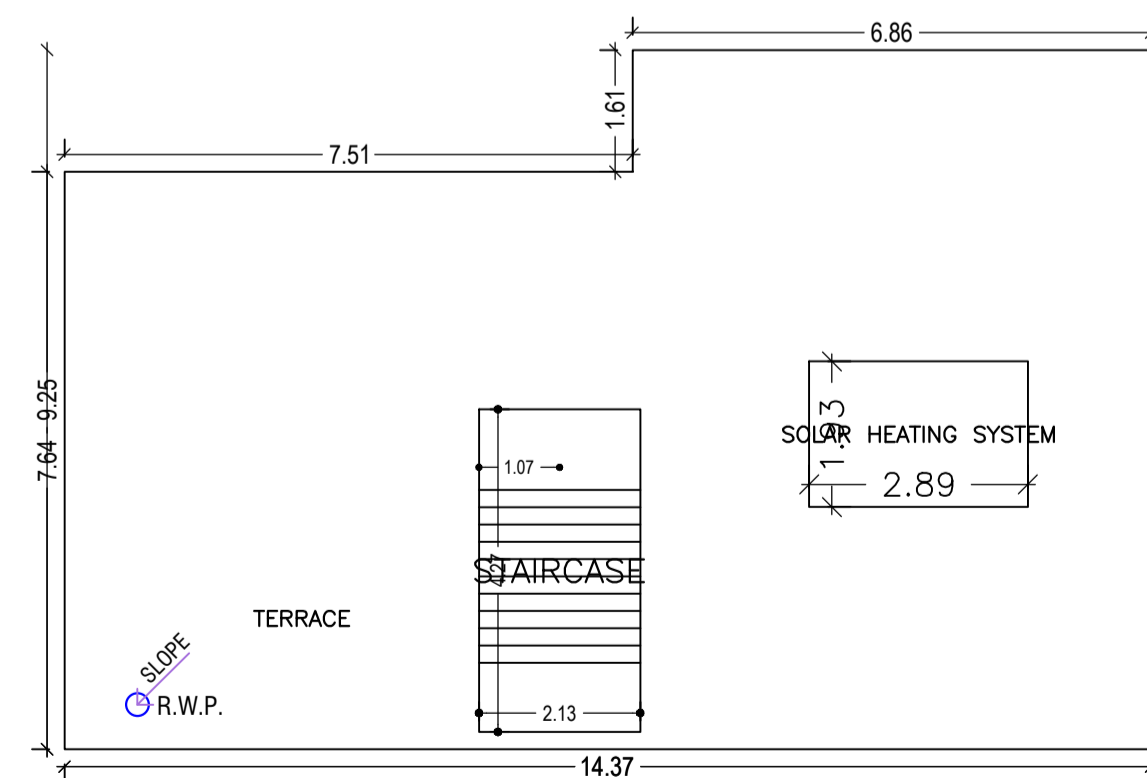
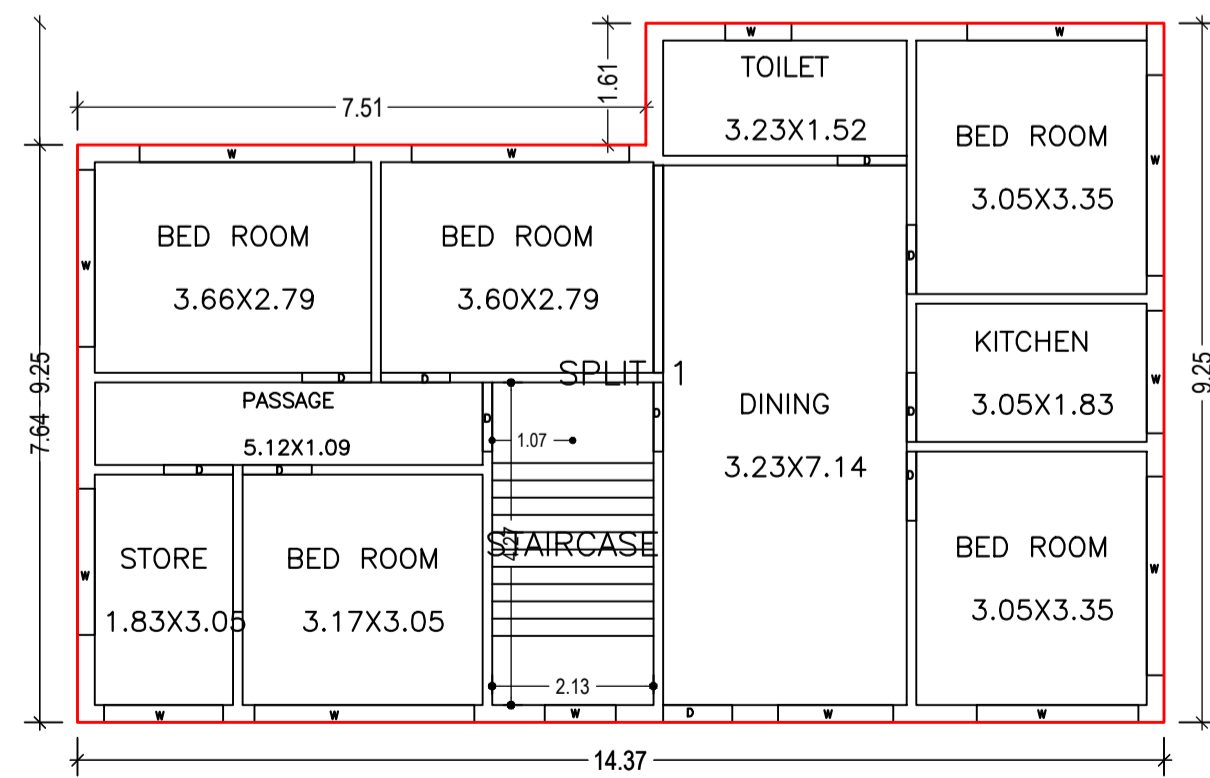
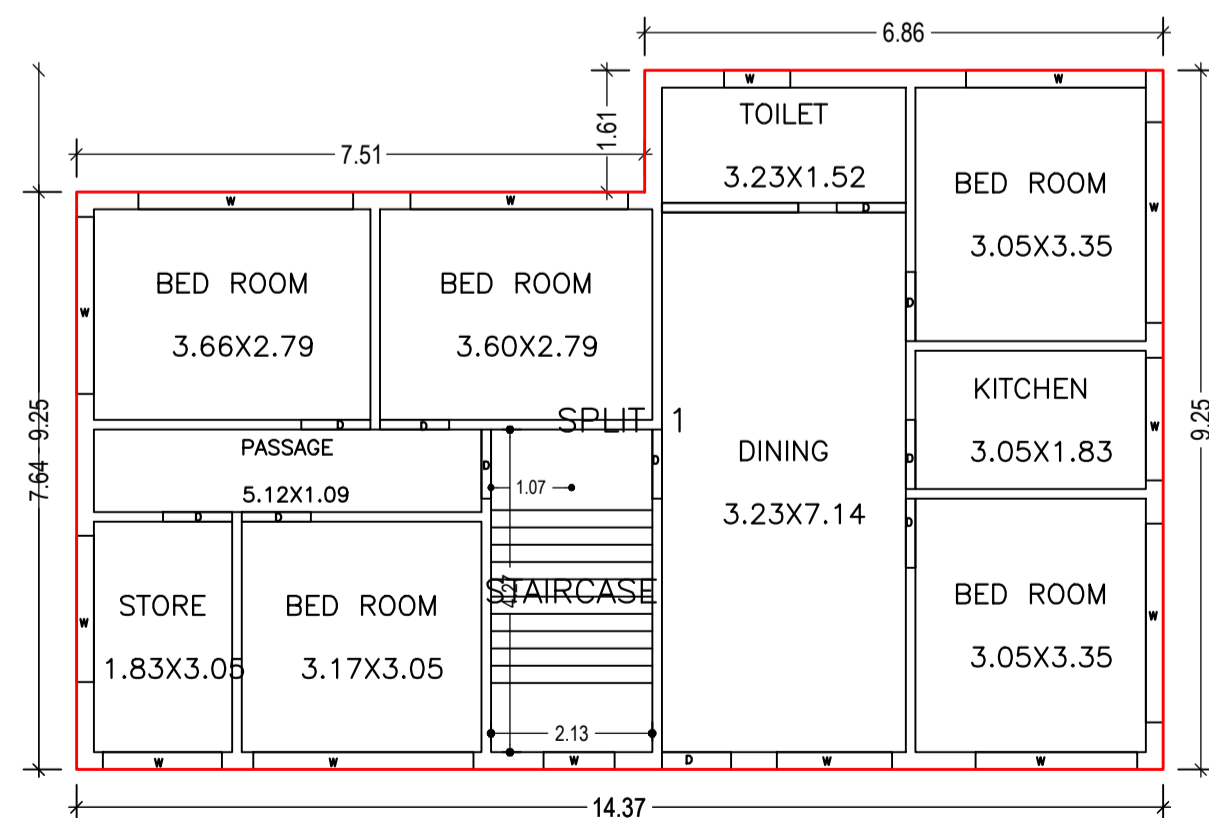
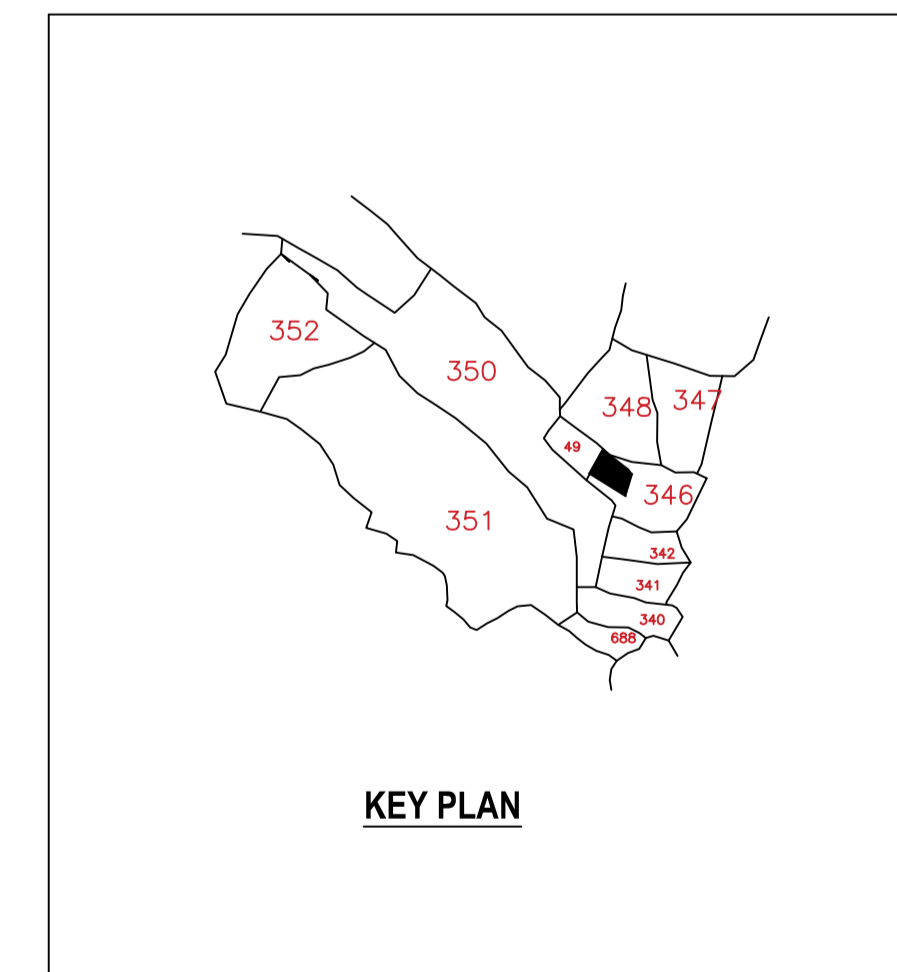
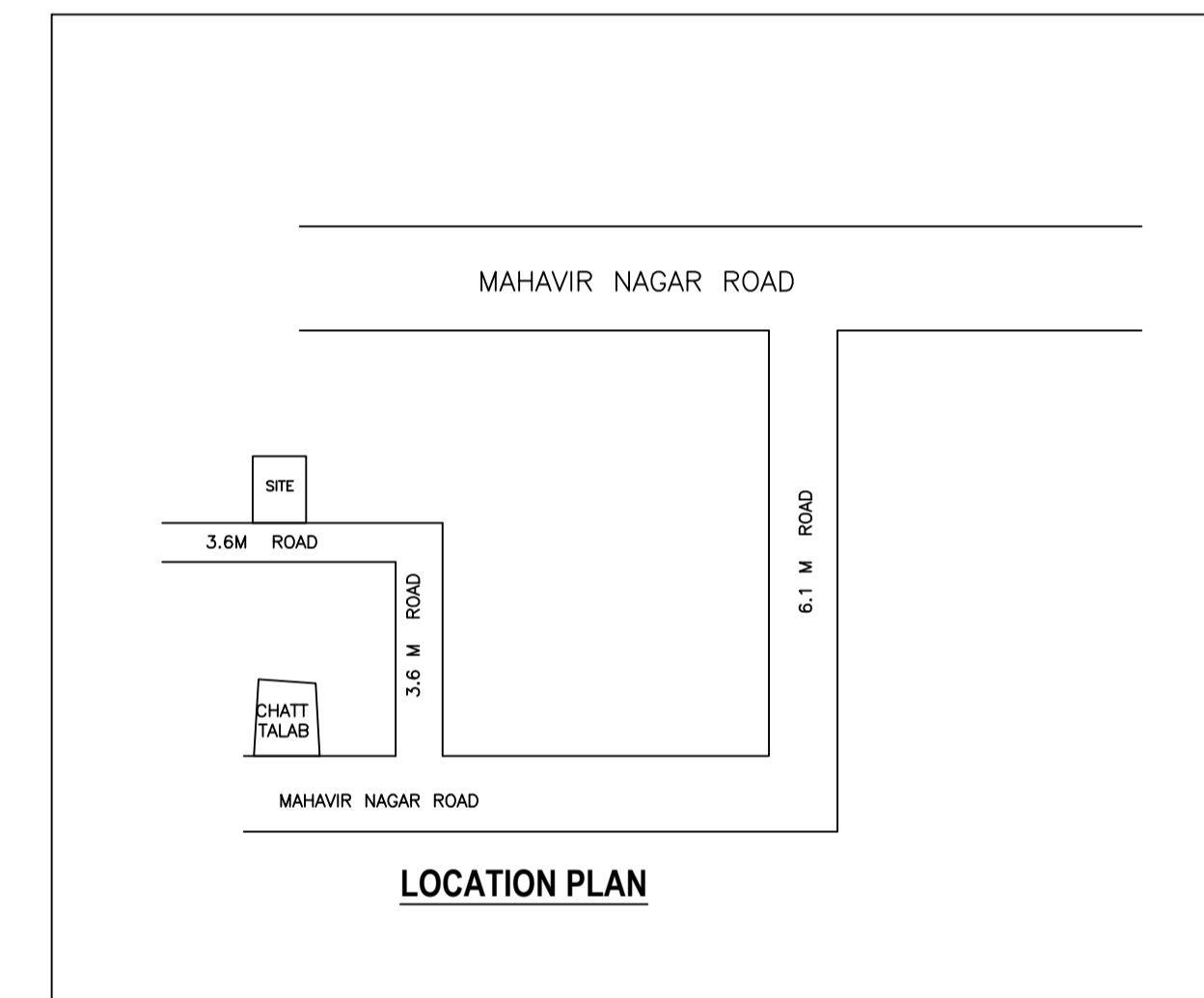
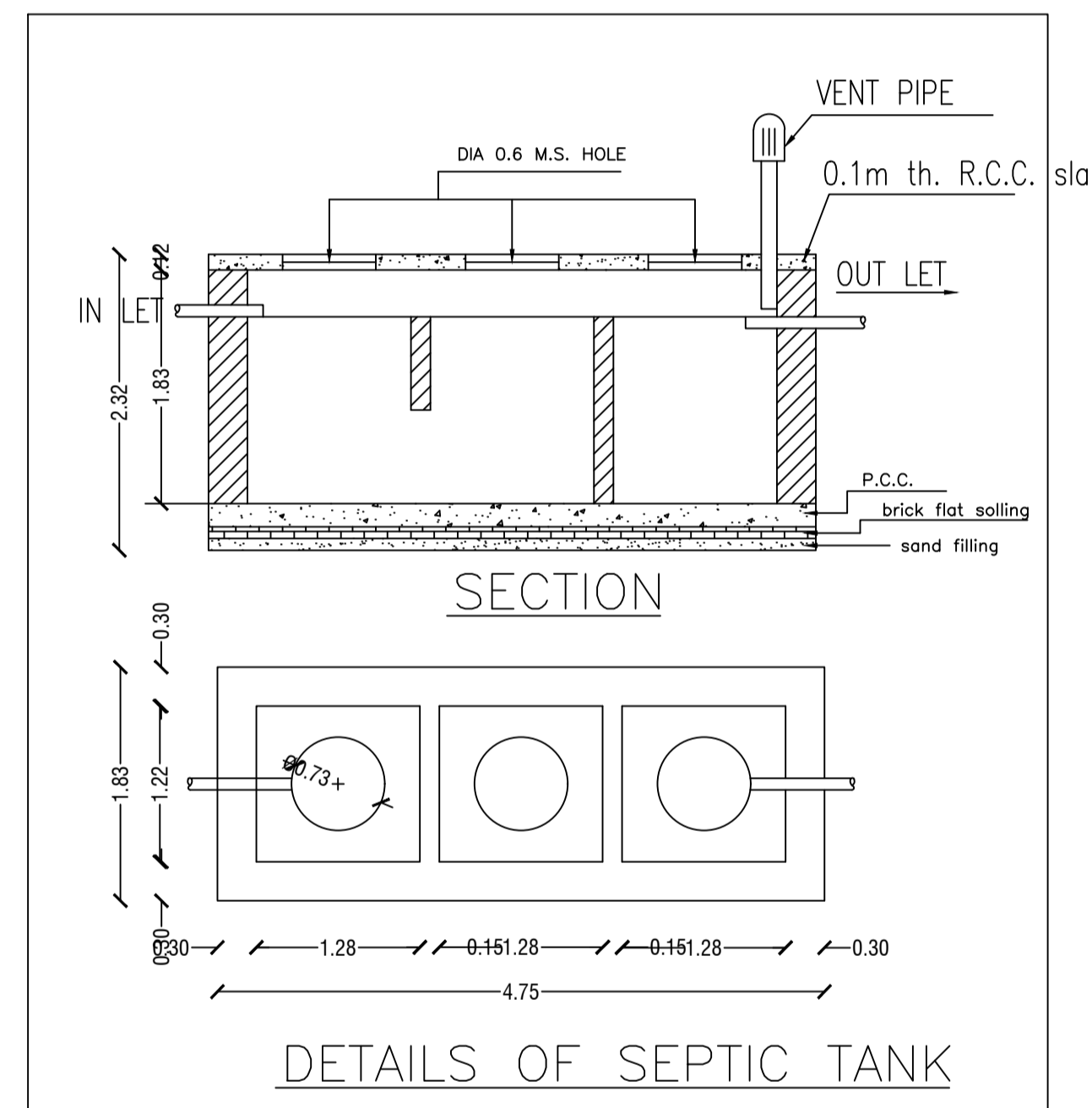
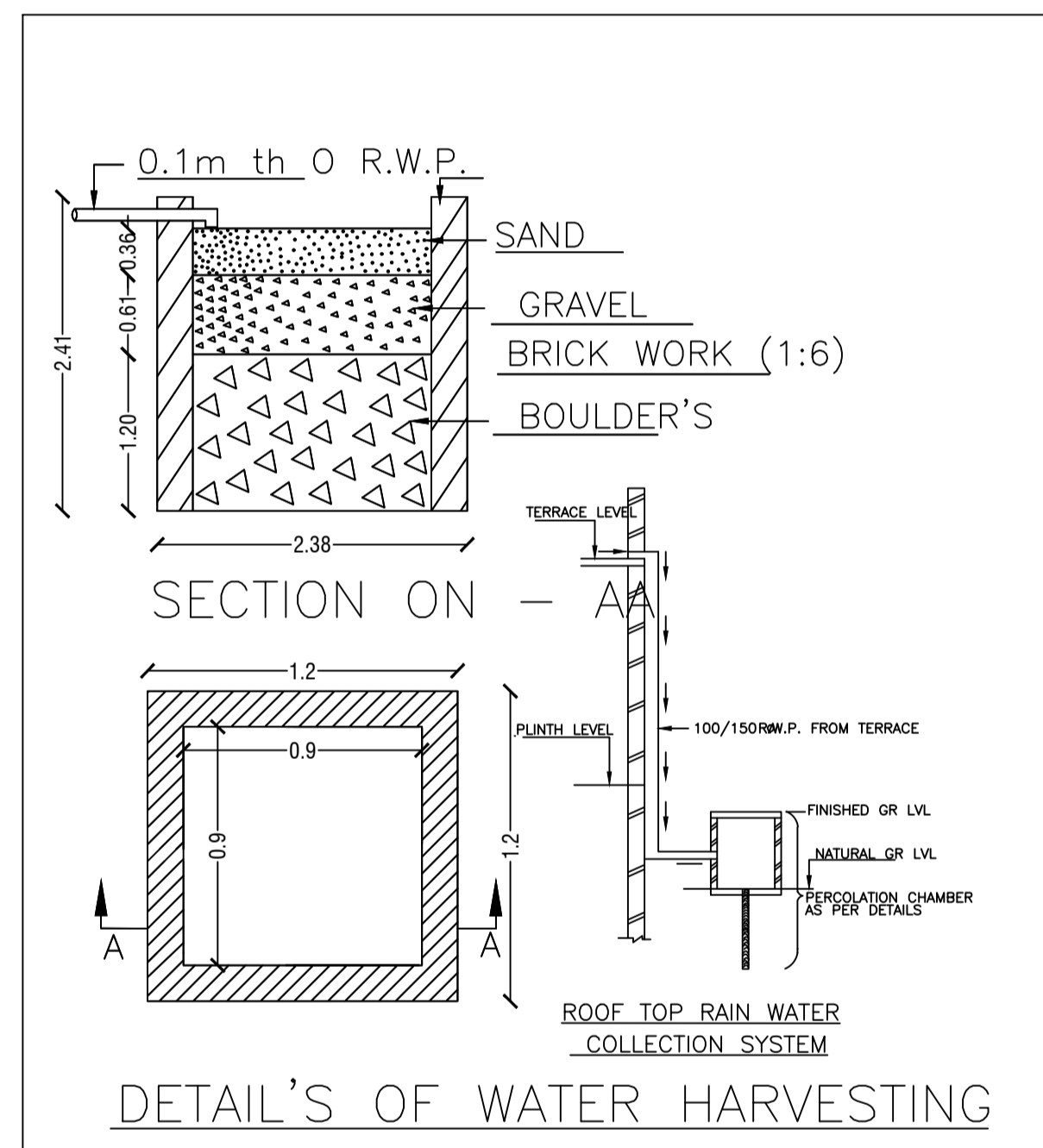
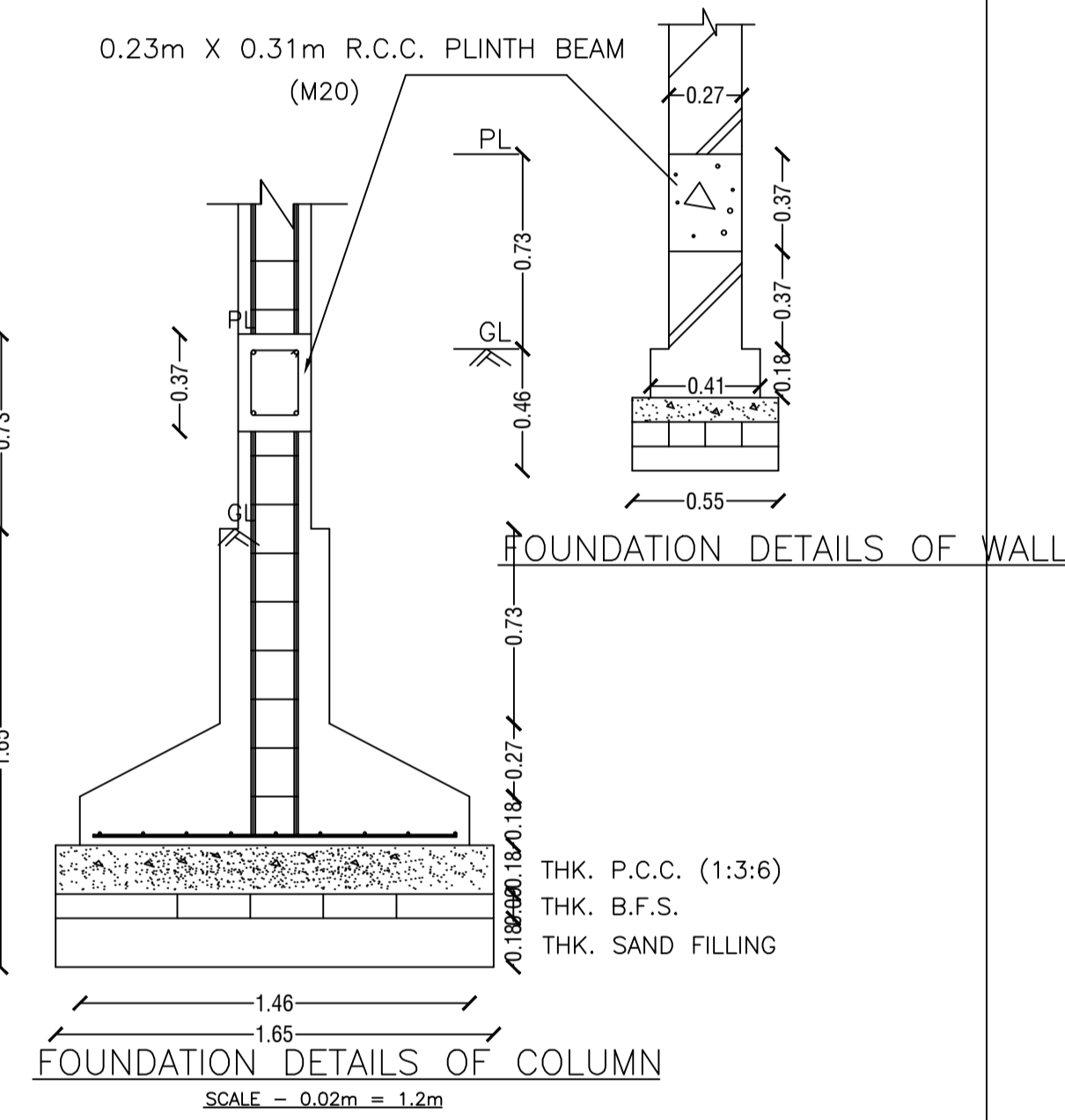
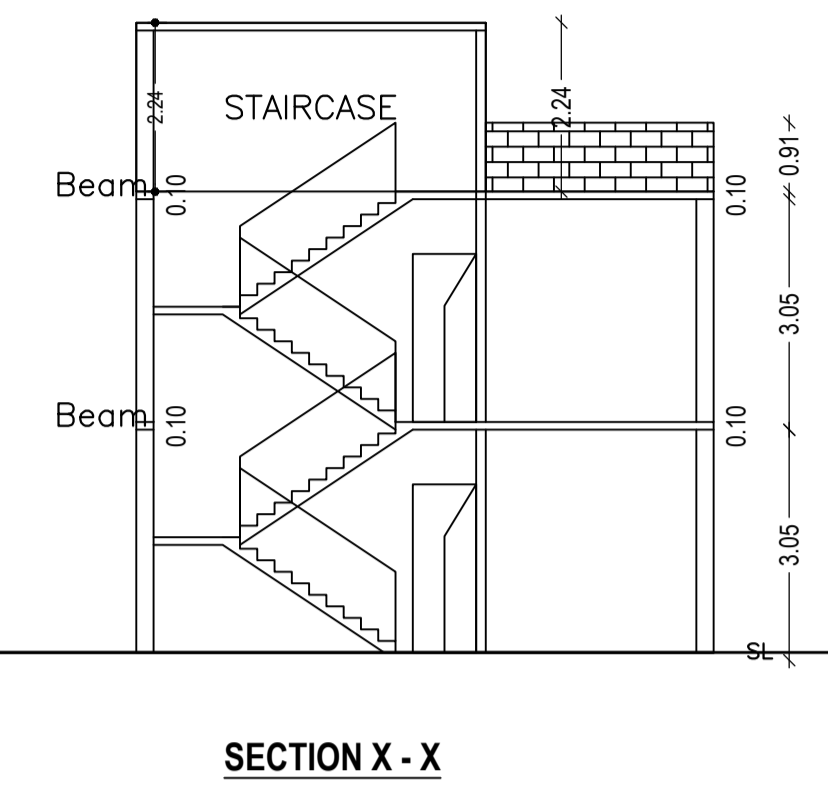
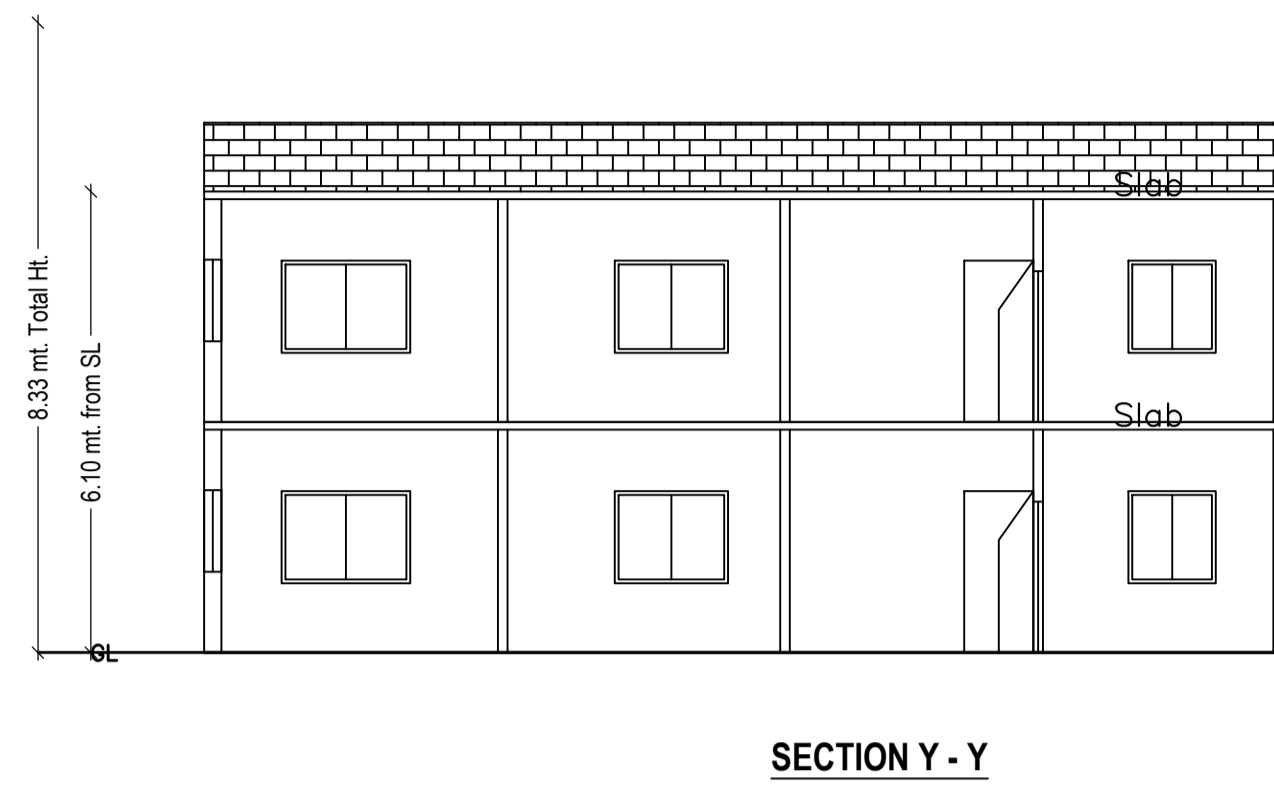
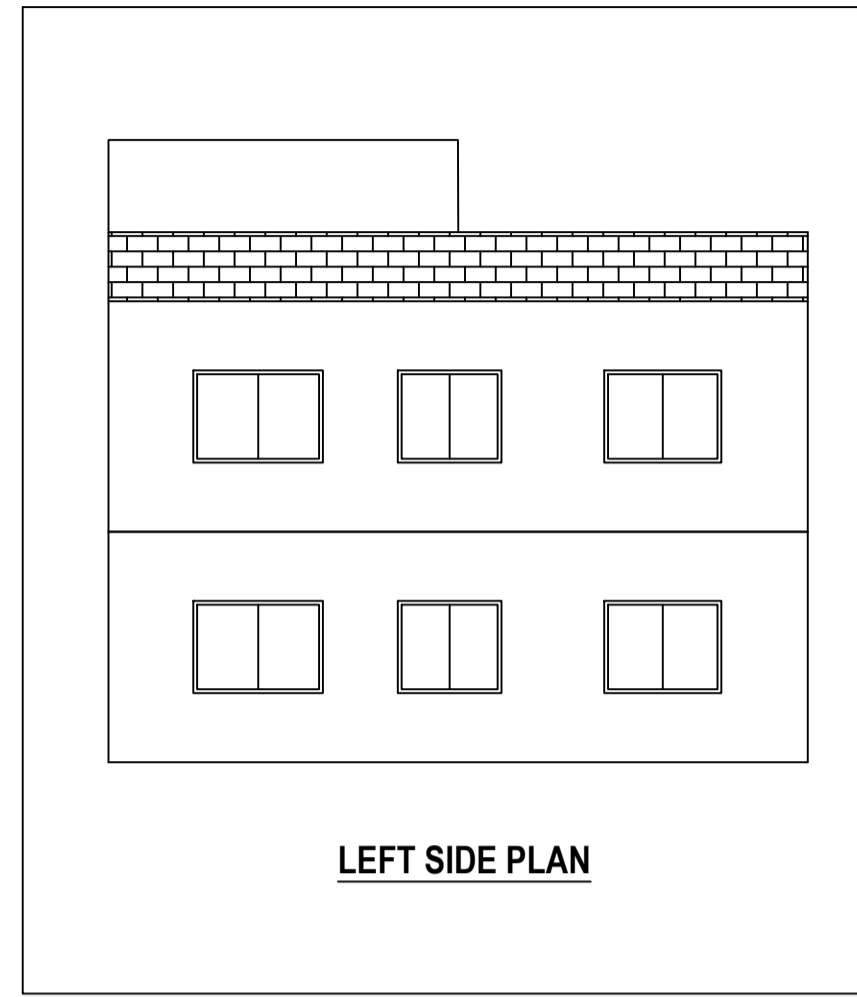
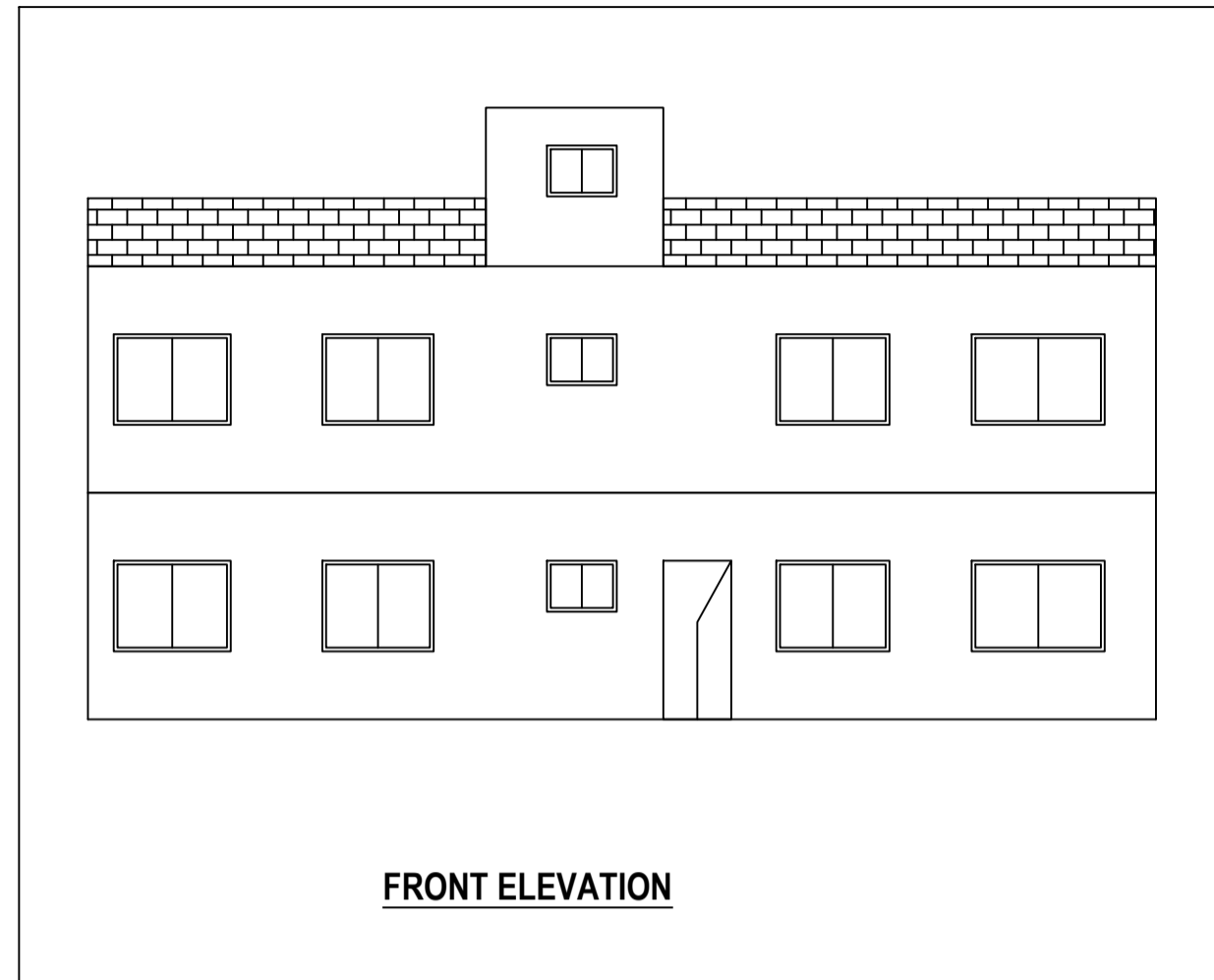


Proposal Basic Information	
Proposal File No.	DMC/BP/0068/W21/2022
Owner Name	DHARMSHILA DEVI
Khata No	OLD - 30, NEW - 217
Plot No	OLD - 434, NEW - 346
Village Name	Baramuri
Use	Residential
SubUse	Bungalow/ Dwelling / Non Apartment



LTP NAME AND SIGNATURE	STRUCTURAL ENG'S NAME AND SIGNATURE	BUILDER NAME AND SIGNATURE	DIGITAL SIGNATURE
AMIT KUMAR DMC/ENG/0012/2021			