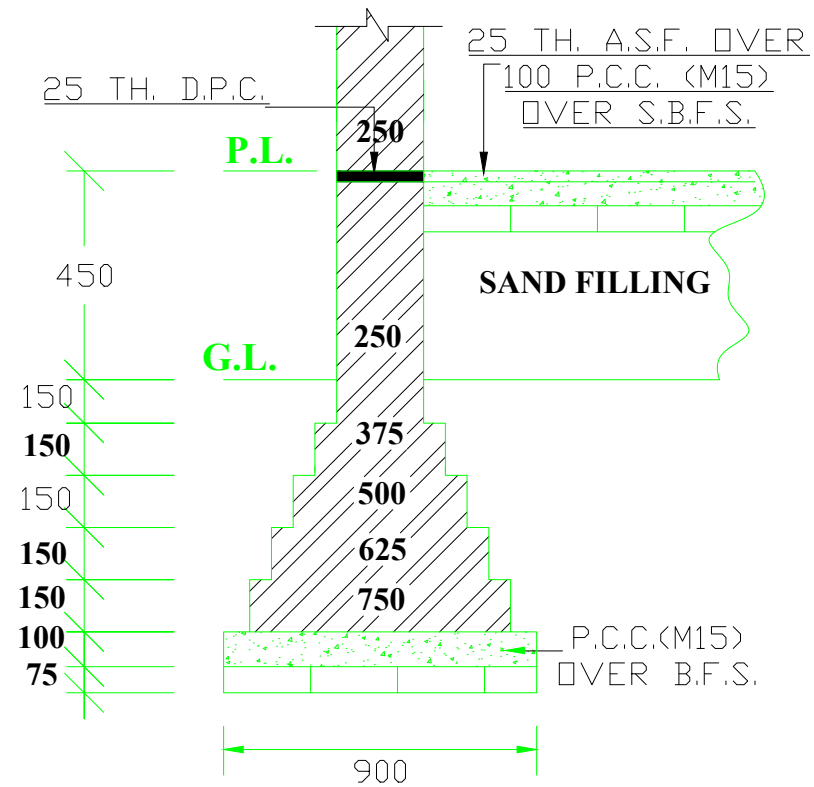
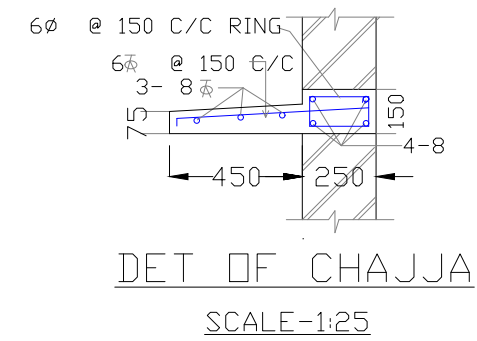


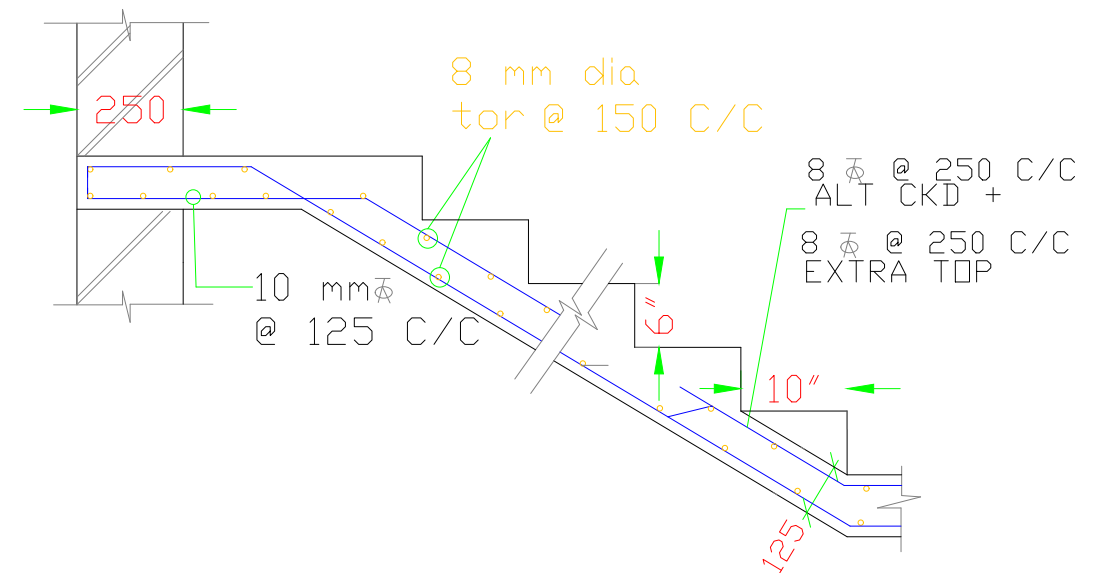
STRUCTURAL DESIGN SAFETY DETAILING



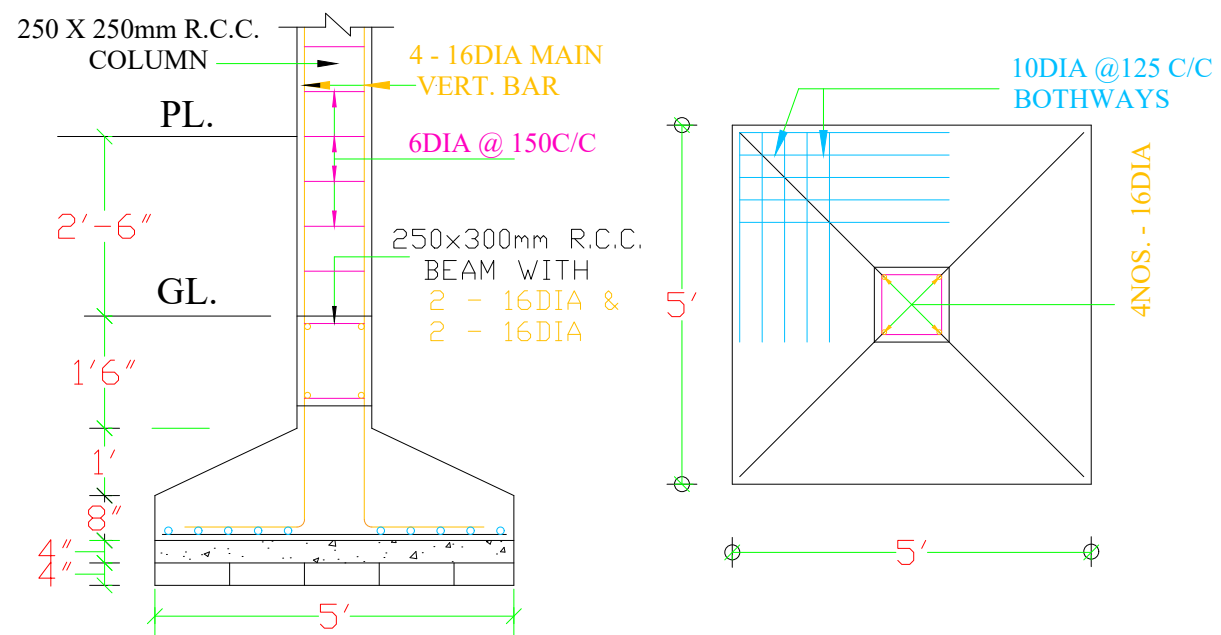
EXIS. DET. OF MAIN WALL FOUNDATION
(Dim in mm)



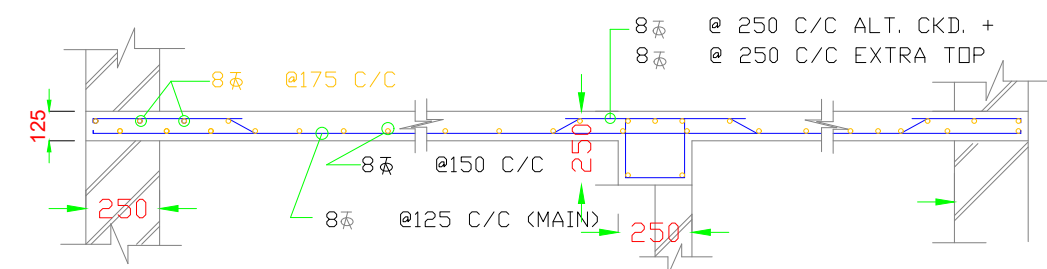
DET OF CHAJJA
SCALE-1:25



DET OF R.C.C. STAIR
(Dim in mm)



DET. OF R.C.C. COLUMN FOUNDATION



TYPICAL DET. R.C.C. SLAB
(Dim in mm)