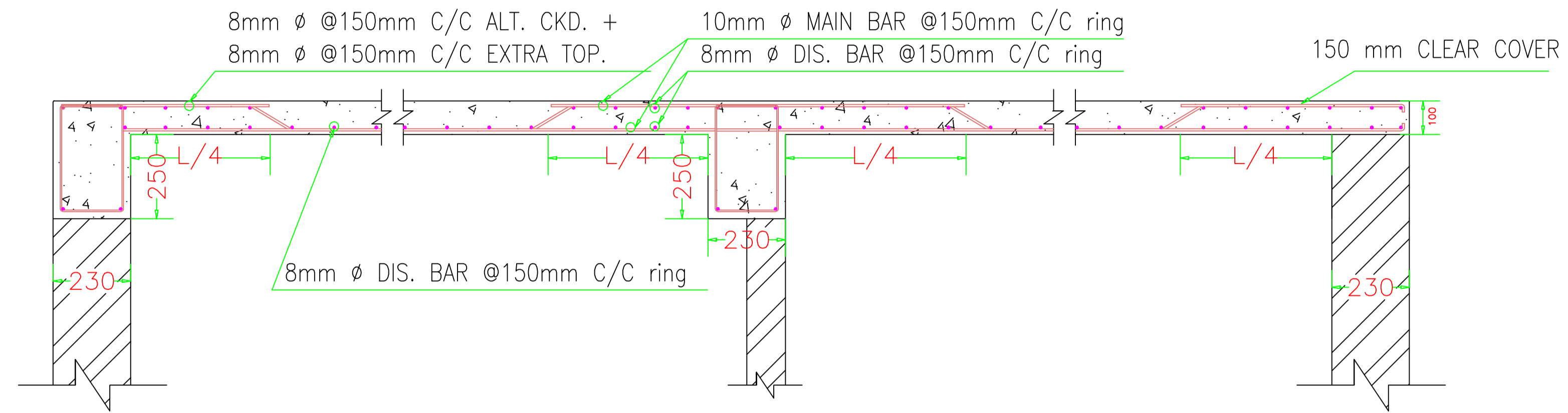
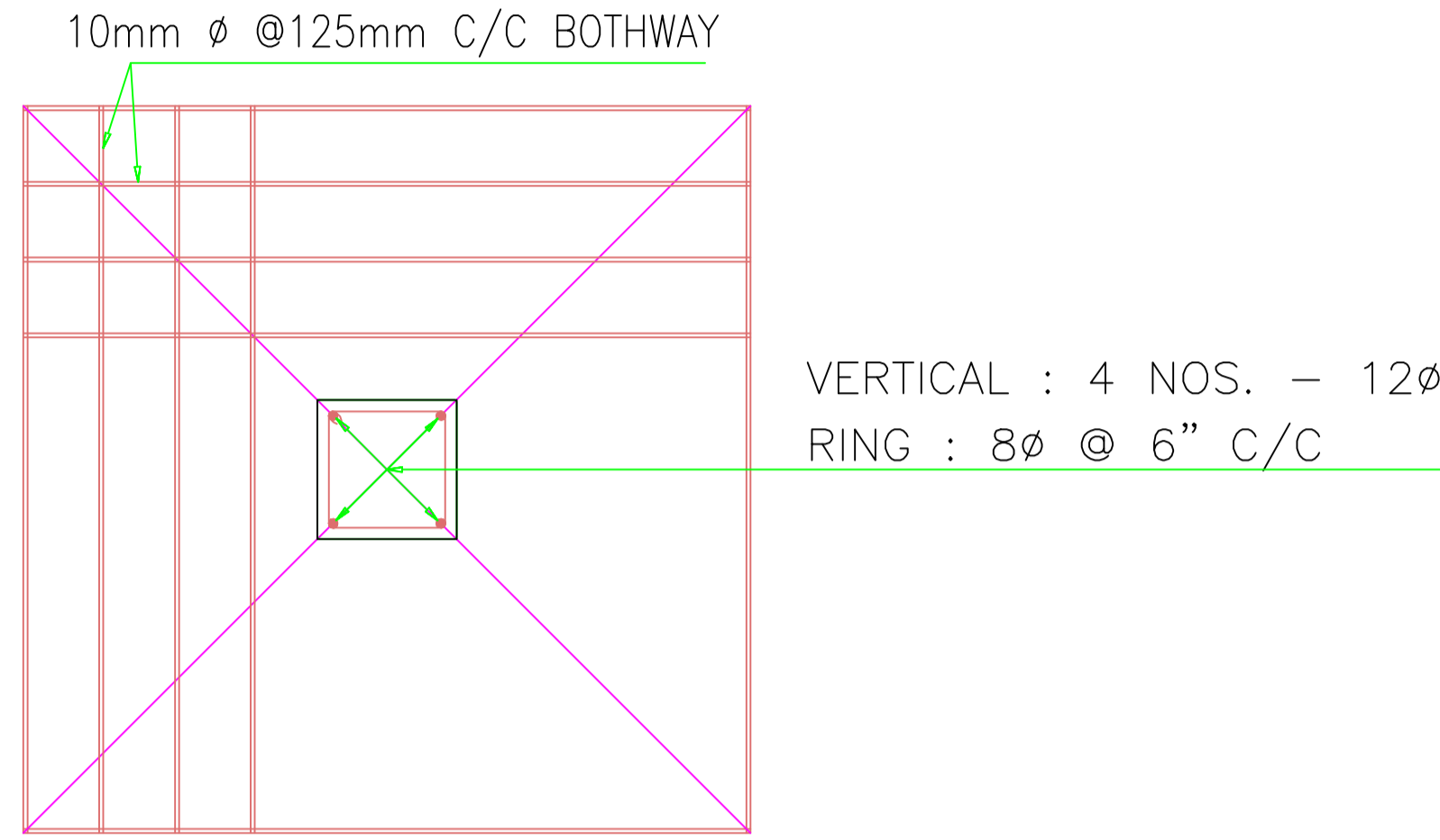
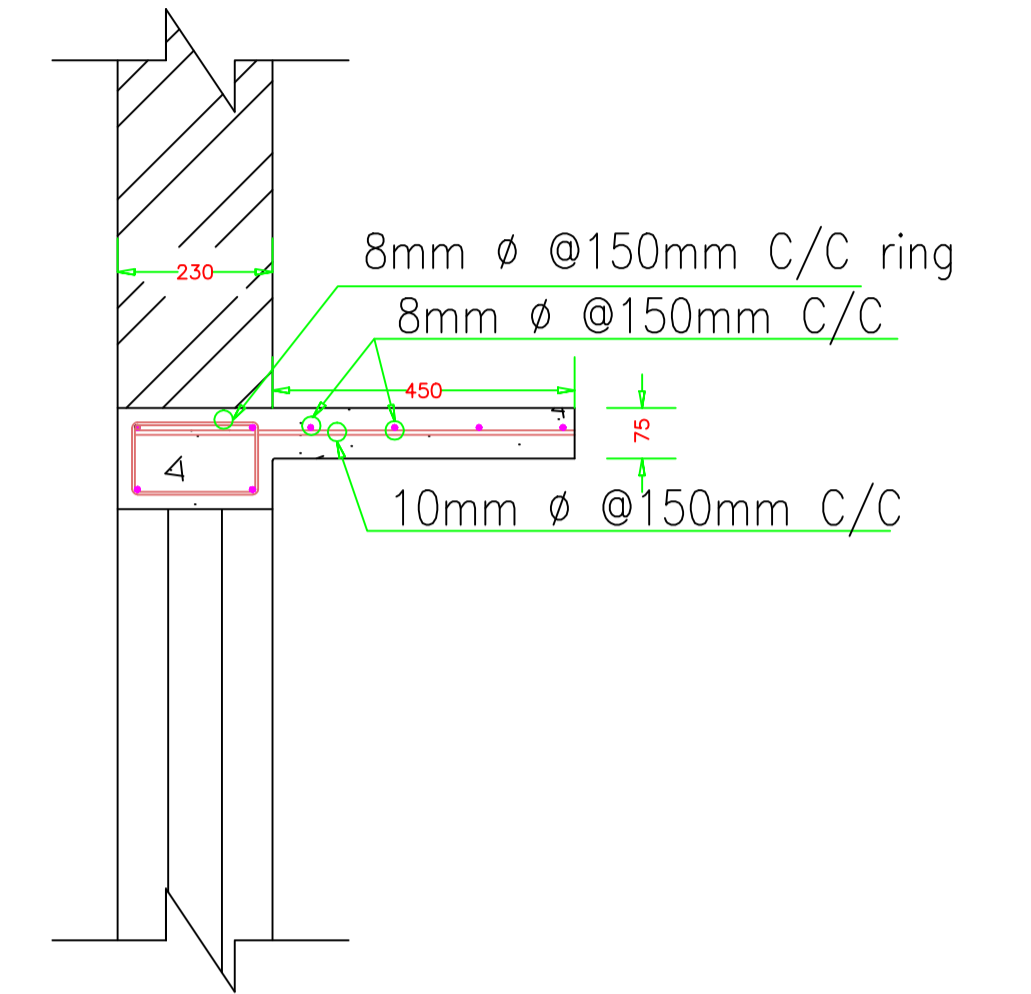


STRUCTURAL DESIGN SAFETY DETAILS.



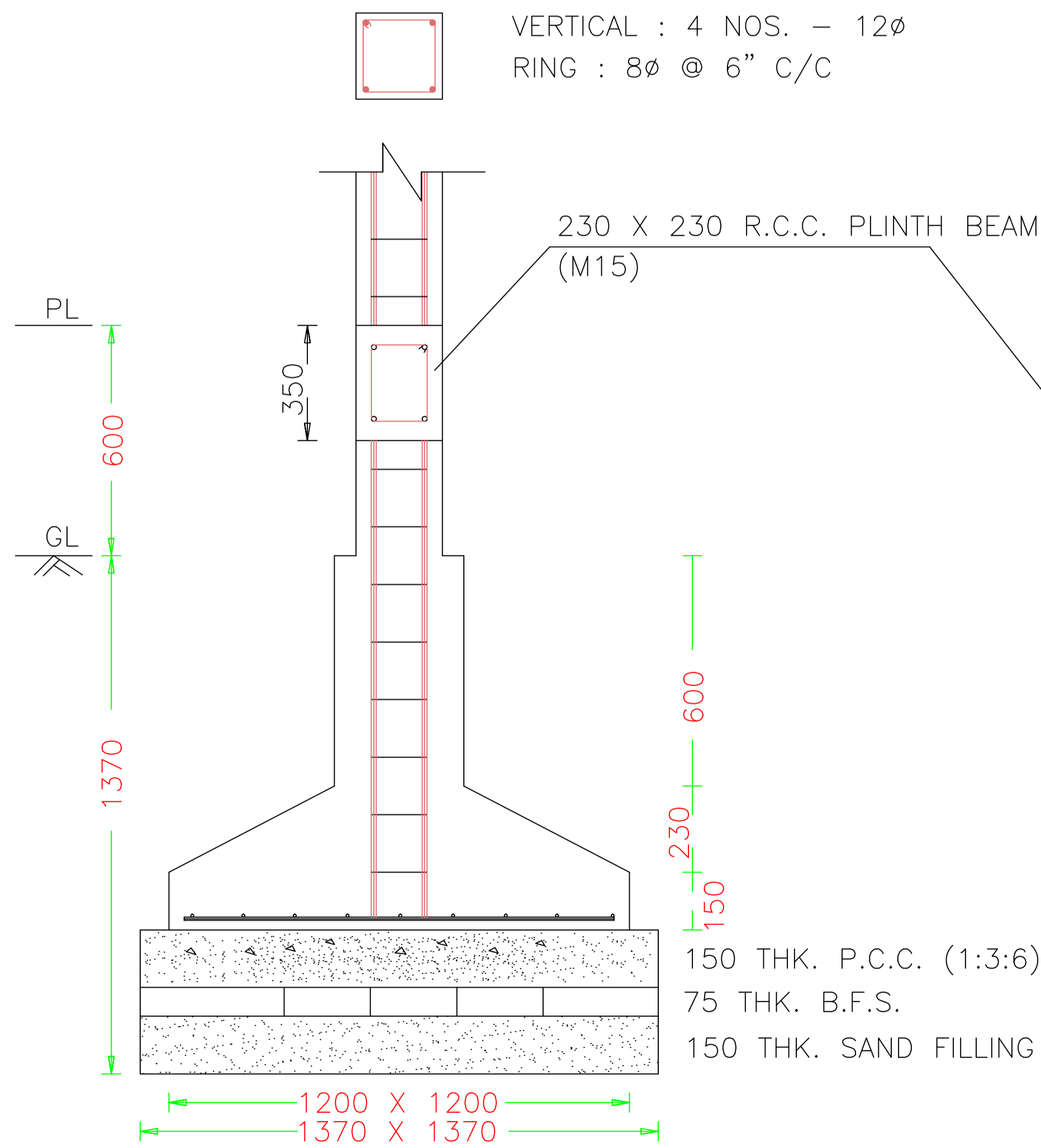
TYPICAL DET. OF R.C.C. SLAB

(Dim in mm)



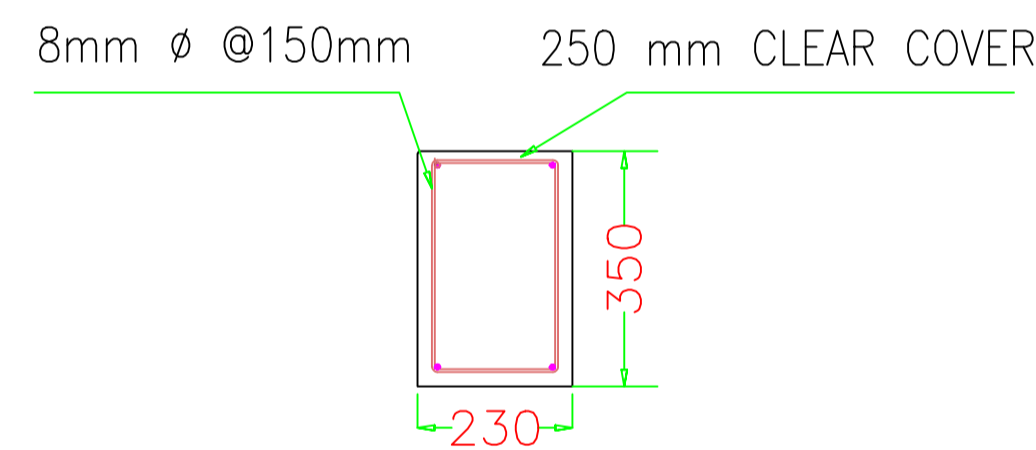
DET. OF R.C.C. CHAJJA

(Dim in mm)



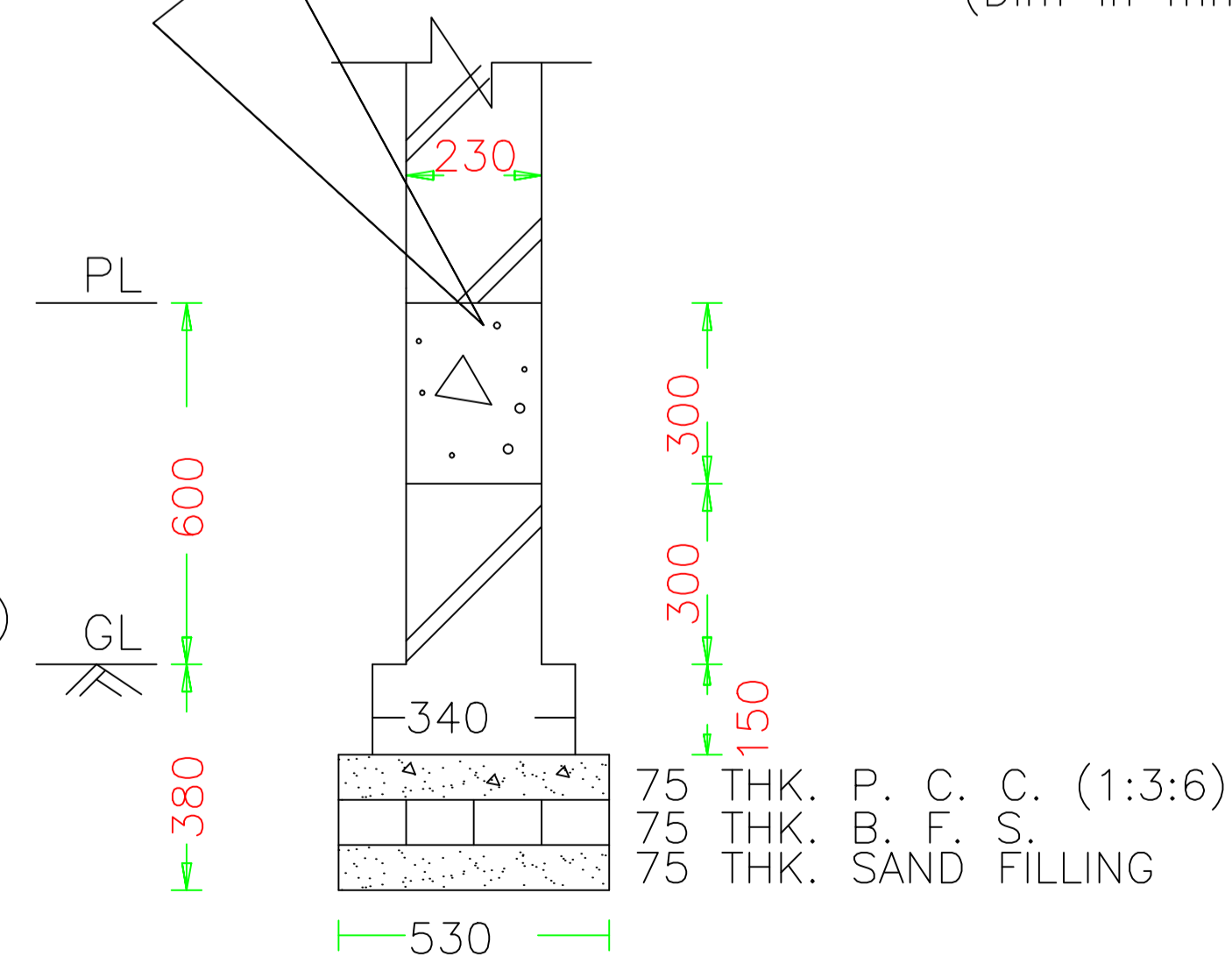
FOUNDATION DETAILS OF COLUMN

(Dim in mm)



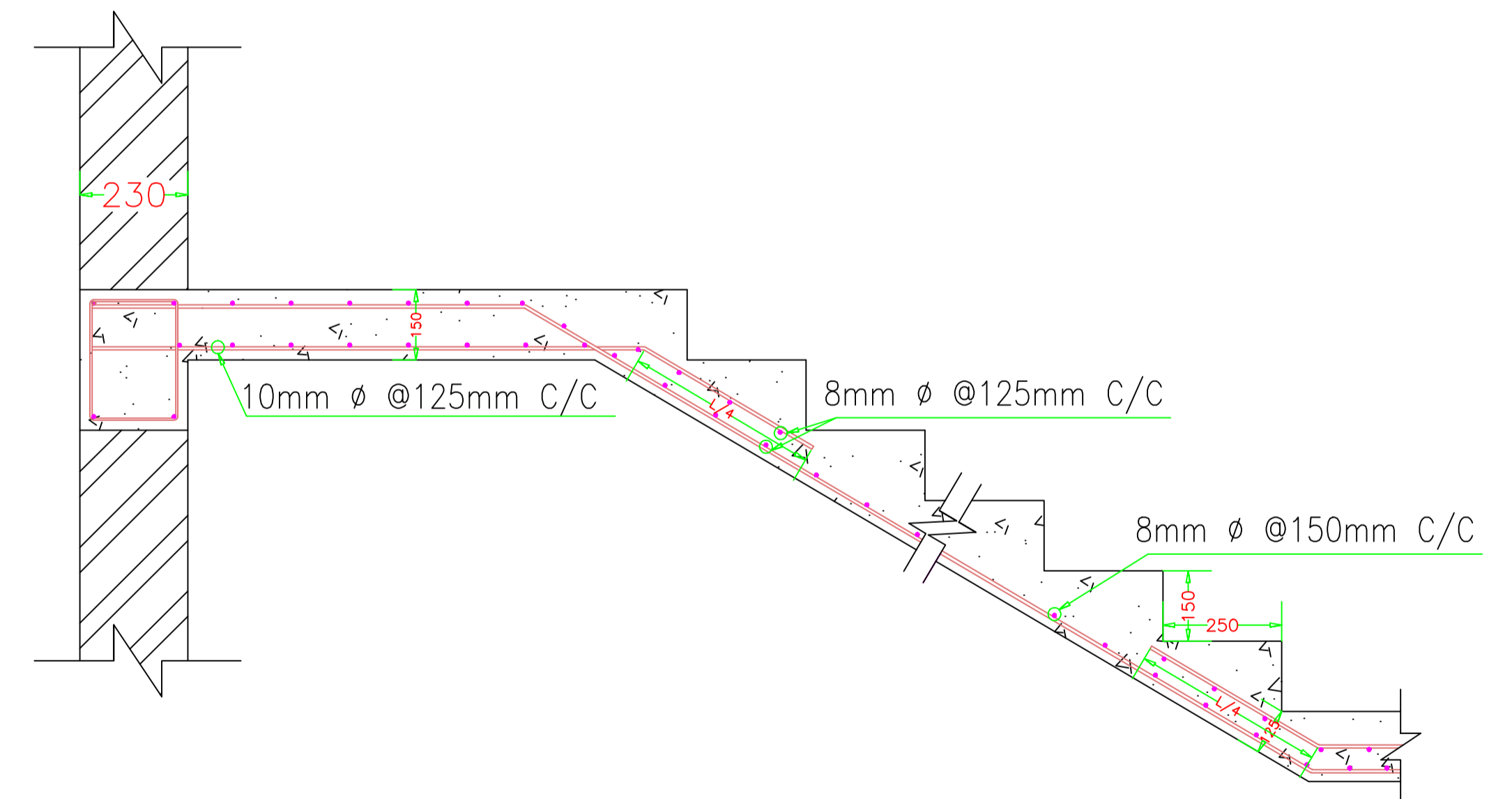
DET. OF R.C.C. BEAM

(Dim in mm)



FOUNDATION DETAILS OF WALL

(Dim in mm)



DET. OF R.C.C. SRAIR

(Dim in mm)

TITLE OF DRAWING

DRAWING OF PROPOSED RESIDENTIAL BUILDING OF Sri. SAILESH KUMAR SINGH
 S/O -INDRAJIT SINGH, UNDER MOUZA:- BISUNPUR, MOUZA NO-05, KHATA
 NO -118 (O) 29 (N), PLOT NO - 863 (O) 464, (N), P.S - DHANSHAR,
 DIST-DHANBAD,IN THE STATE OF JHARKHAND.