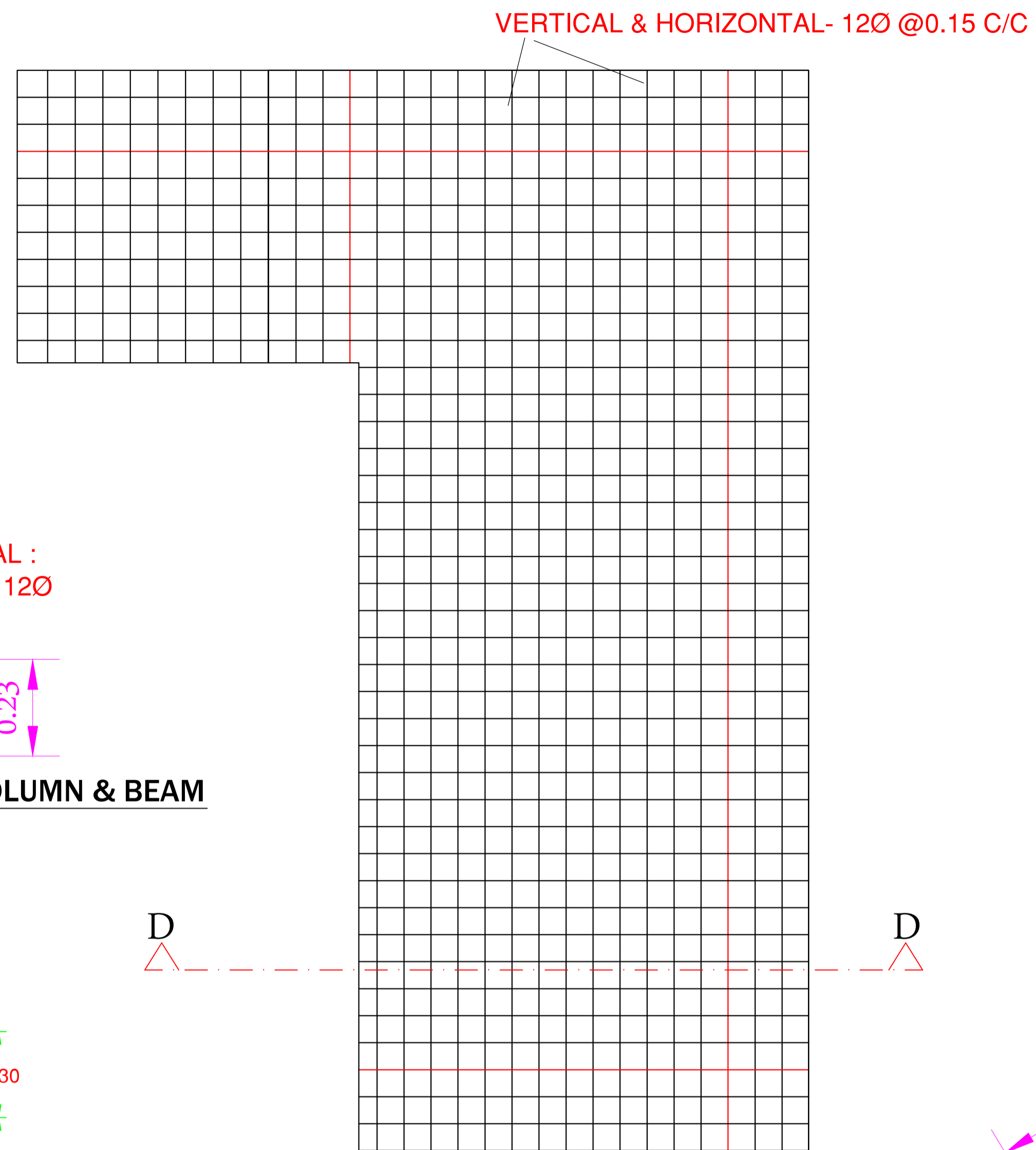
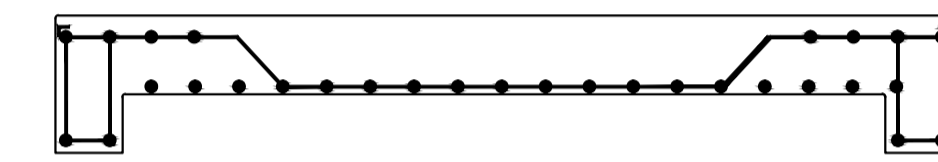
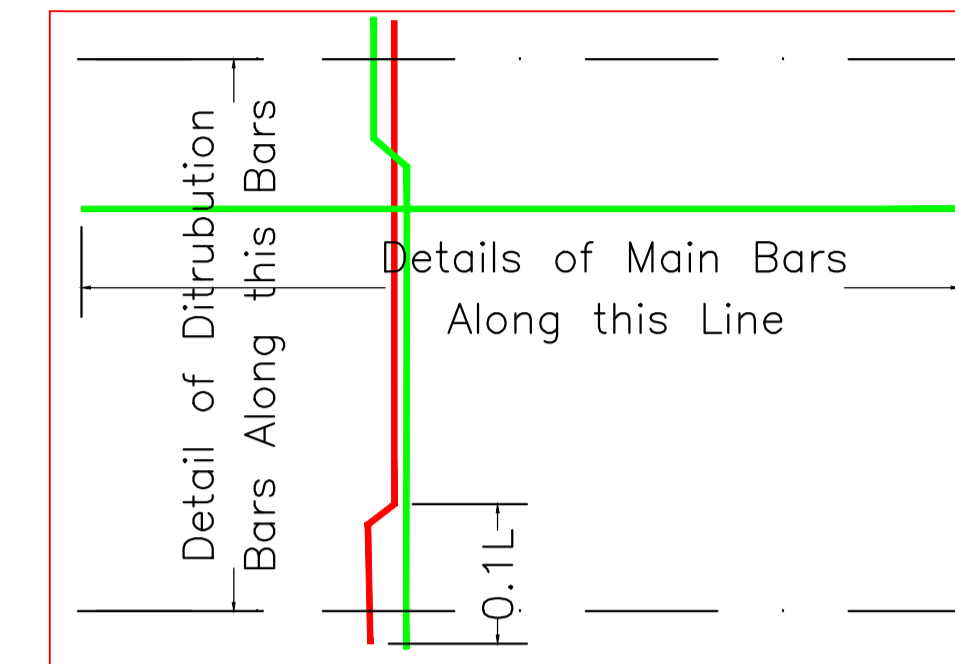


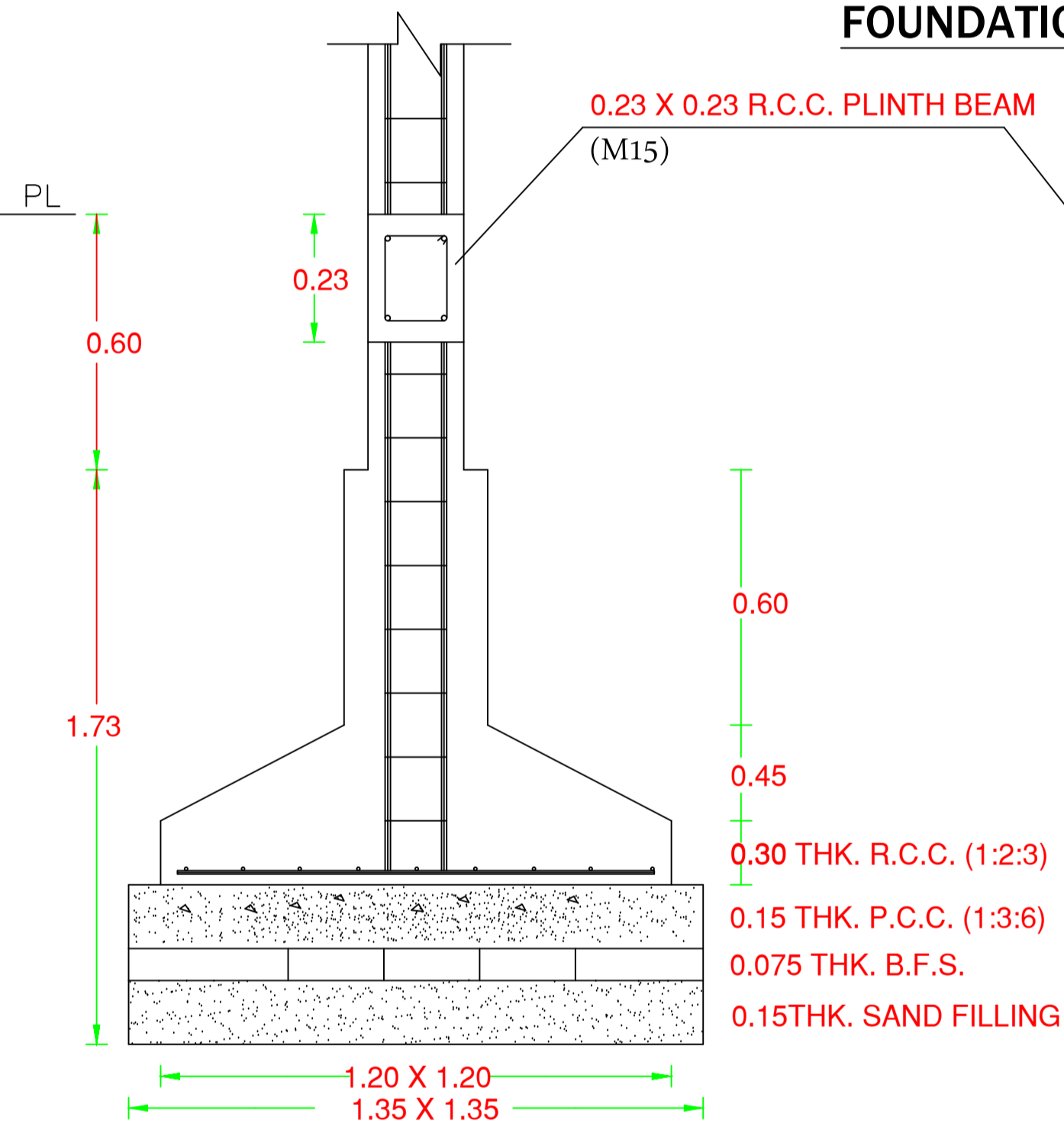
FOUNDATION PLAN



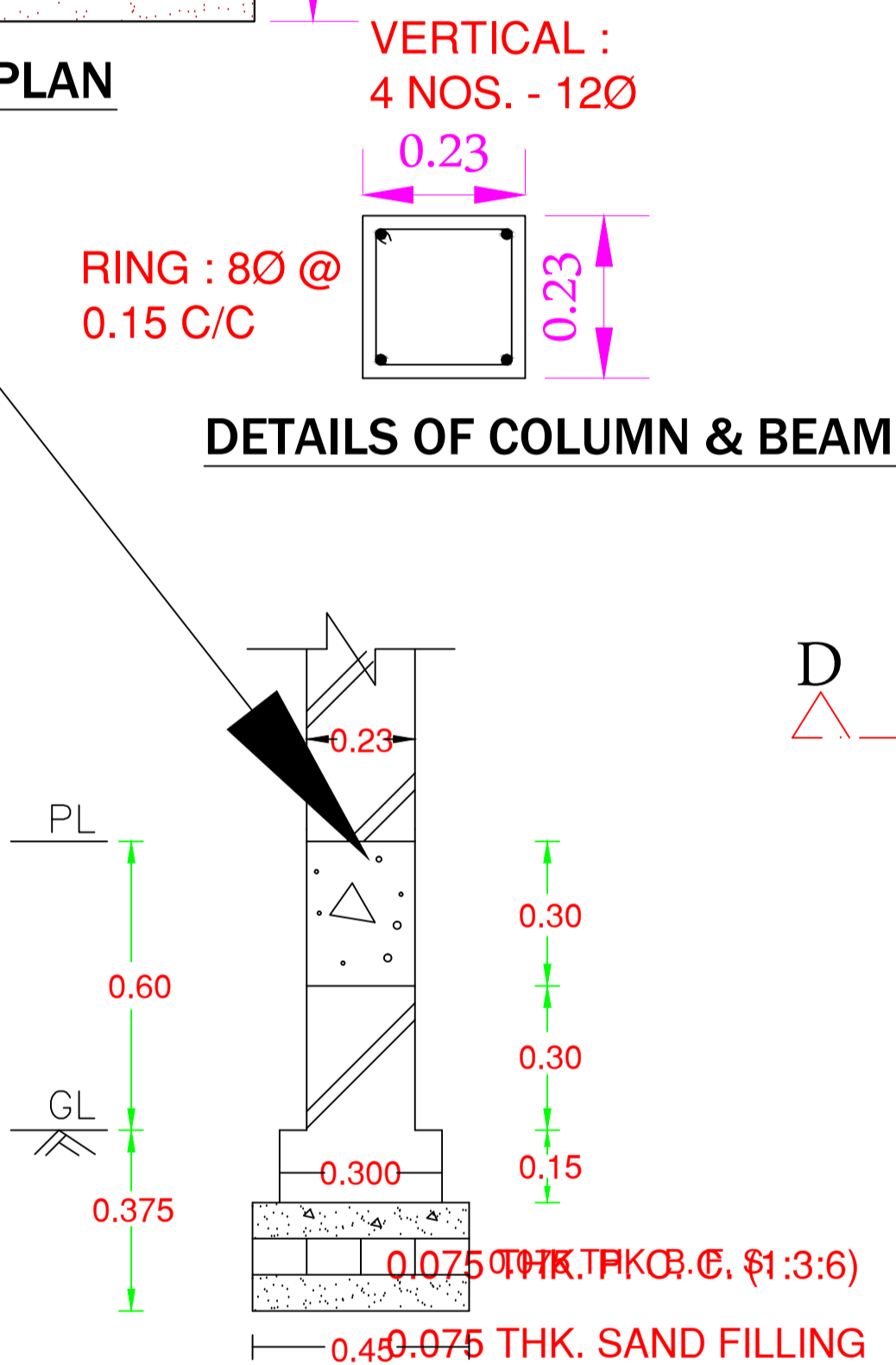
BOTTOM REINFORCEMENT PLAN



SECTION - D:D

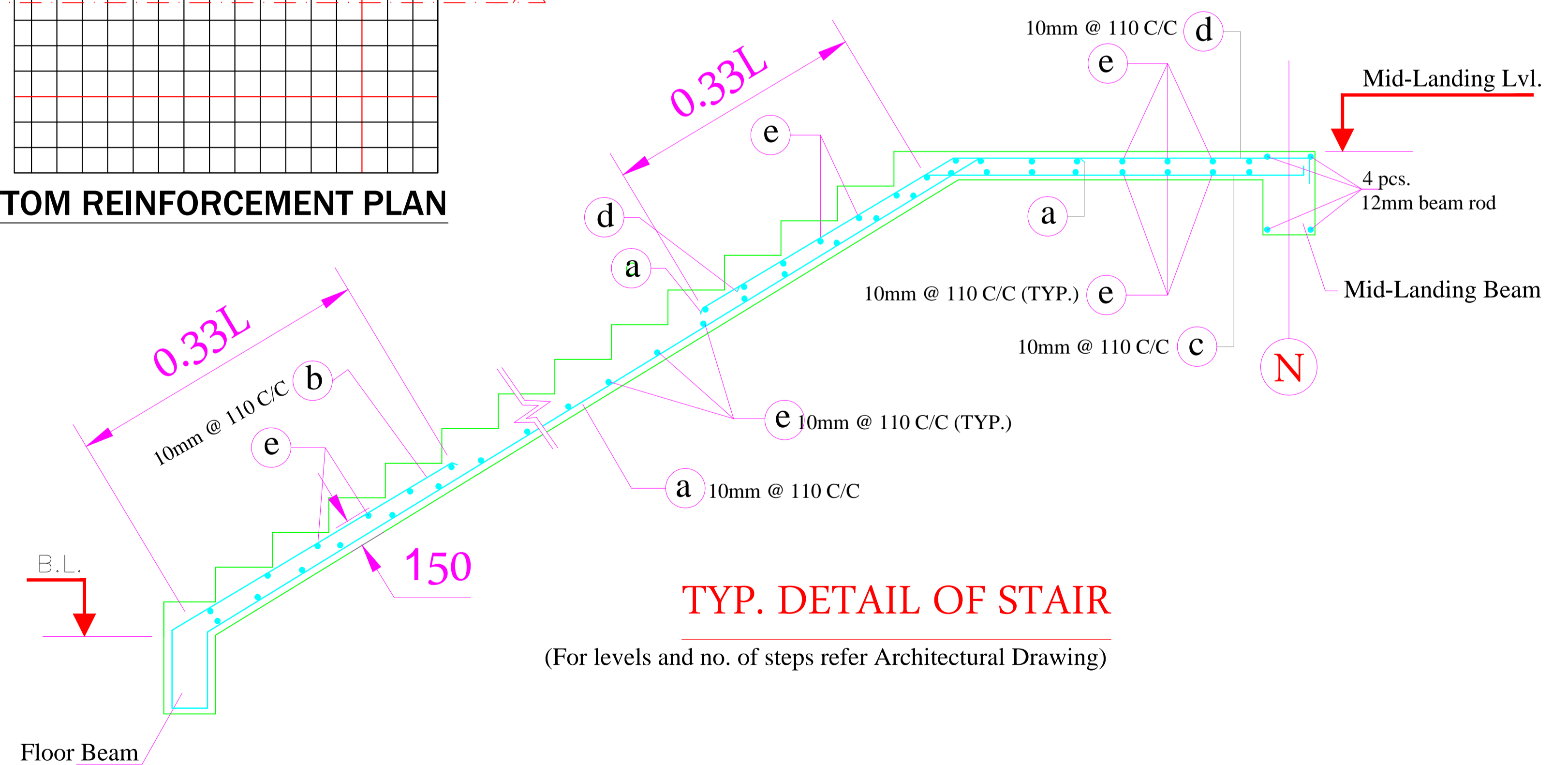


FOUNDATION DETAILS OF COLUMN



FOUNDATION DETAILS OF WALL

DETAILS OF COLUMN & BEAM



TYP. DETAIL OF STAIR

(For levels and no. of steps refer Architectural Drawing)

Structure Detail