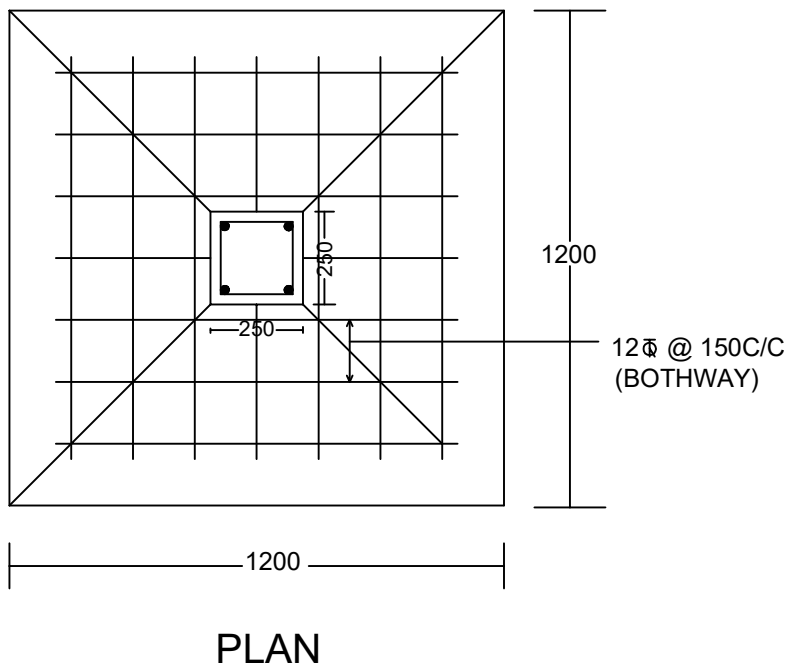


ROOF BEAM



PLAN

# DETAIL OF COLUMNS