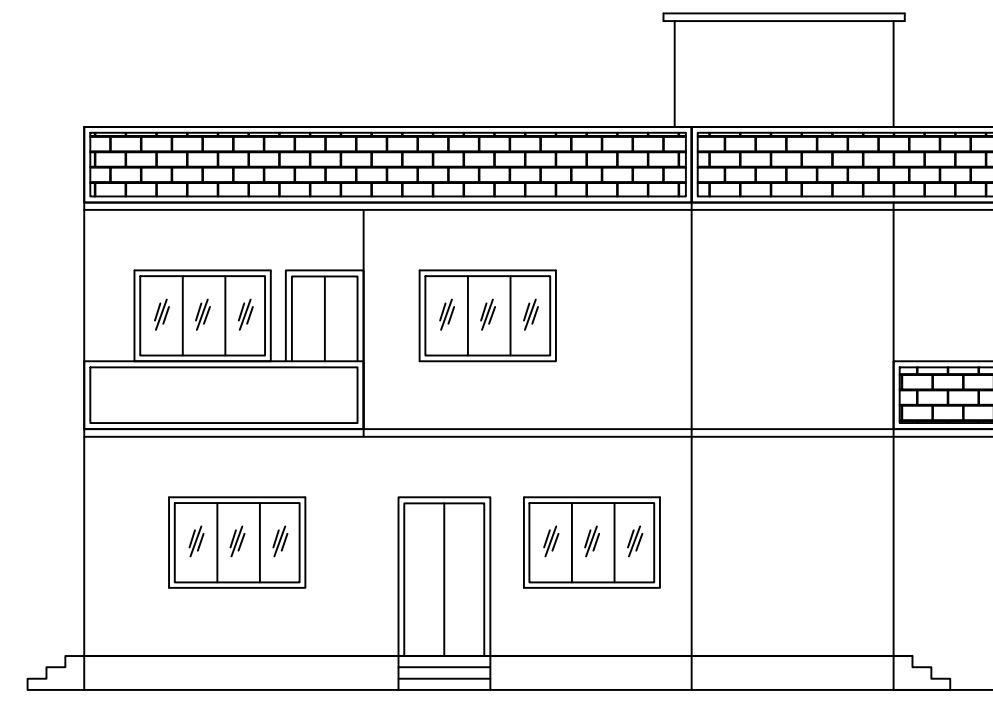
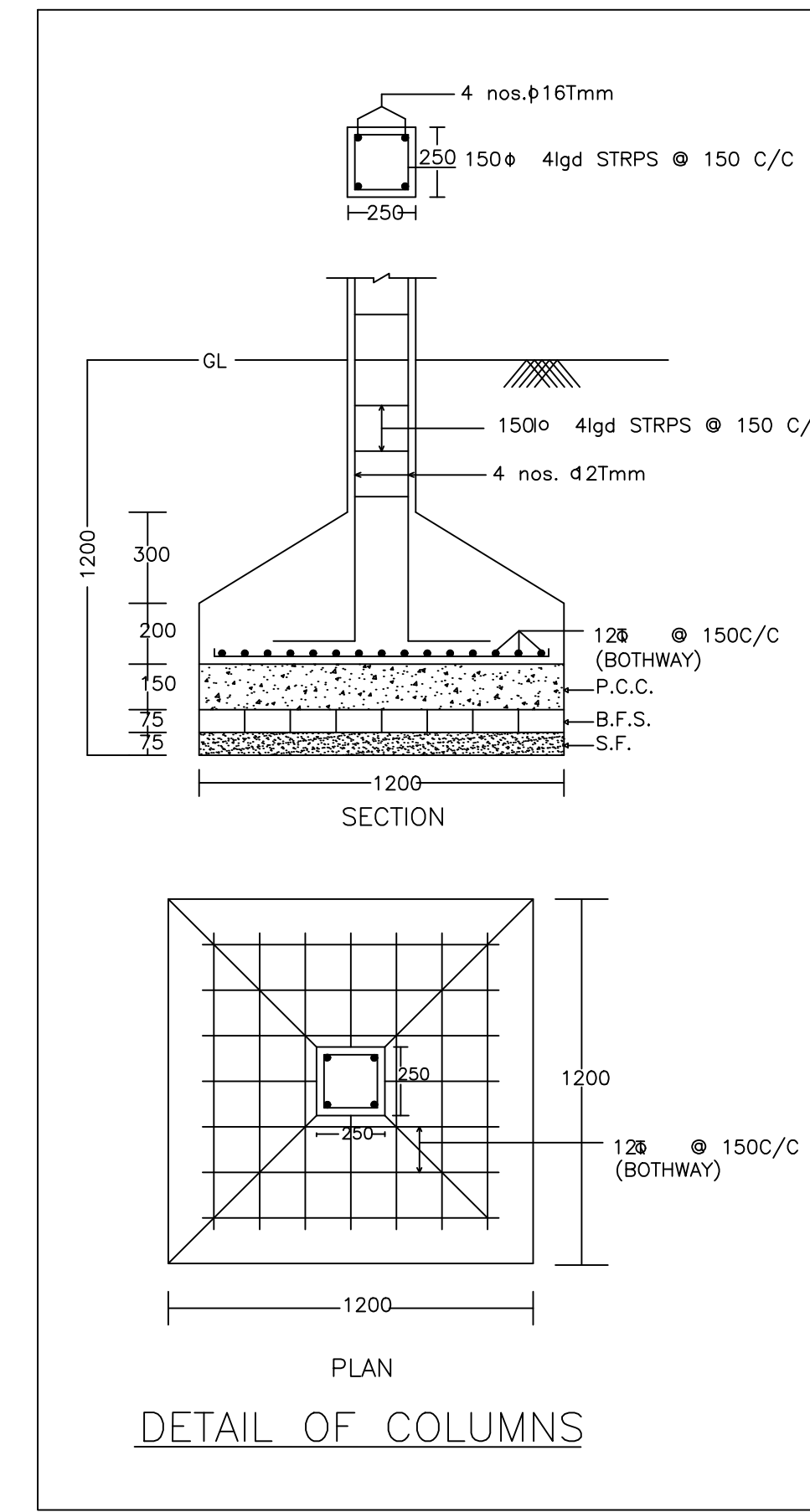


LAXMI PRASAD GUPTA

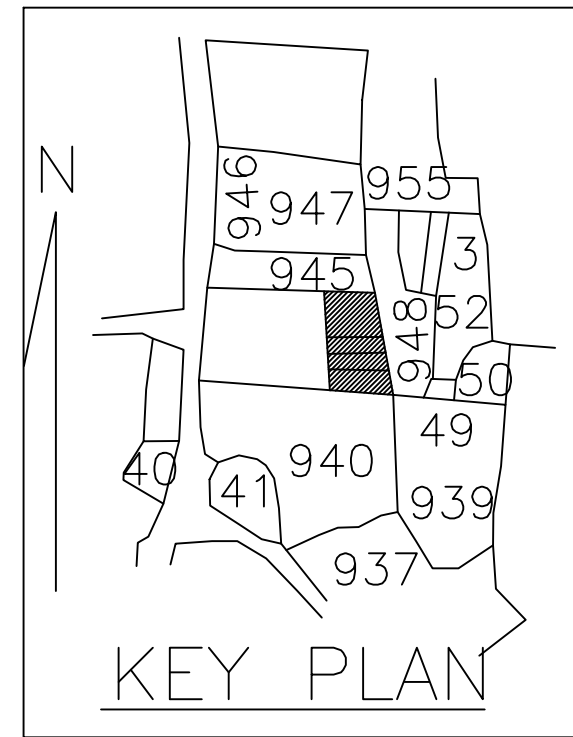
KANHAIYA KUMAR GUPTA



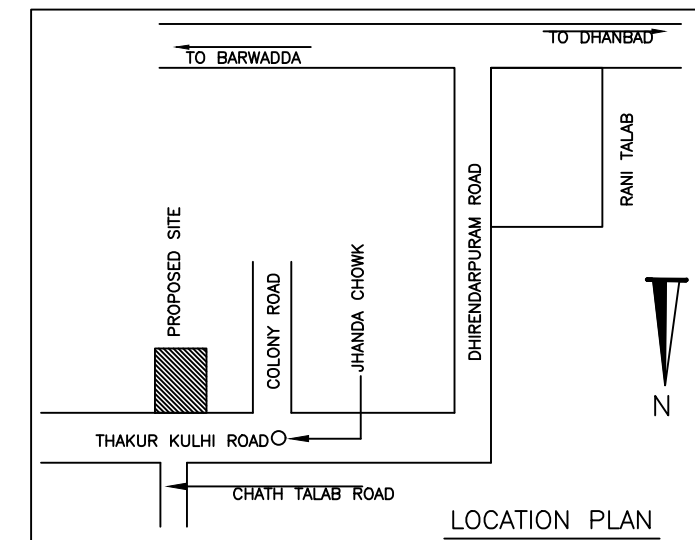
FRONT ELEVATION



DETAIL OF COLUMNS



961



LOCATION PLAN

SITE PLAN

UnitBUA Table for Building :AA (AA)

FLOOR	Name	UnitBUA Type	UnitBUA Area	Carpet Area	No. of Rooms	No. of Tenement
GROUND FLOOR PLAN	SPLIT AA	FLAT	254.53	254.25	11	1
FIRST FLOOR PLAN	SPLIT AA	FLAT	0.00	0.00	12	0
Total:			254.53	254.25	23	1

Building USE/SUBUSE Details

Building Name	Building Use	Building SubUse	Building Structure
AA (AA)	Residential	Bungalow/ Dwelling / Non Apartment	Non-Highrise

FAR & Tenement Details (Table 4c-1)

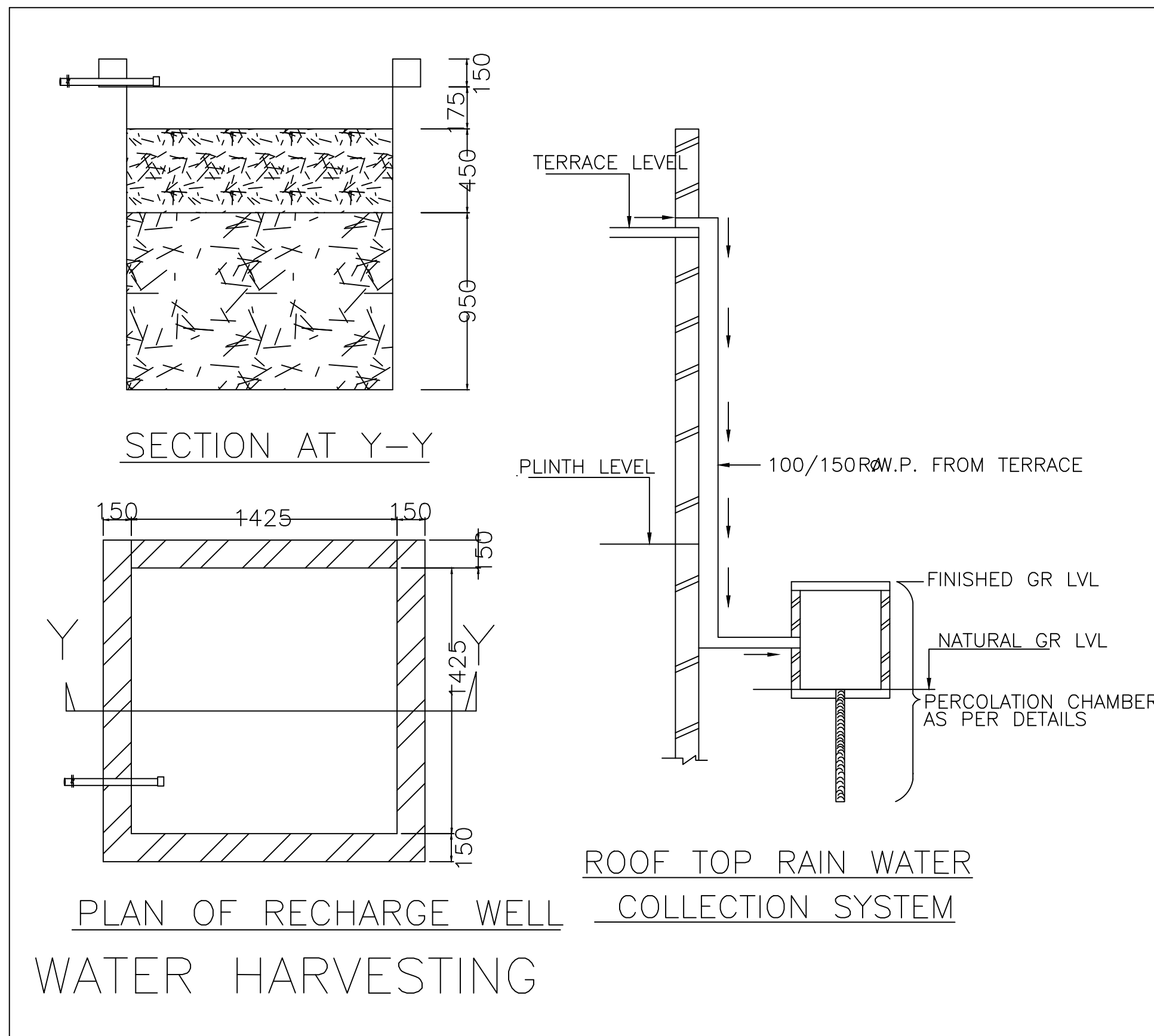
Building	No. of Same Bldg	Total Built Up Area (Sq.mt.)	Proposed FAR Area (Sq.mt.) Resi.	Total FAR Area (Sq.mt.)	Total Consumed Additional FAR Area (Sq.mt.)	Tnmt (No.)
AA (AA)	1	254.53	254.53	254.53	254.53	01
Grand Total :	1	254.53	254.53	254.53	254.53	01

SCHEDULE OF DOOR:

BUILDING NAME	NAME	LENGTH	HEIGHT	NOS
AA (AA)	D3	0.76	2.10	04
AA (AA)	D2	0.91	2.10	04
AA (AA)	D3	0.91	2.10	01
AA (AA)	D3	0.95	2.10	01
AA (AA)	D1	1.07	2.10	07
AA (AA)	D2	1.07	2.10	01
AA (AA)	D	1.07	2.10	01
AA (AA)	D	1.10	2.10	01
AA (AA)	D	1.22	2.10	02
AA (AA)	D1	1.22	2.10	02

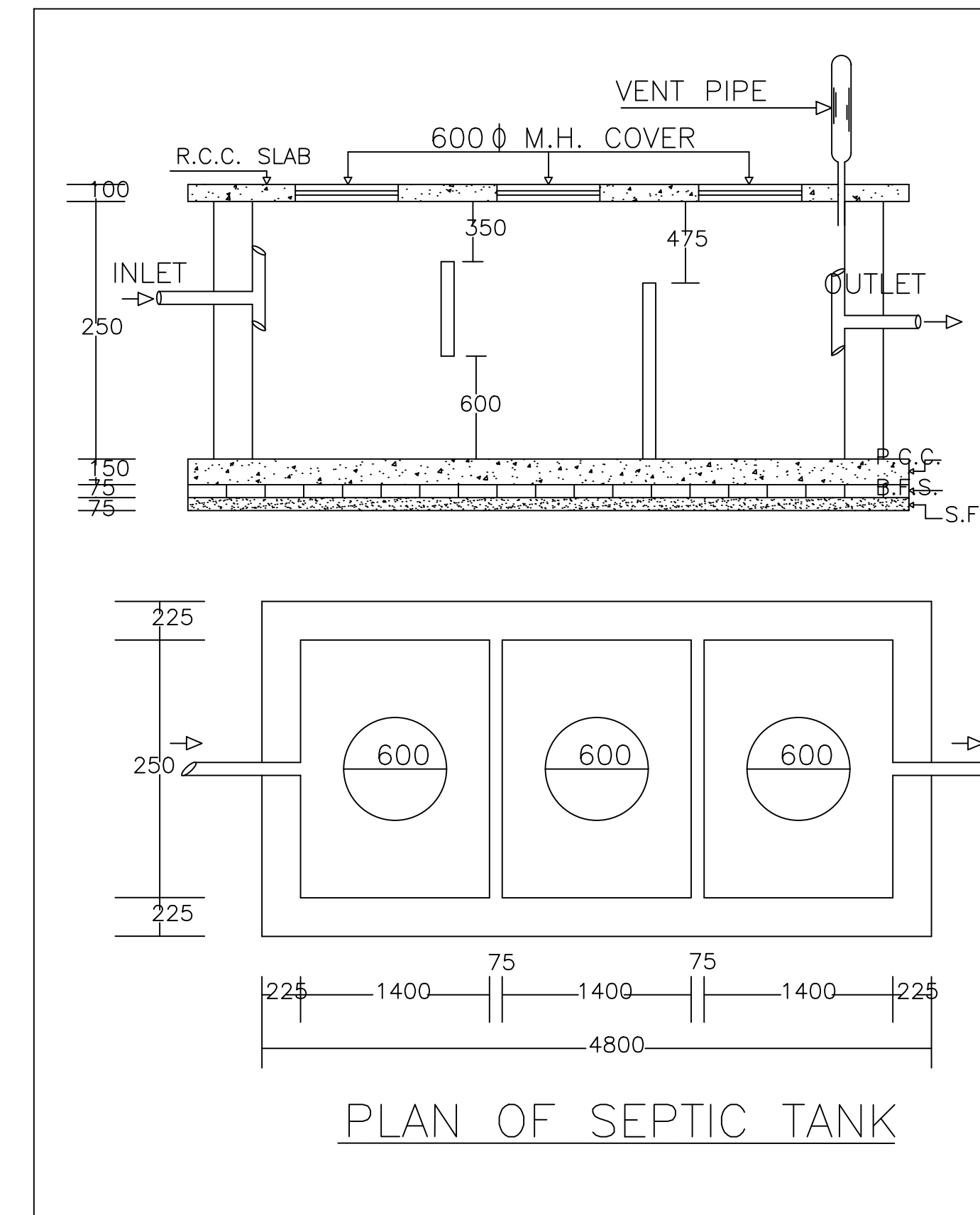
SCHEDULE OF WINDOW/VENTILATION:

BUILDING NAME	NAME	LENGTH	HEIGHT	NOS
AA (AA)	V	0.61	1.20	06
AA (AA)	W1	1.07	1.20	02
AA (AA)	W	1.22	1.20	01
AA (AA)	W	1.80	1.20	13
AA (AA)	W	1.90	1.20	01



PLAN OF RECHARGE WELL WATER HARVESTING

ROOF TOP RAIN WATER COLLECTION SYSTEM



PLAN OF SEPTIC TANK

COLOR INDEX

PLOT BOUNDARY	Black
ABUTTING ROAD	Green
PROPOSED CONSTRUCTION	Red
COMMON PLOT	Yellow
ROAD WIDENING AREA	Blue
EXISTING (To be retained)	Light Blue
EXISTING (To be demolished)	Light Yellow

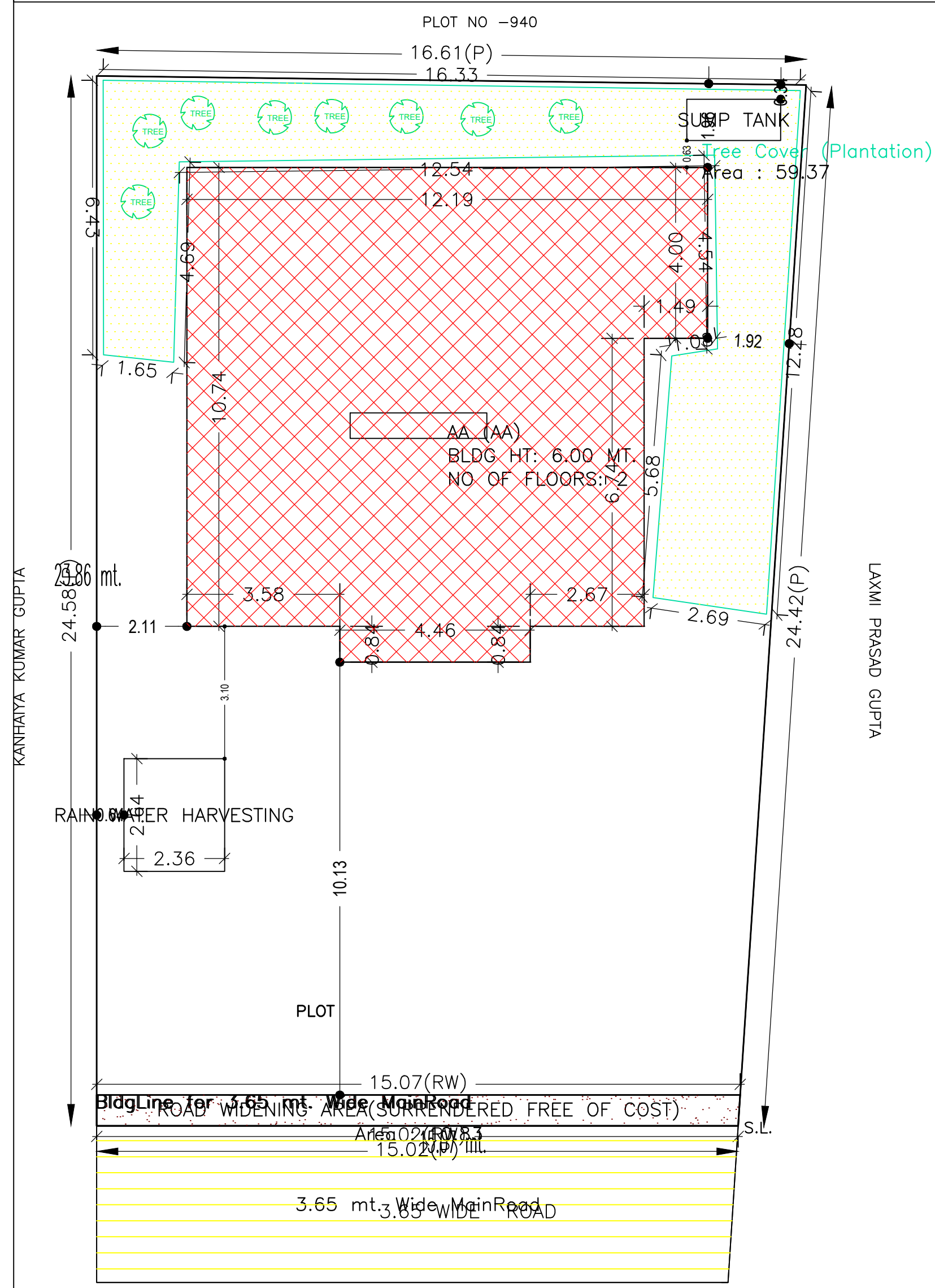
Buildingwise Floor FAR Details

Floor Name	Building Name AA (AA)		Total	
	Proposed Built Up Area (Sq.mt.)	Proposed FAR Area (Sq.mt.)	Total Proposed Built Up Area (Sq.mt.)	Total FAR Area (Sq.mt.)
Ground Floor	124.71	124.71	124.71	124.71
First Floor	129.82	129.82	129.82	129.82
Terrace Floor	0.00	0.00	0.00	0.00
Total :	254.53	254.53	254.53	254.53

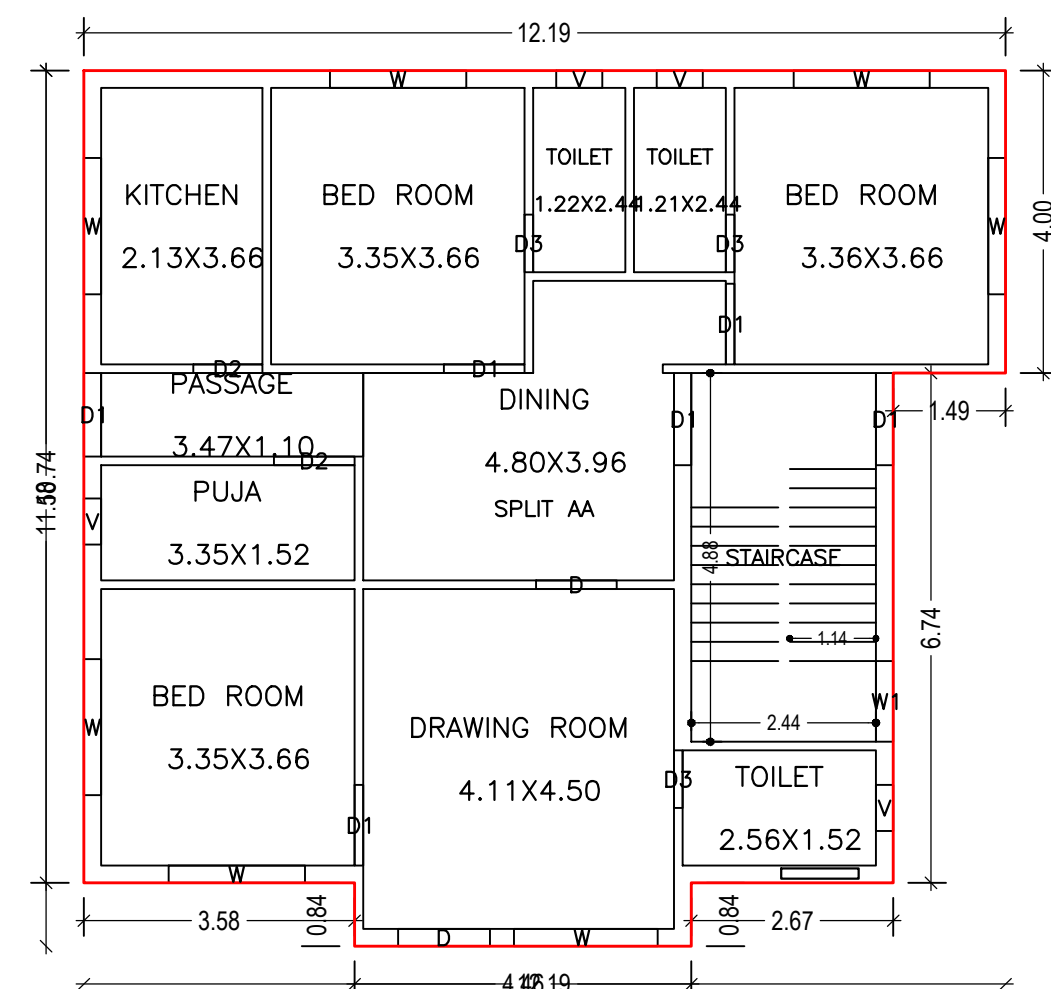
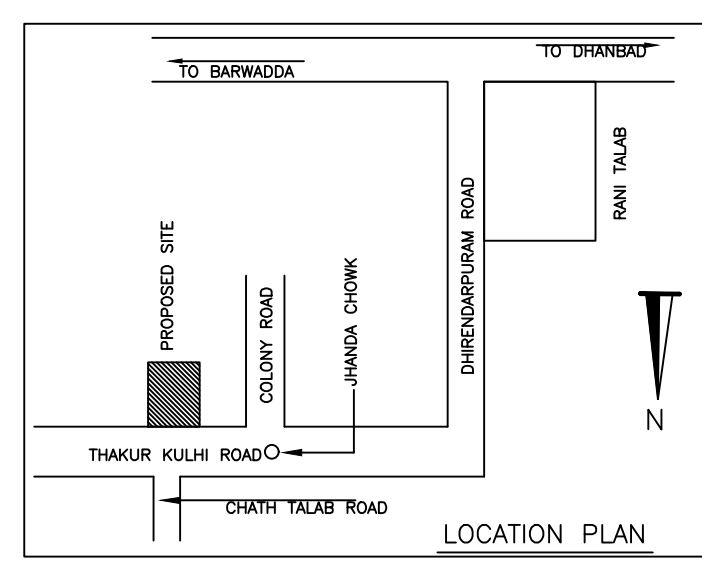
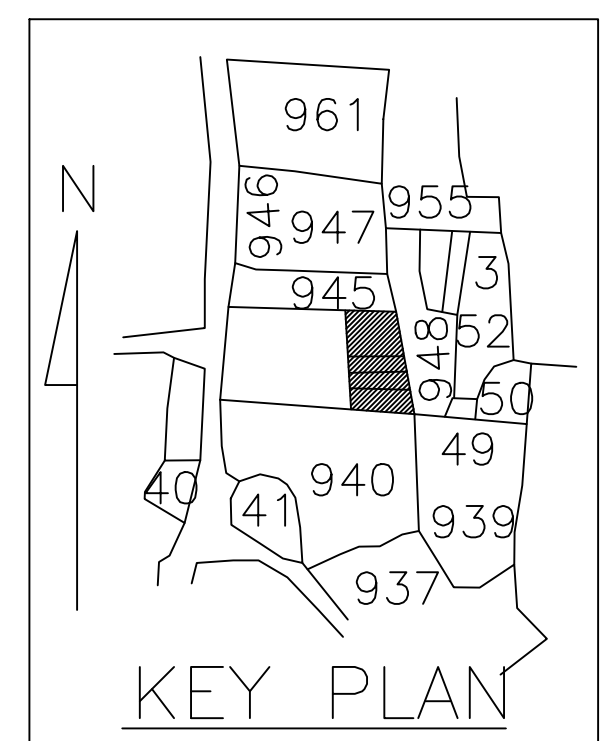
Building :AA (AA)

Floor Name	Total Built Up Area (Sq.mt.)	Proposed FAR Area (Sq.mt.) Resi.	Total FAR Area (Sq.mt.)	Total Consumed Additional FAR Area (Sq.mt.)	Tnmt (No.)
Ground Floor	124.71	124.71	124.71	124.71	01
First Floor	129.82	129.82	129.82	129.82	00
Terrace Floor	0.00	0.00	0.00	0.00	00
Total :	254.53	254.53	254.53	254.53	01
Total Number of Same Buildings :	1				
Total :	254.53	254.53	254.53	254.53	01

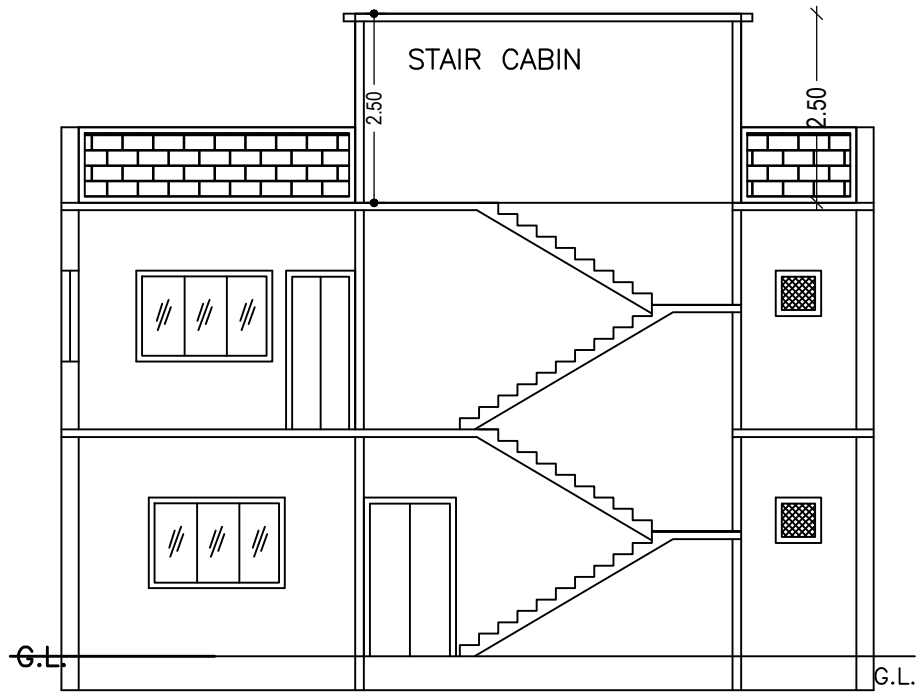
LTP NAME AND SIGNATURE	STRUCTURAL ENG'S NAME AND SIGNATURE	BUILDER NAME AND SIGNATURE	DIGITAL SIGNATURE
AMRESH KUMAR BHARTI DMC/ENG/0022/2016			



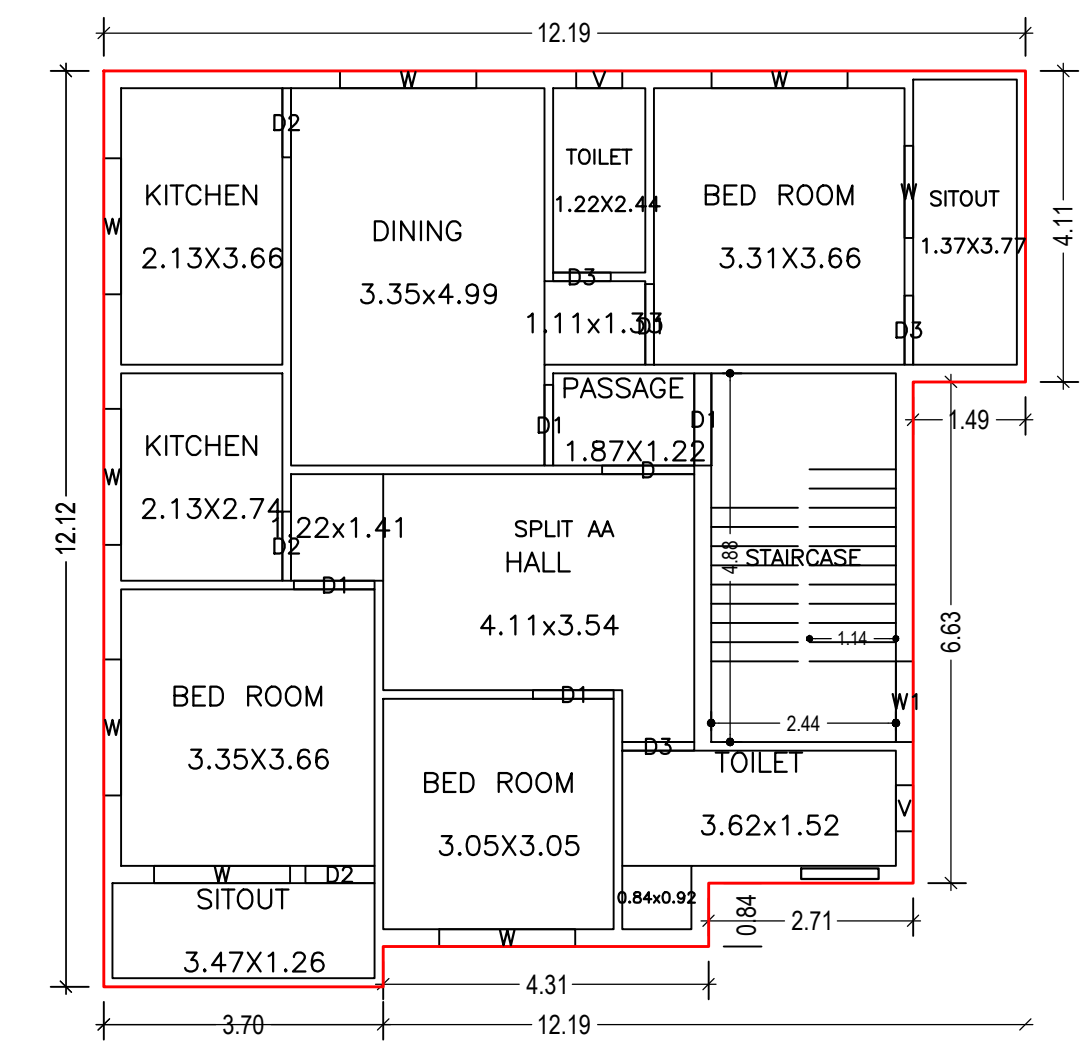
SITE PLAN
 SITE PLAN



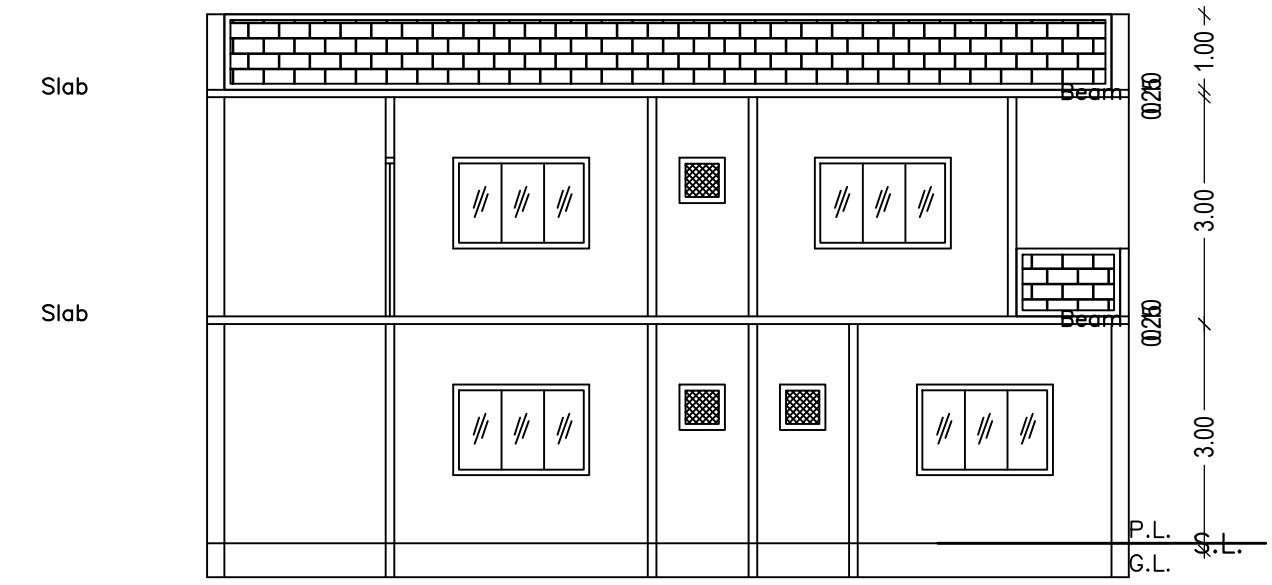
GROUND FLOOR PLAN
 (Proposed)
 (SCALE 1:100)



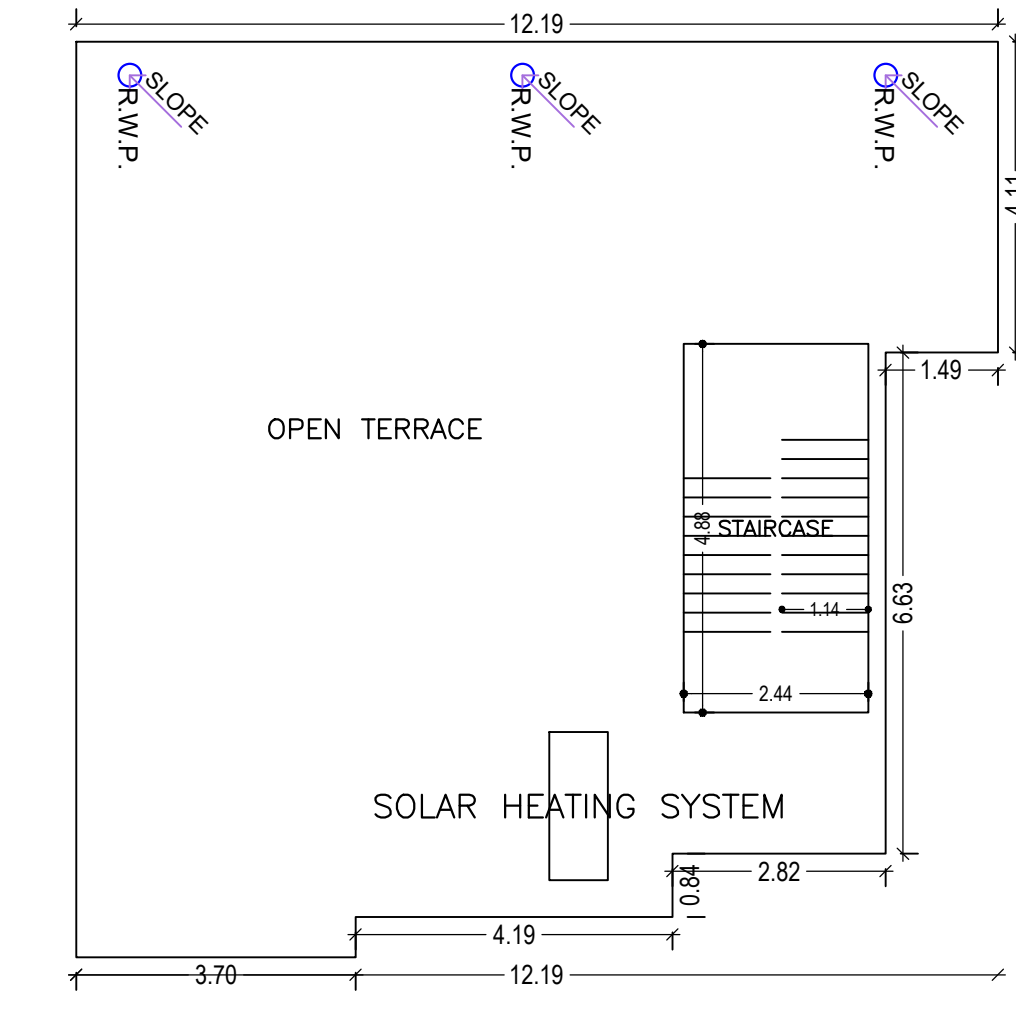
SECTION ON X-X



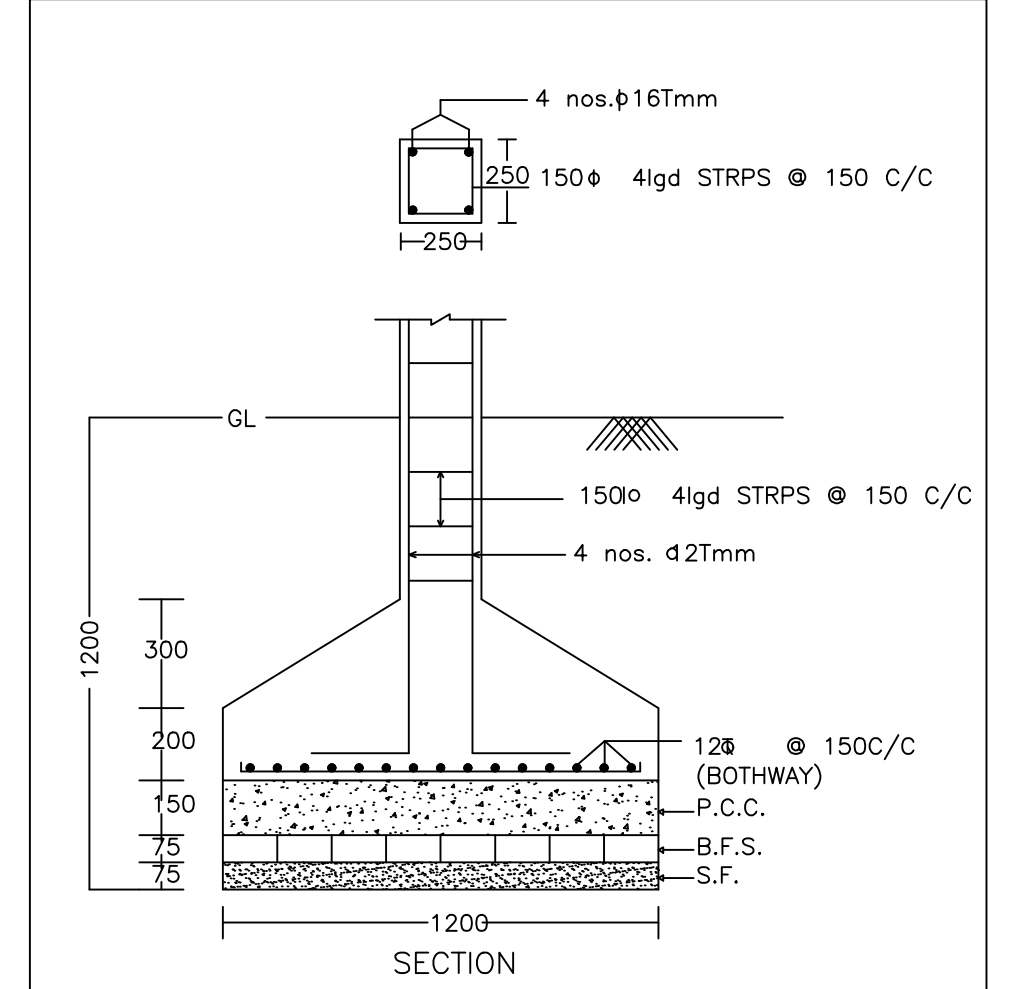
FIRST FLOOR PLAN
 (Proposed)
 (SCALE 1:100)



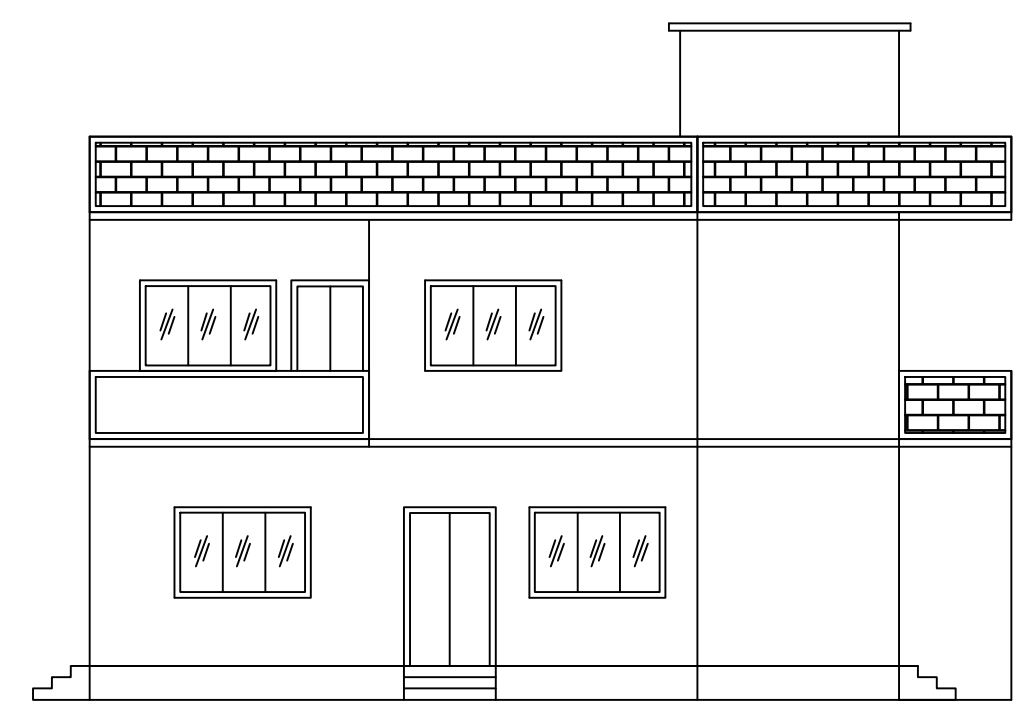
SECTION ON Y-Y



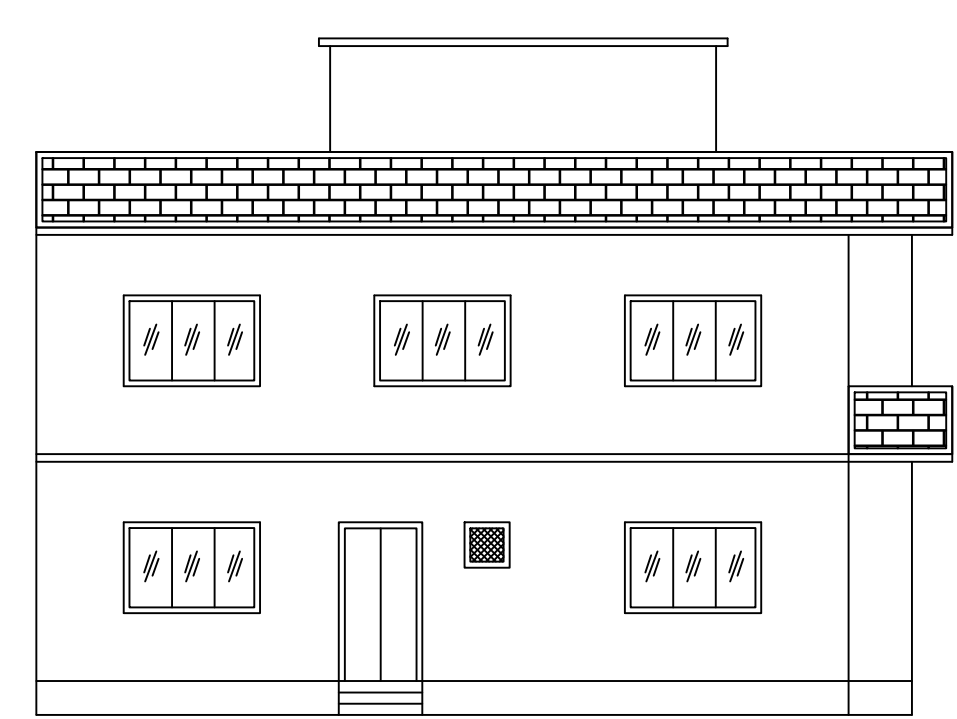
TERRACE FLOOR PLAN
 (SCALE 1:100)



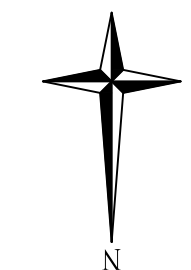
DETAIL OF COLUMNS



FRONT ELEVATION



LEFT SIDE ELEVATION



LTP NAME AND SIGNATURE	STRUCTURAL ENG'S NAME AND SIGNATURE	BUILDER NAME AND SIGNATURE	DIGITAL SIGNATURE
AMRESH KUMAR BHARTI DMC/ENG/0022/2016			