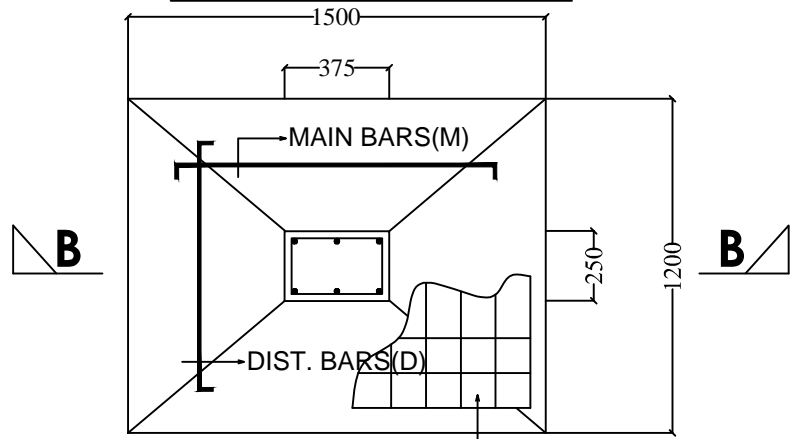


100 MM TH. P.C.C CASTING.  
 75 MM TH. BRICK FLAT SOLING.  
 75 MM TH. SAND FILLING.

**SECTION:-(B-B)**



FE< O FG T T ÔÊ  
 BOTH DIRECTION.

**FOUNDATION PLAN  
 OF CLOUMN**