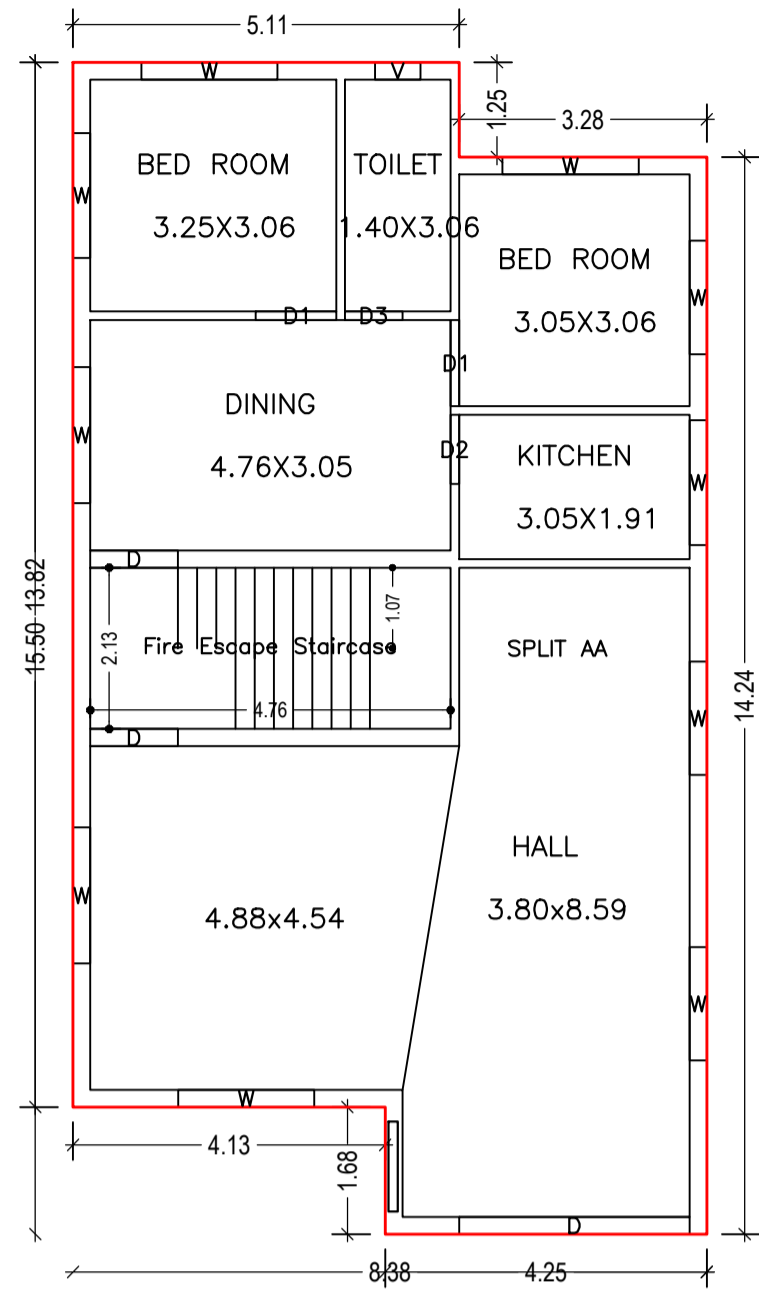
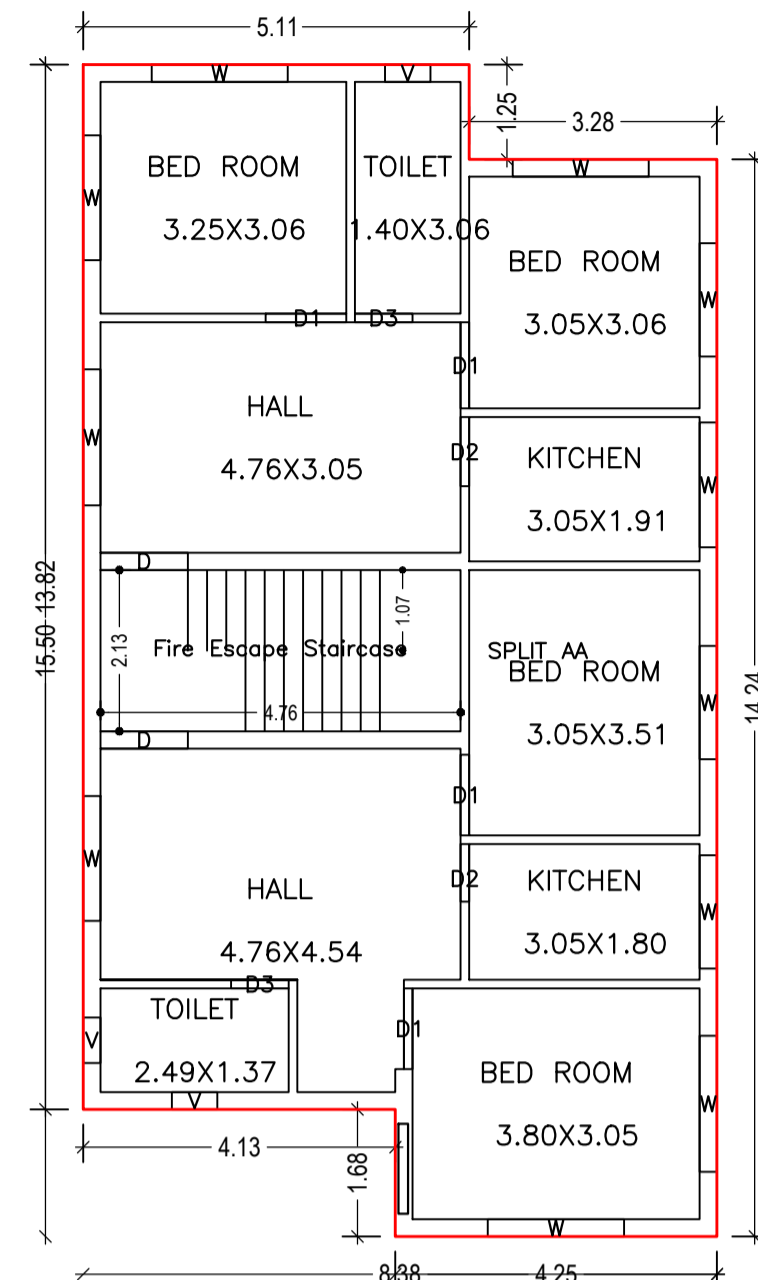


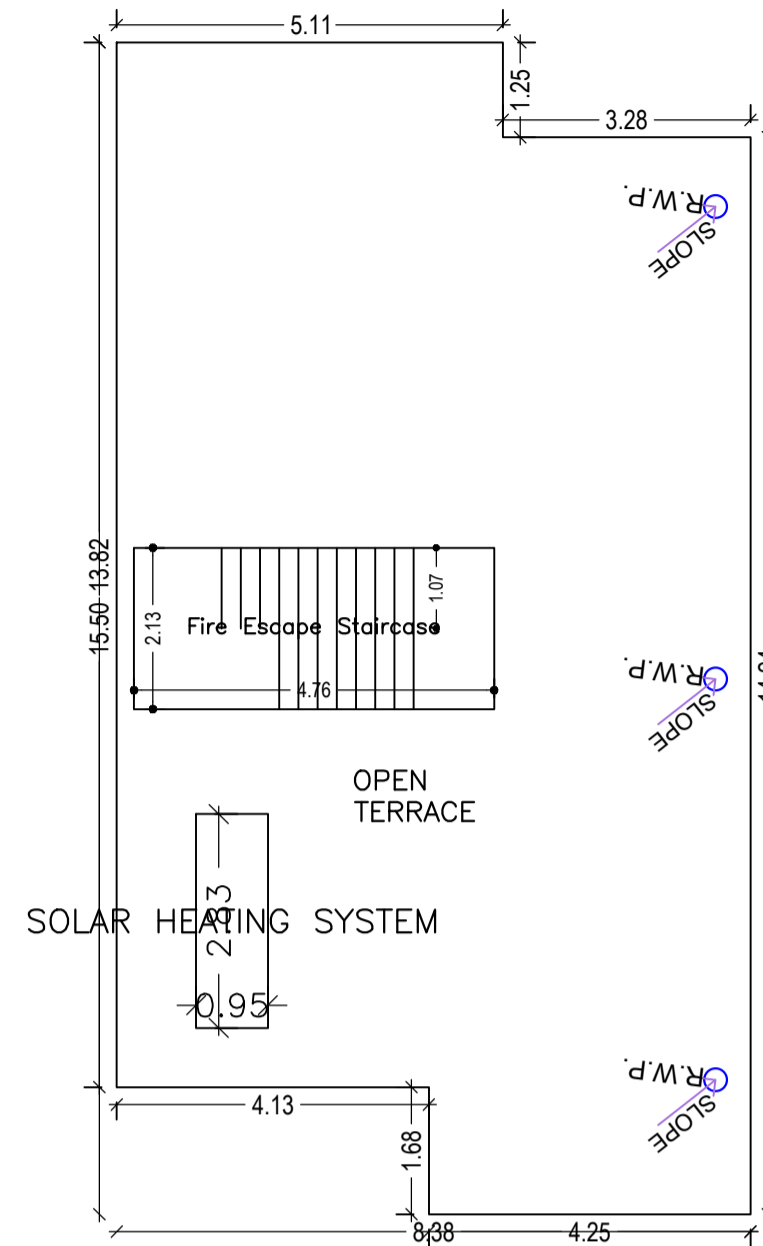
Proposal Basic Information	
Proposal File No.	DMC/BP/0074/W22/2023
Owner Name	SMT LILA DEVI
Khata No	40(OLD), 13(NEW)
Plot No	639, 640(OLD), 533(NEW)
Village Name	Bhelaland
Use	Residential
SubUse	Bungalow/ Dwelling / Non Apartment



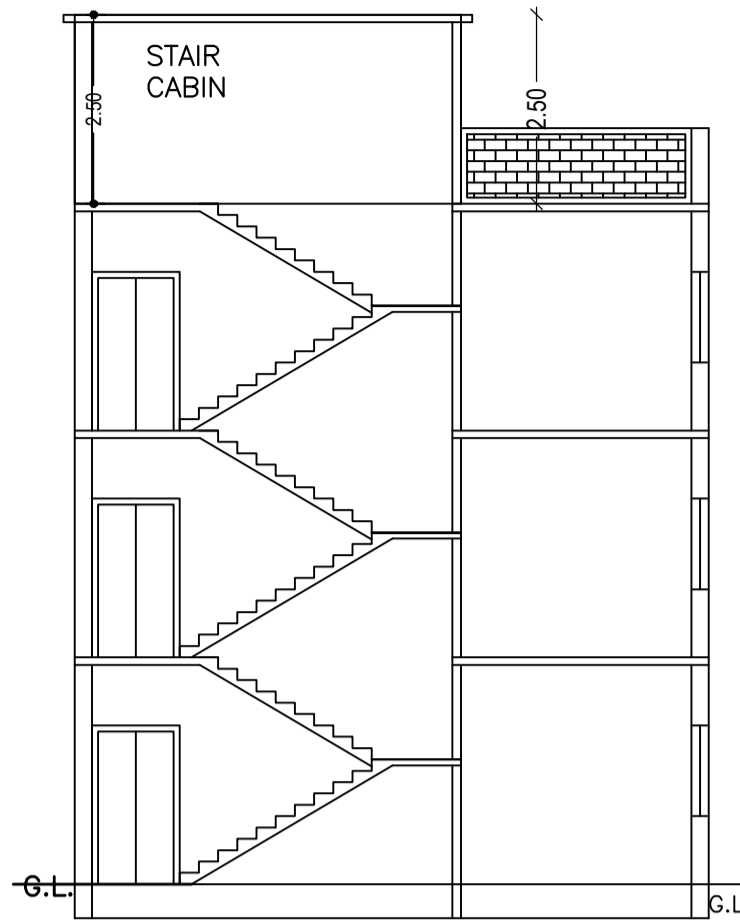
GROUND FLOOR PLAN (Proposed) (SCALE 1:100)



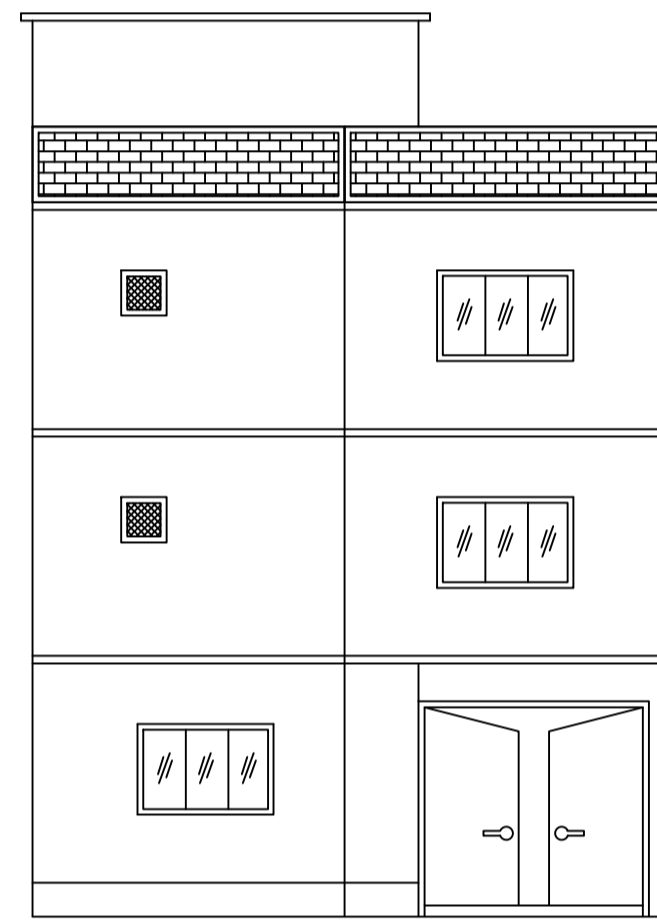
TYPICAL - 1, 2 FLOOR PLAN (Proposed) (SCALE 1:100)



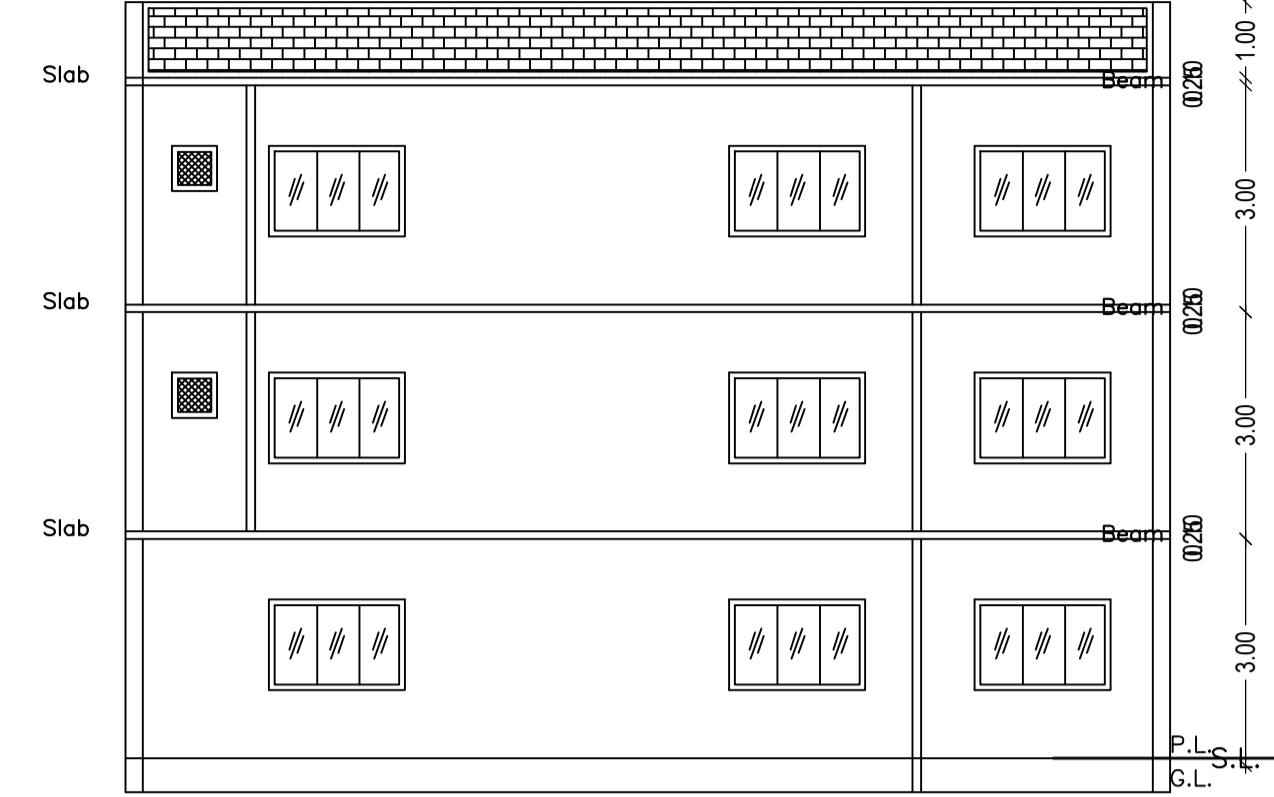
TERRACE FLOOR PLAN (SCALE 1:100)



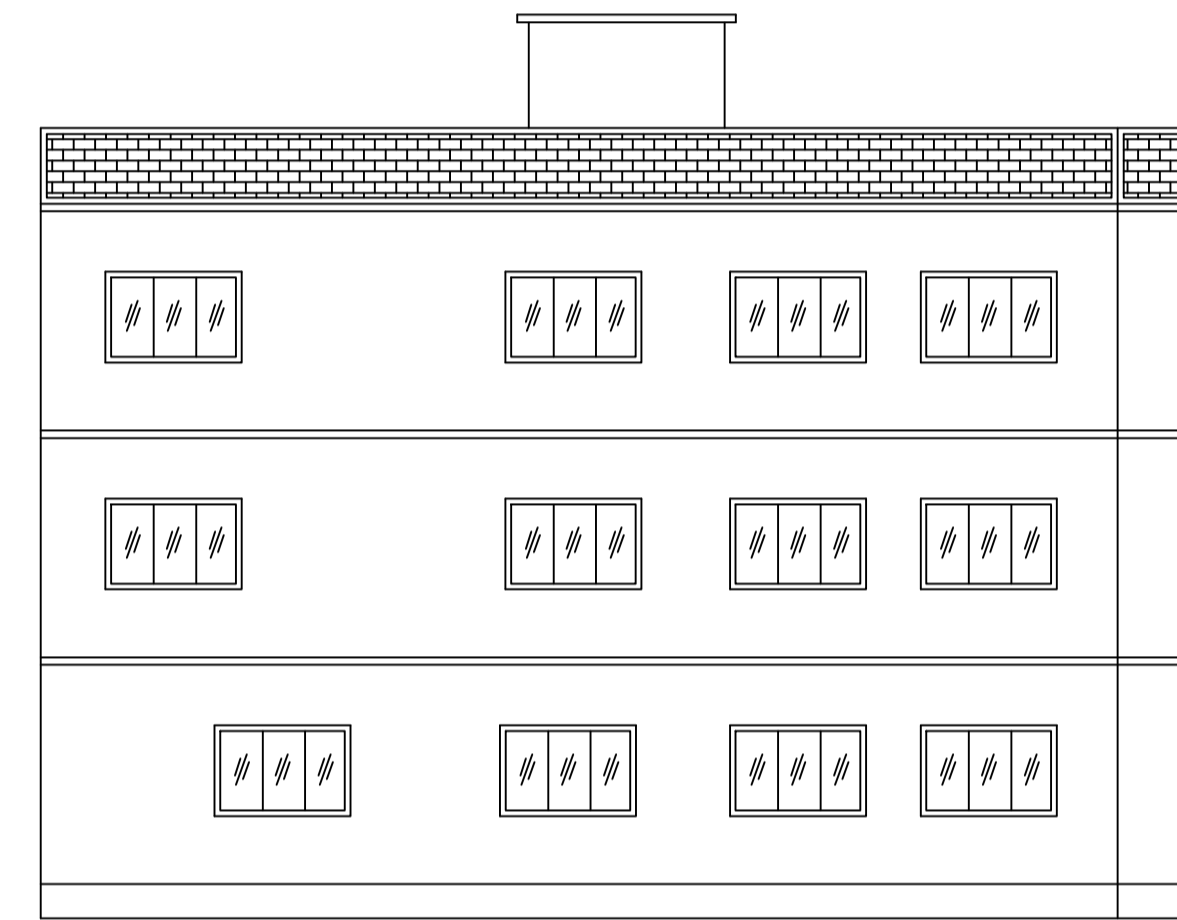
SECTION ON X-X



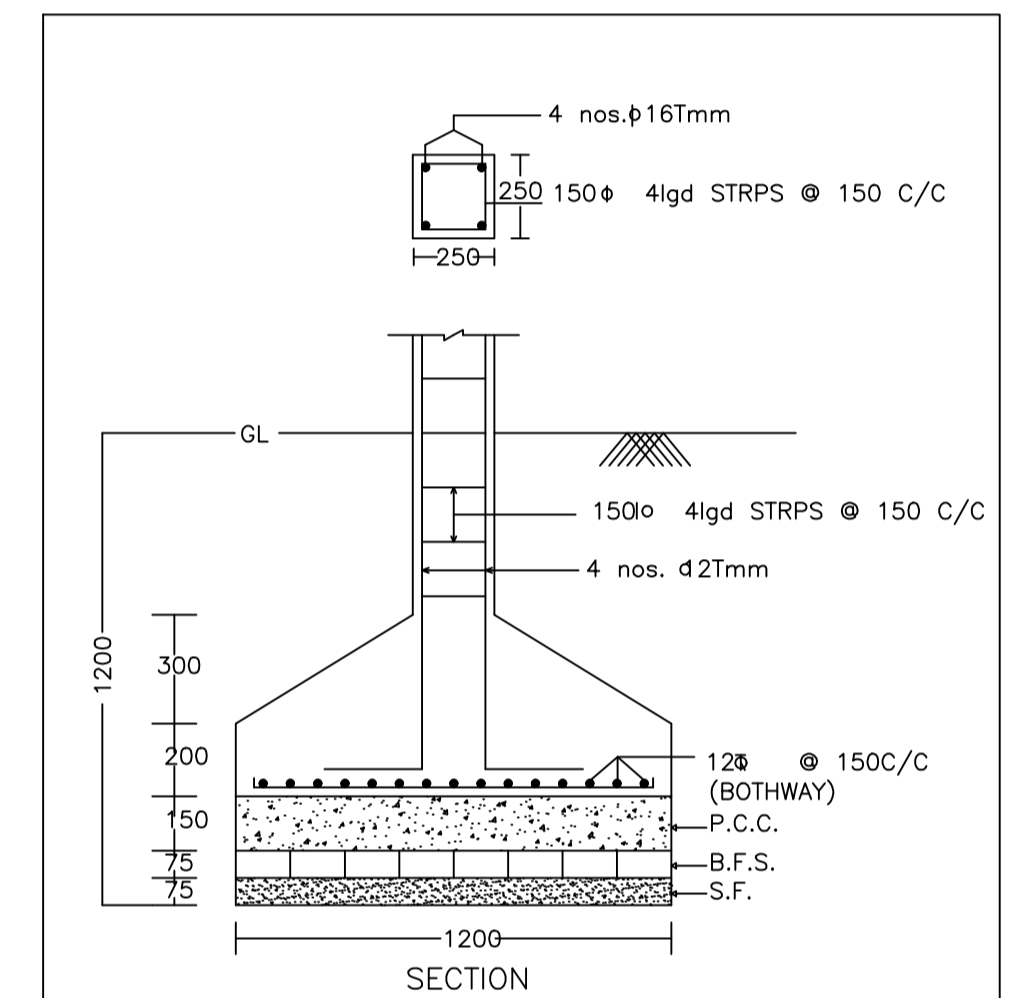
FRONT ELEVATION



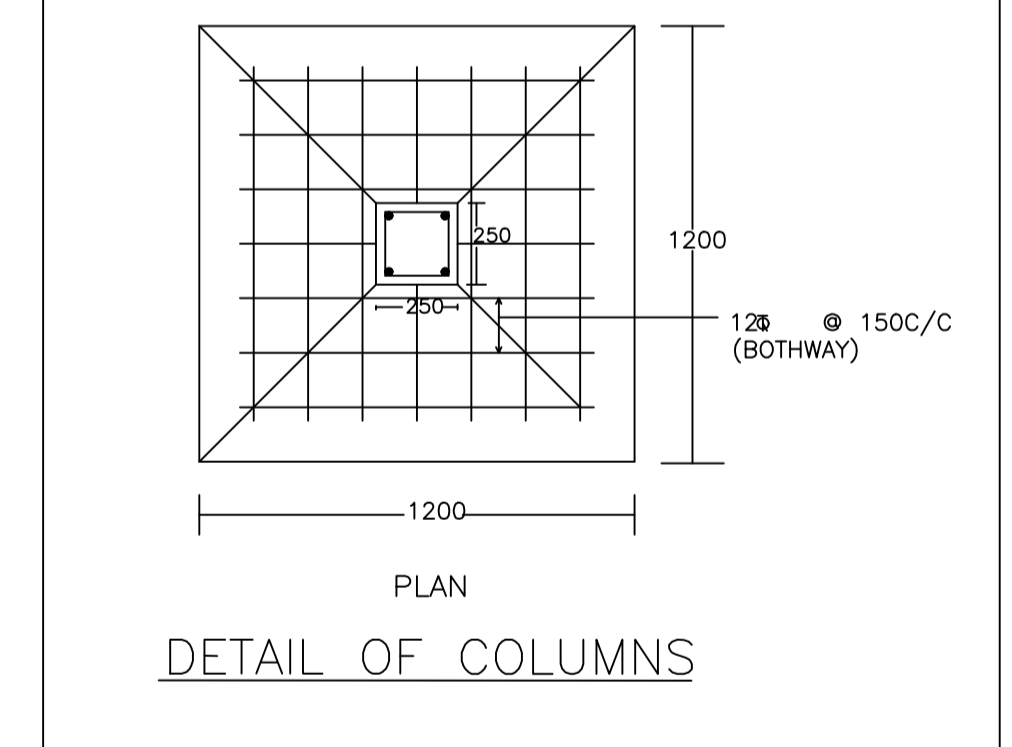
SECTION ON Y-Y



RIGHT SIDE ELEVATION

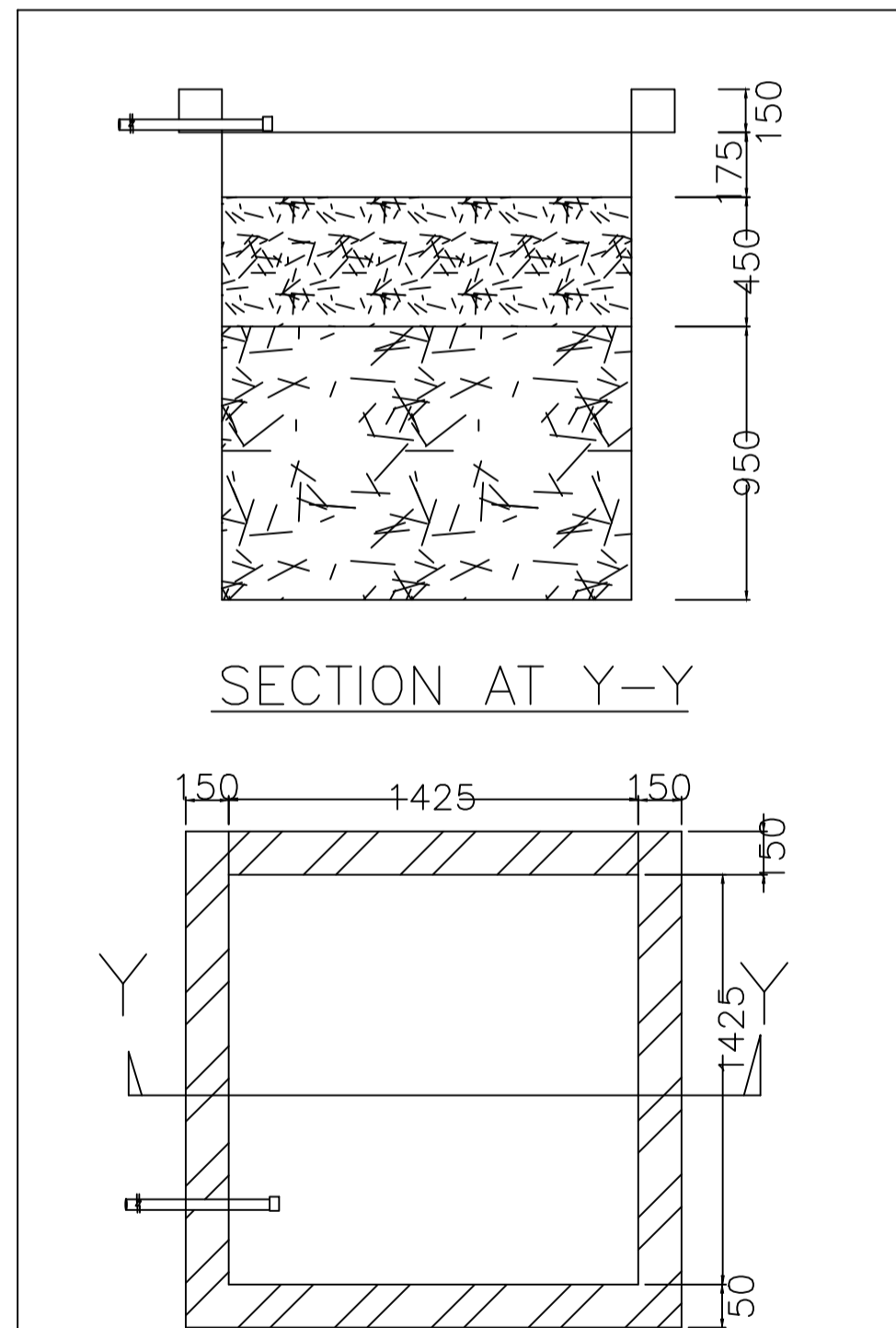


SECTION

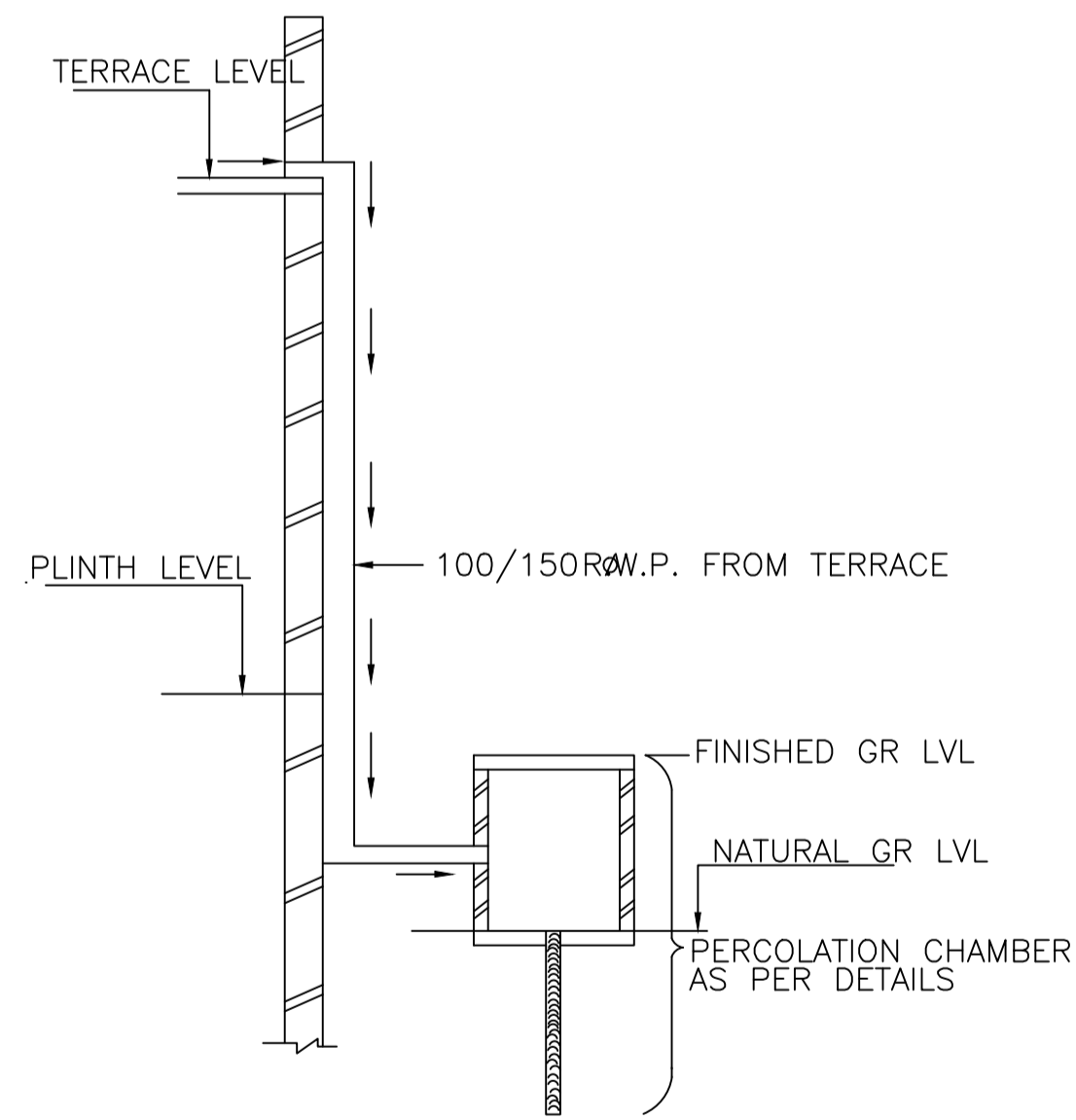


PLAN

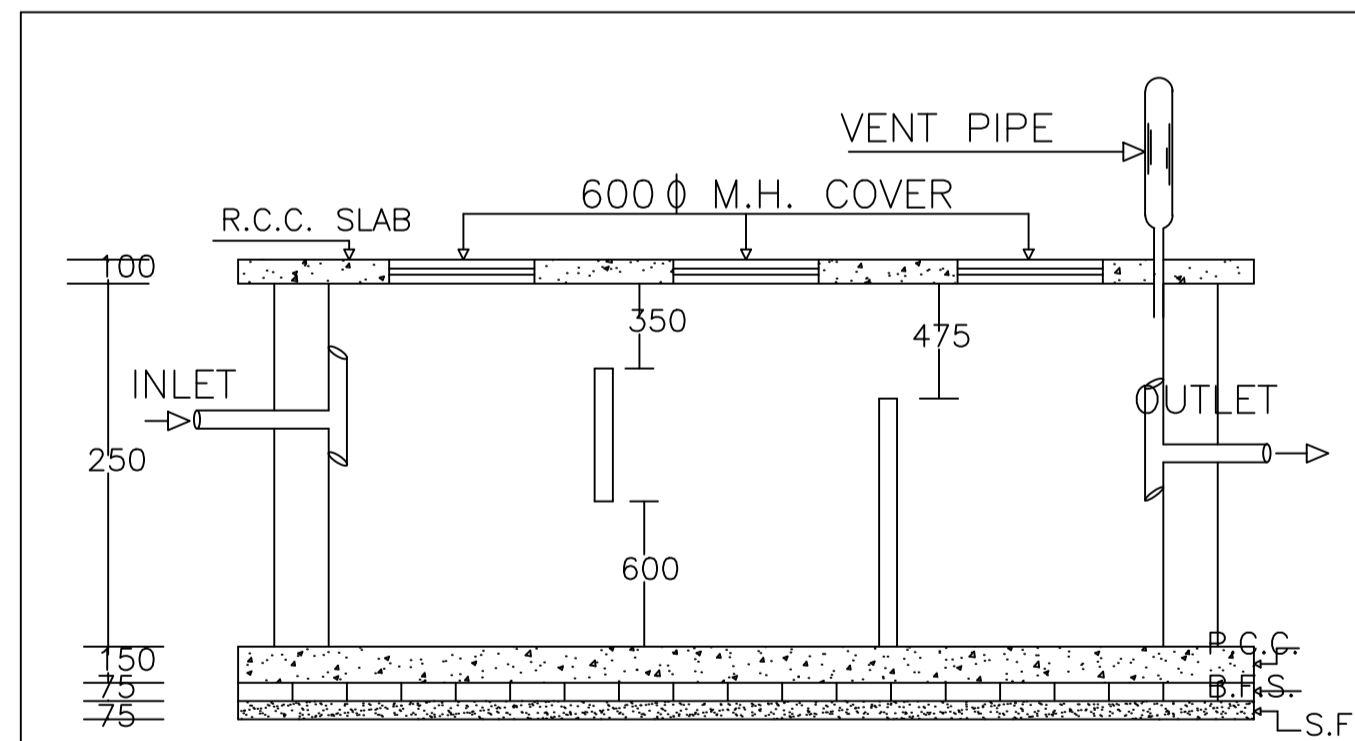
DETAIL OF COLUMNS



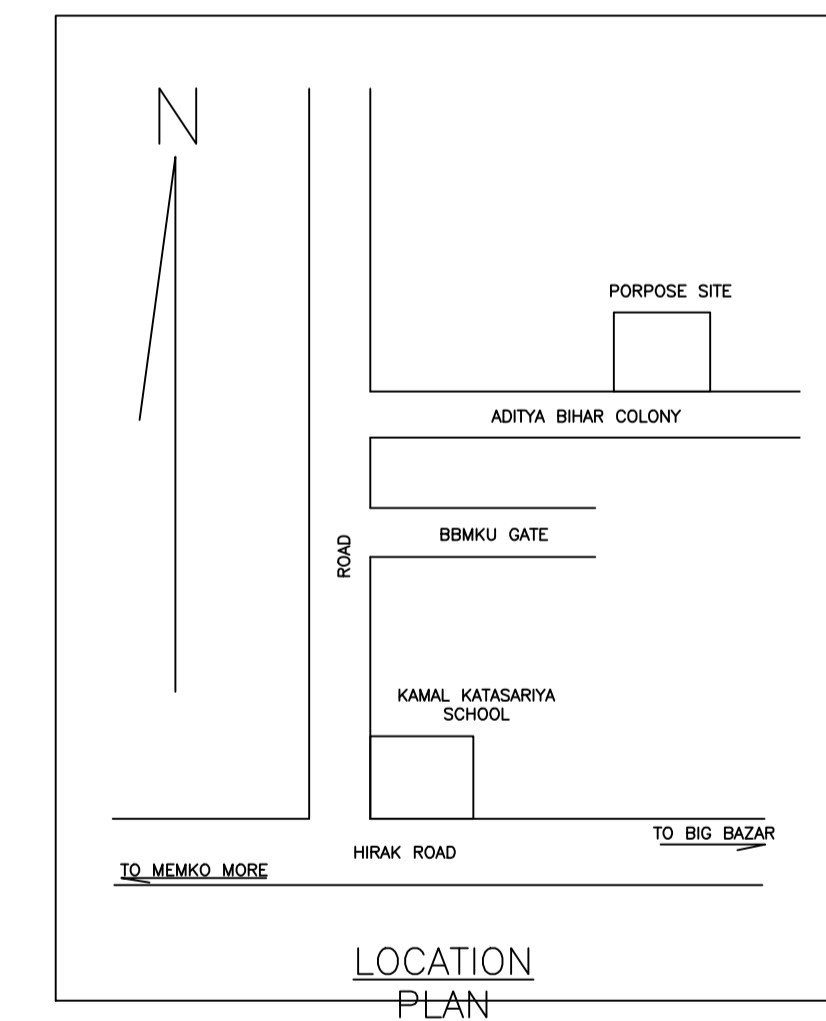
PLAN OF RECHARGE WELL WATER HARVESTING



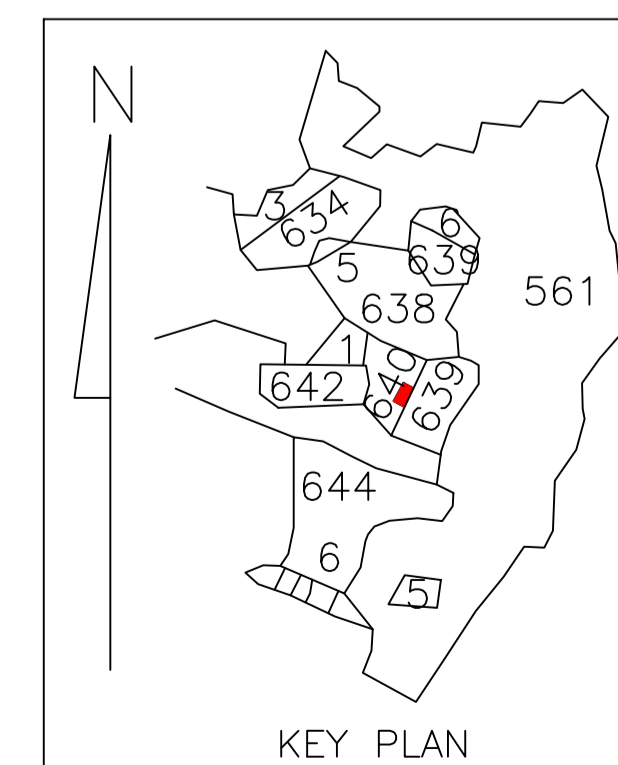
ROOF TOP RAIN WATER COLLECTION SYSTEM



PLAN OF SEPTIC TANK



LOCATION PLAN



KEY PLAN

LTP NAME AND SIGNATURE	STRUCTURAL ENG'S NAME AND SIGNATURE	BUILDER NAME AND SIGNATURE	DIGITAL SIGNATURE
AMRESH KUMAR BHARTI DMC/ENG/0022/2016			