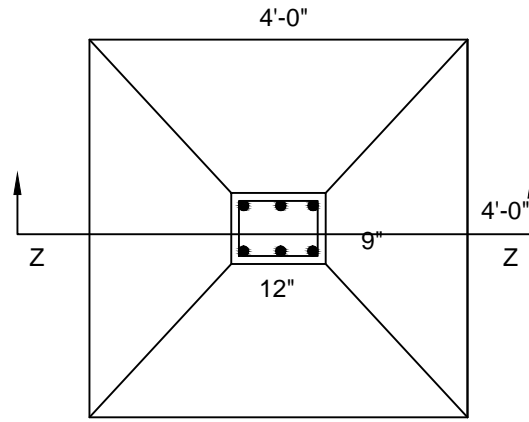
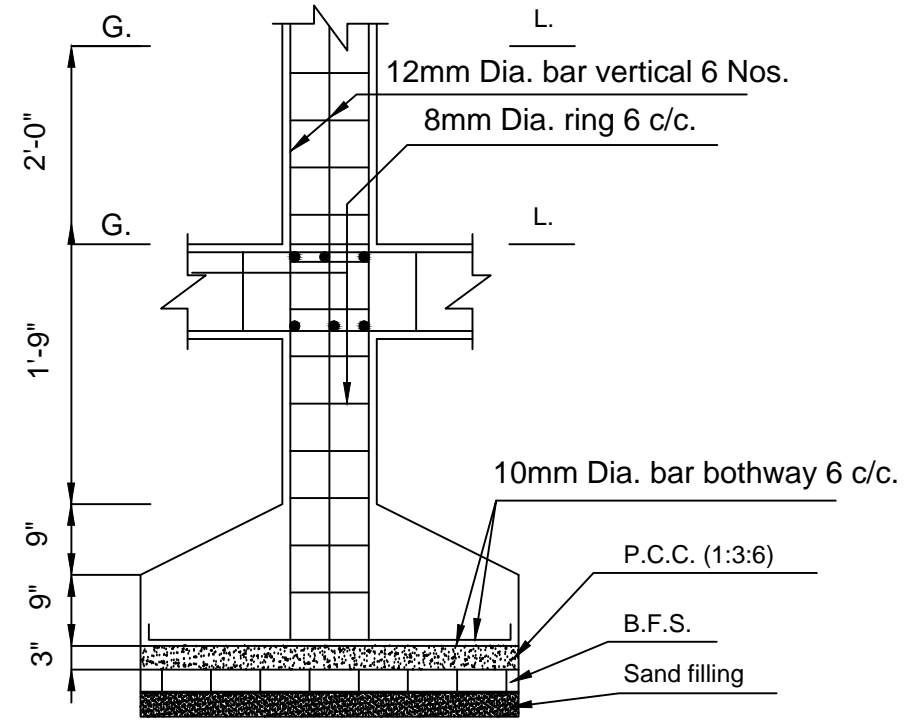


PLAN



PLAN



SECTION ON- ZZ

*DETAILS OF COLUMN FOOTING

SCALE :- 1" = 2'-0"