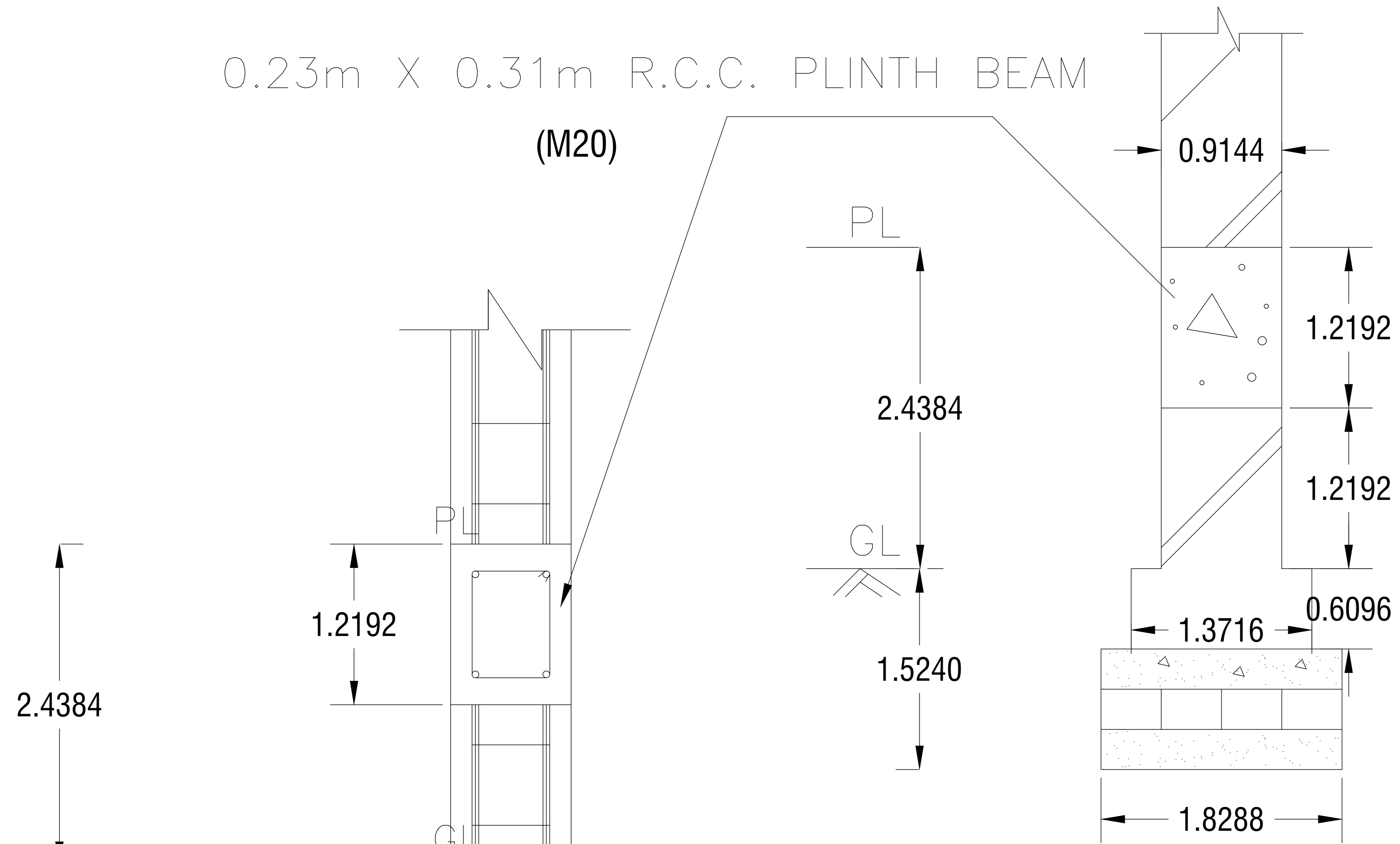


0.23m X 0.31m R.C.C. PLINTH BEAM

(M20)



FOUNDATION DETAILS OF WALL

2.4384
0.9144
0.6096
0.6096 THK. P.C.C. (1:3:6)
0.3048 THK. B.F.S.
0.6096 THK. SAND FILLING

FOUNDATION DETAILS OF COLUMN