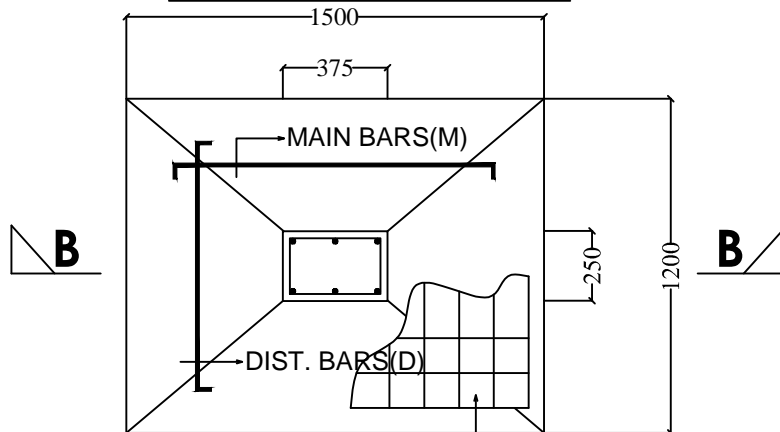


### SECTION:-(B-B)



FE< O FG T T ÔÊÔ  
BOTH DIRECTION.

## FOUNDATION PLAN OF COLUMN