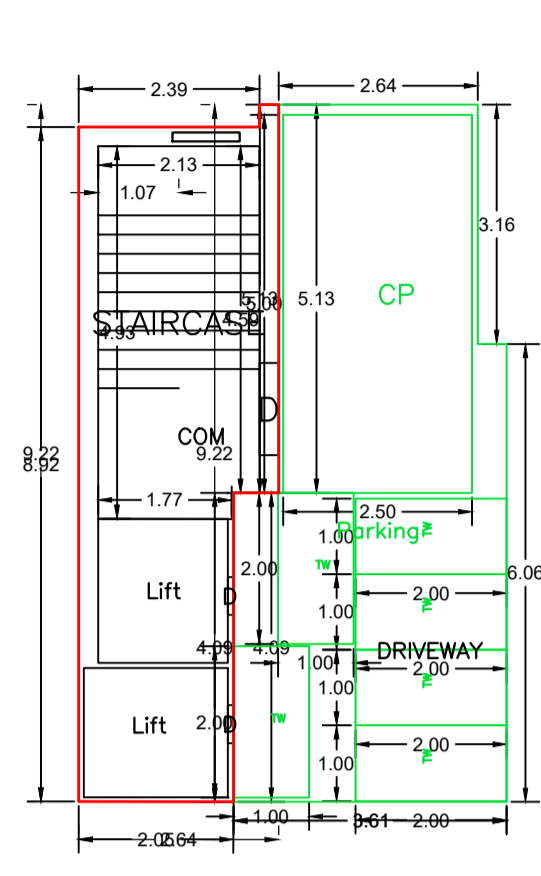
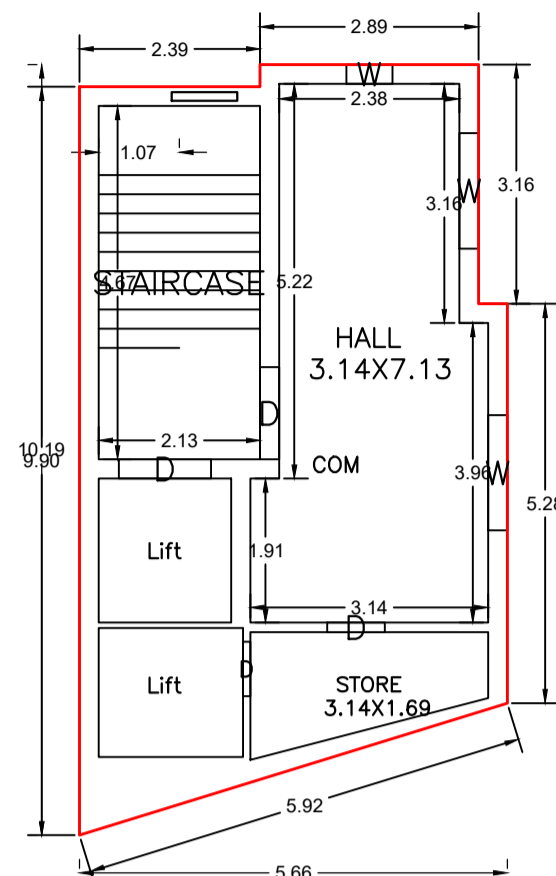


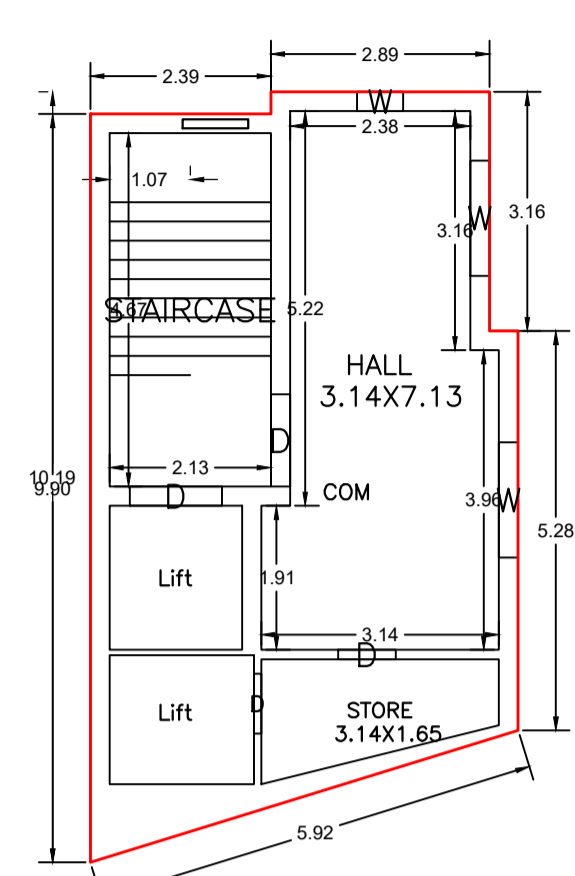
Proposal Basic Information	
Proposal File No.	DMC/BP/0418/W21/2023
Owner Name	SMT LALTI DEVI
Khata No	NEW -61, OLD -06
Plot No	NEW -130, OLD -07
Village Name	Baramuri
Use	Commercial
SubUse	Commercial Bldg



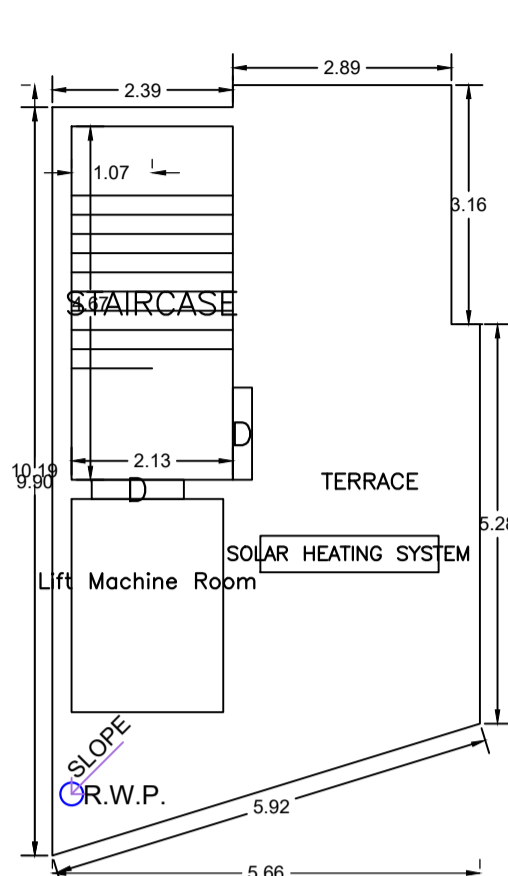
BASEMENT FLOOR PLAN (Proposed) (SCALE 1:100)



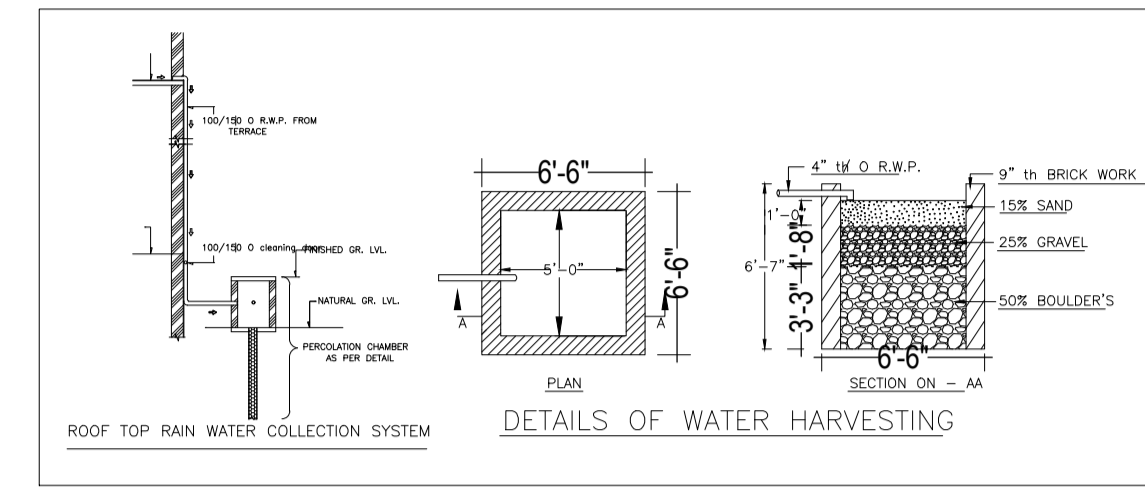
GROUND FLOOR PLAN (Proposed) (SCALE 1:100)



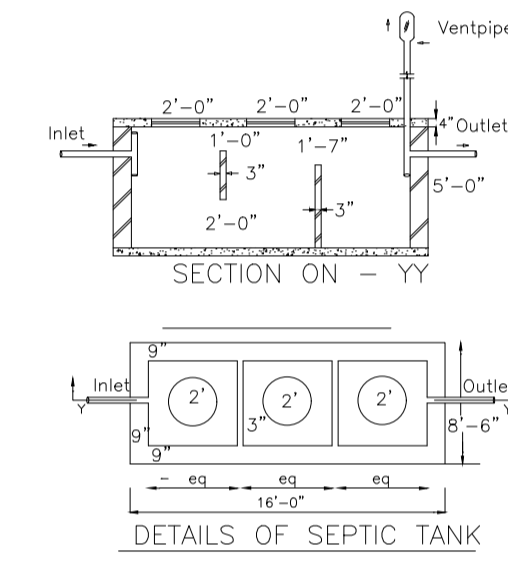
TYPICAL - 1, 2, 3, 4 FLOOR PLAN (Proposed) (SCALE 1:100)



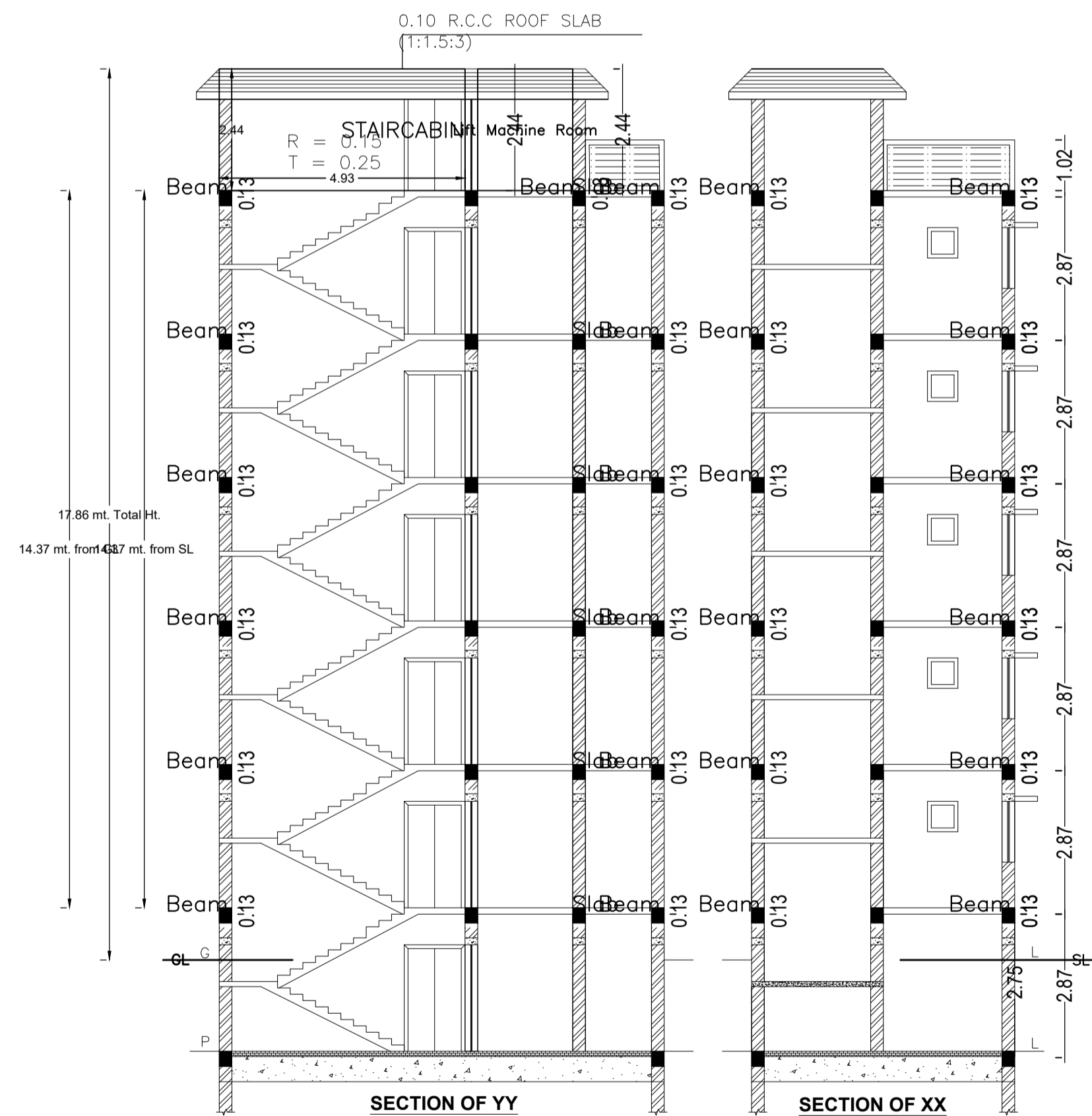
TERRACE FLOOR PLAN (SCALE 1:100)



DETAILS OF COLUMN FOOTING

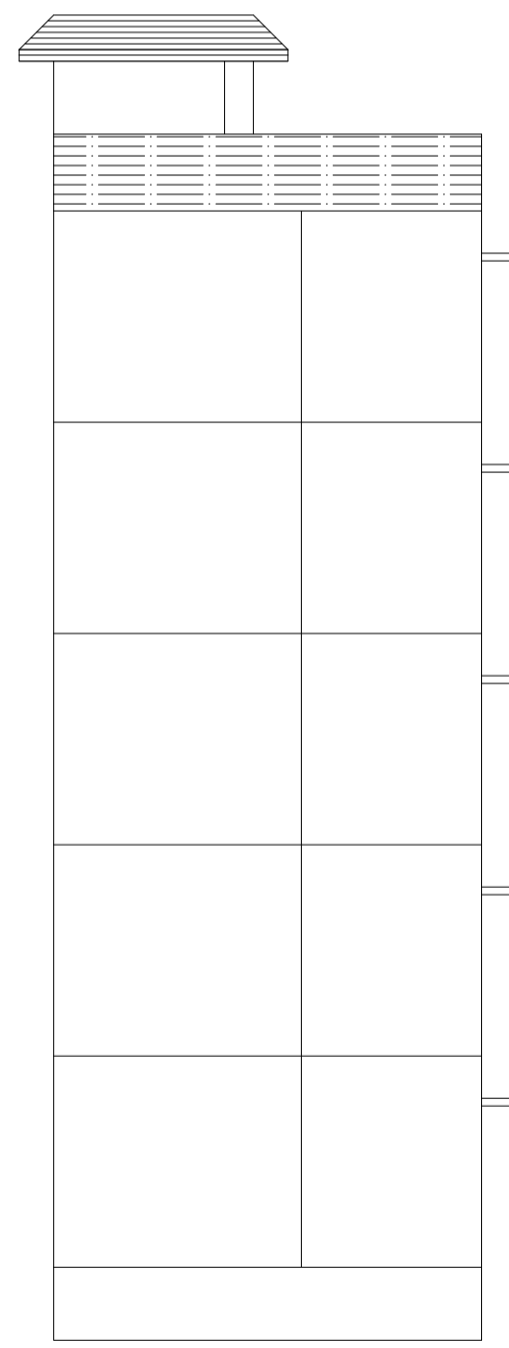


DETAILS OF SEPTIC TANK

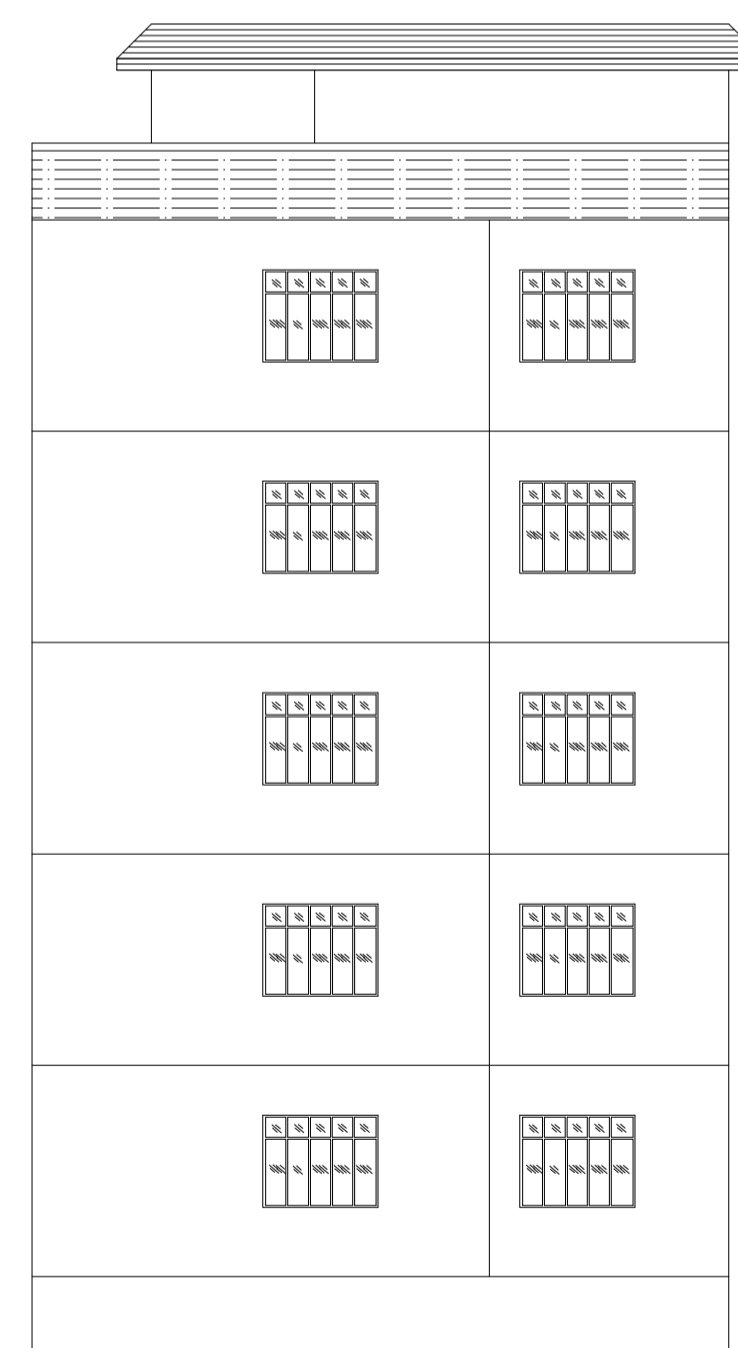


SECTION OF YY

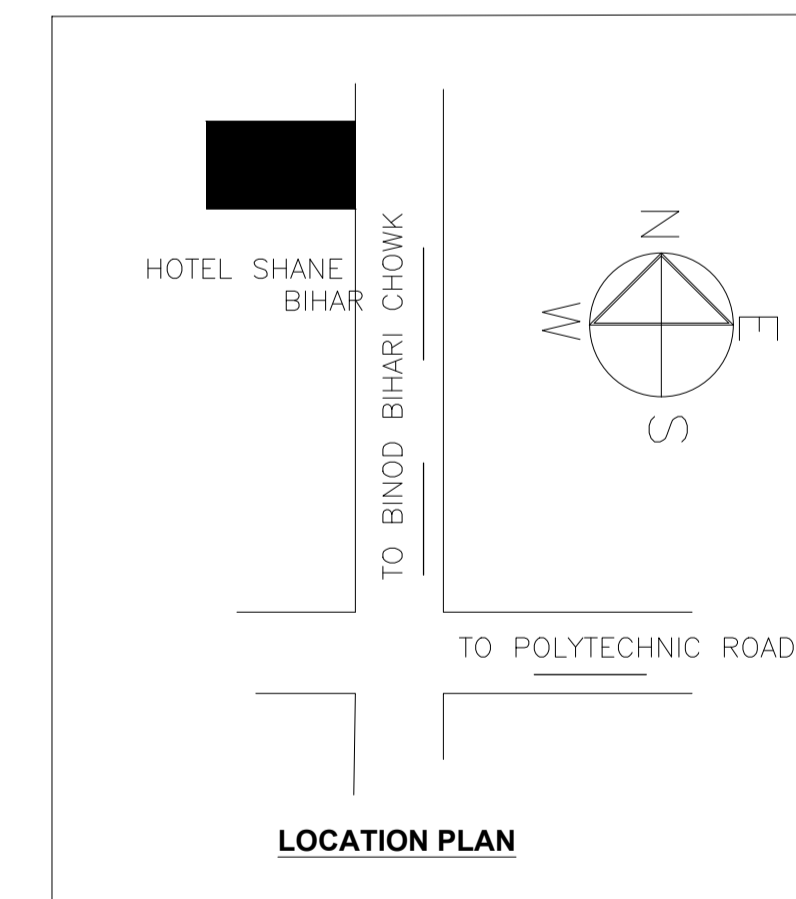
SECTION OF XX



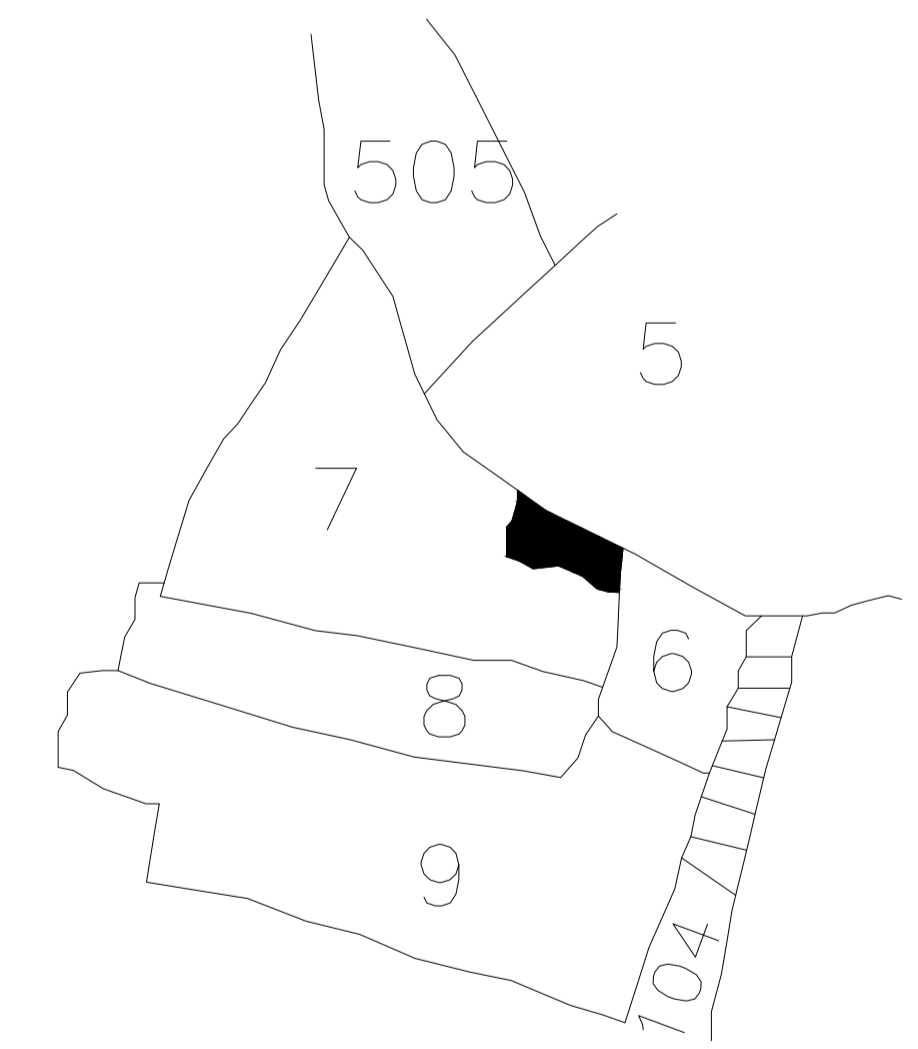
FRONT ELEVATION



RIGHT ELEVATION



LOCATION PLAN



KEY PLAN

LTP NAME AND SIGNATURE	STRUCTURAL ENG'S NAME AND SIGNATURE	BUILDER NAME AND SIGNATURE	DIGITAL SIGNATURE
AMARENDRA KUMAR DMC/ENG/0009/2016			