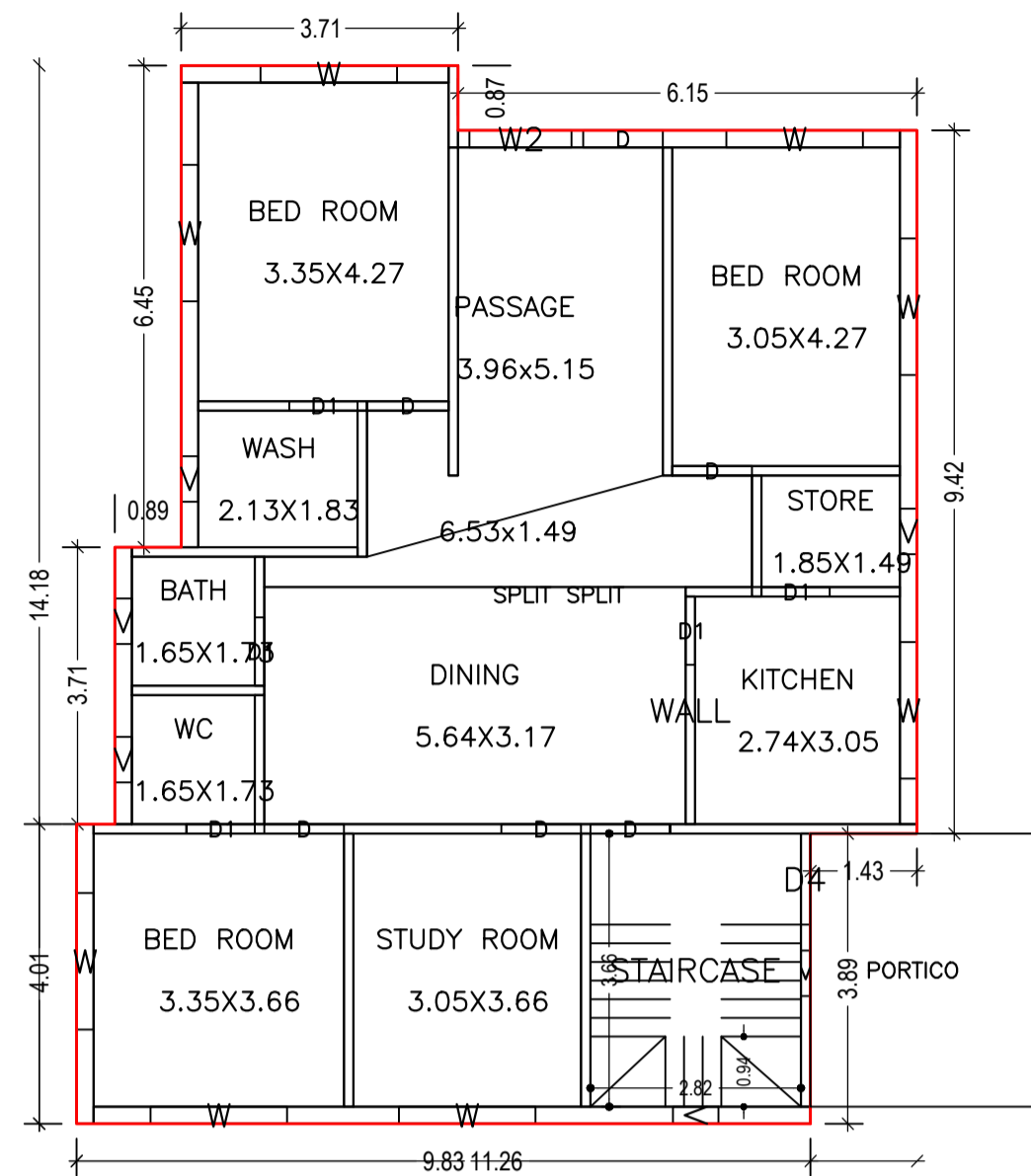
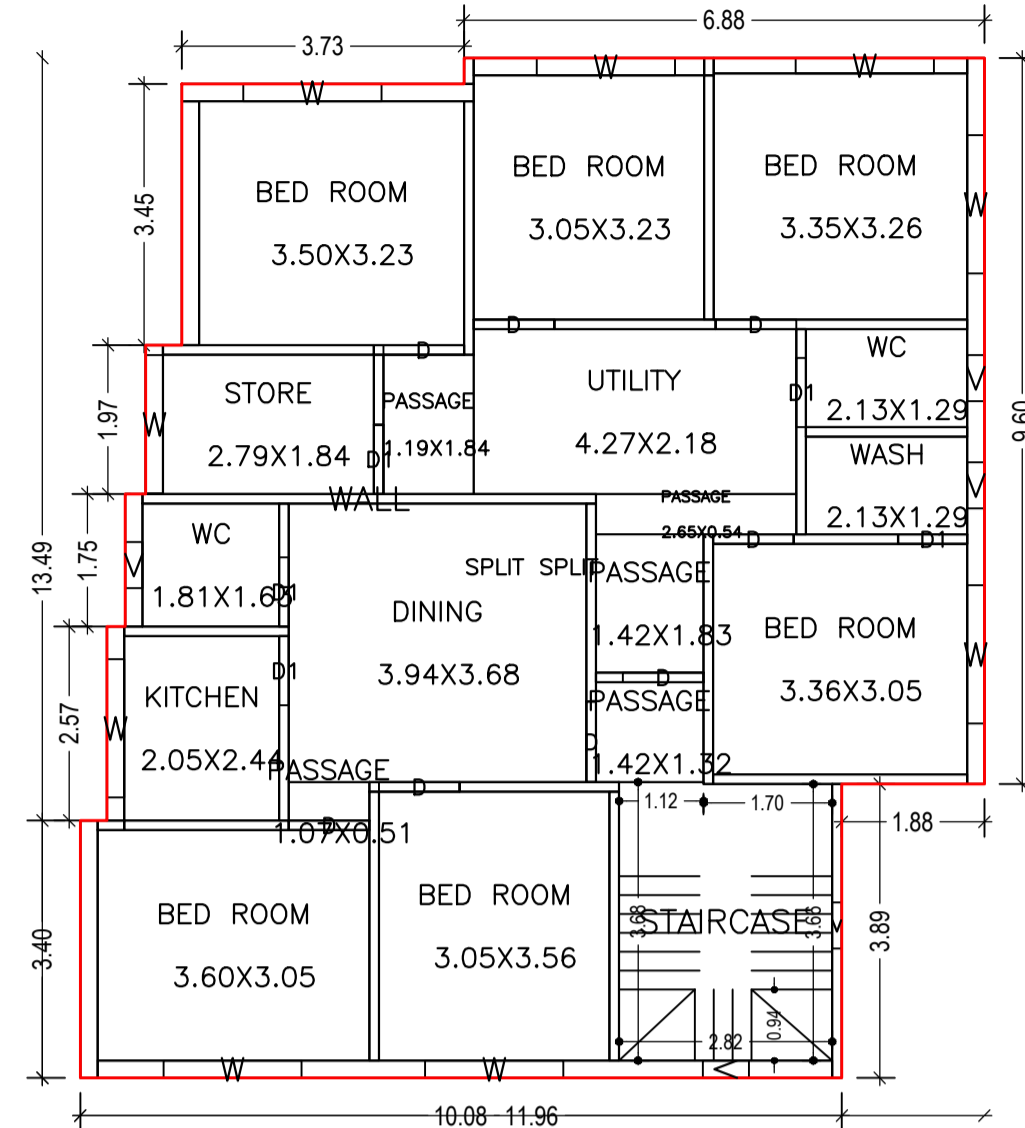


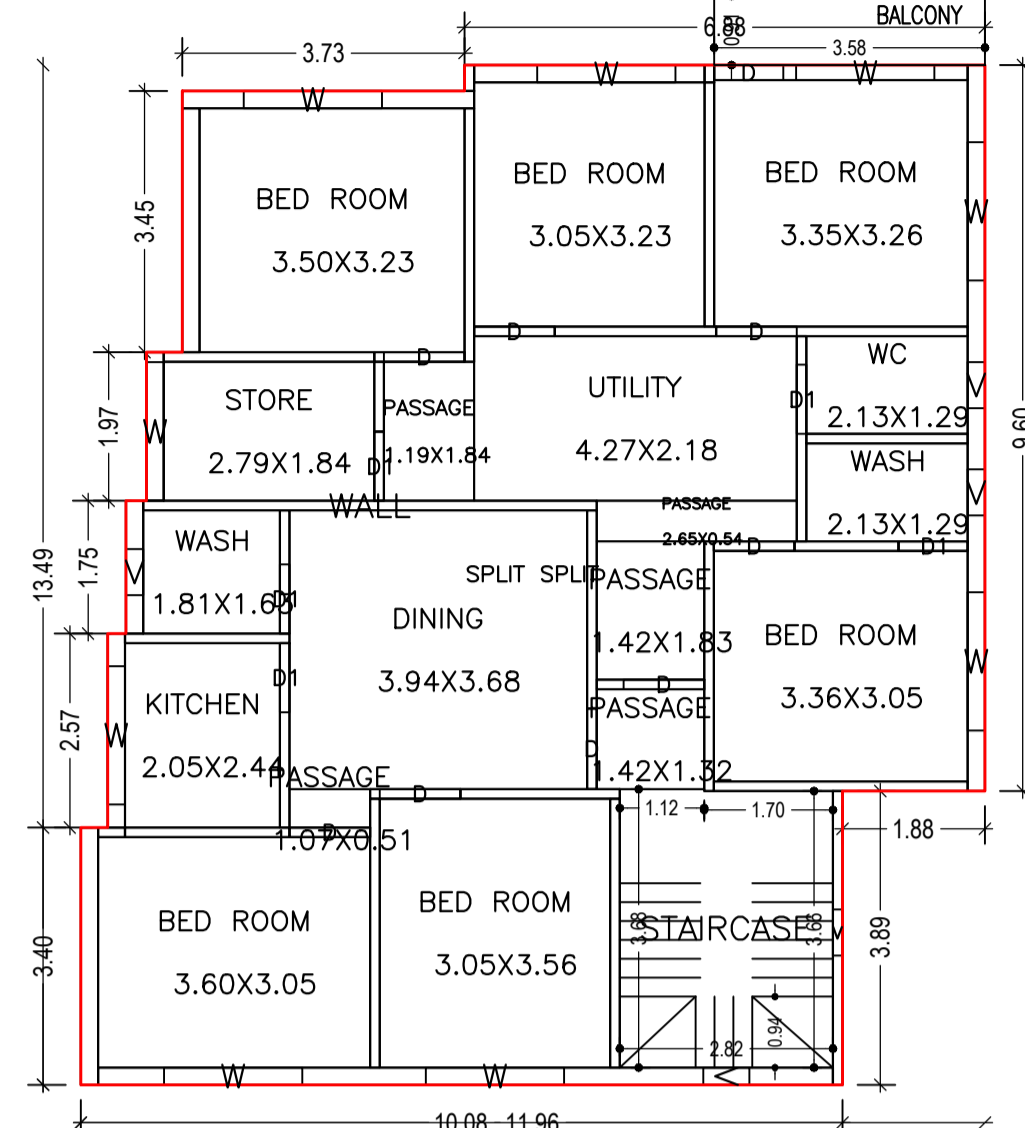
Proposal Basic Information	
Proposal File No.	DMC/BI/0290/W17/2023
Owner Name	Mrs. IFFAT ARA
Khata No	240(NEW)/52(OLD)
Plot No	2817(NEW)/3207(OLD)
Village Name	Bhuli
Use	Residential
SubUse	Bungalow/ Dwelling / Non Apartment



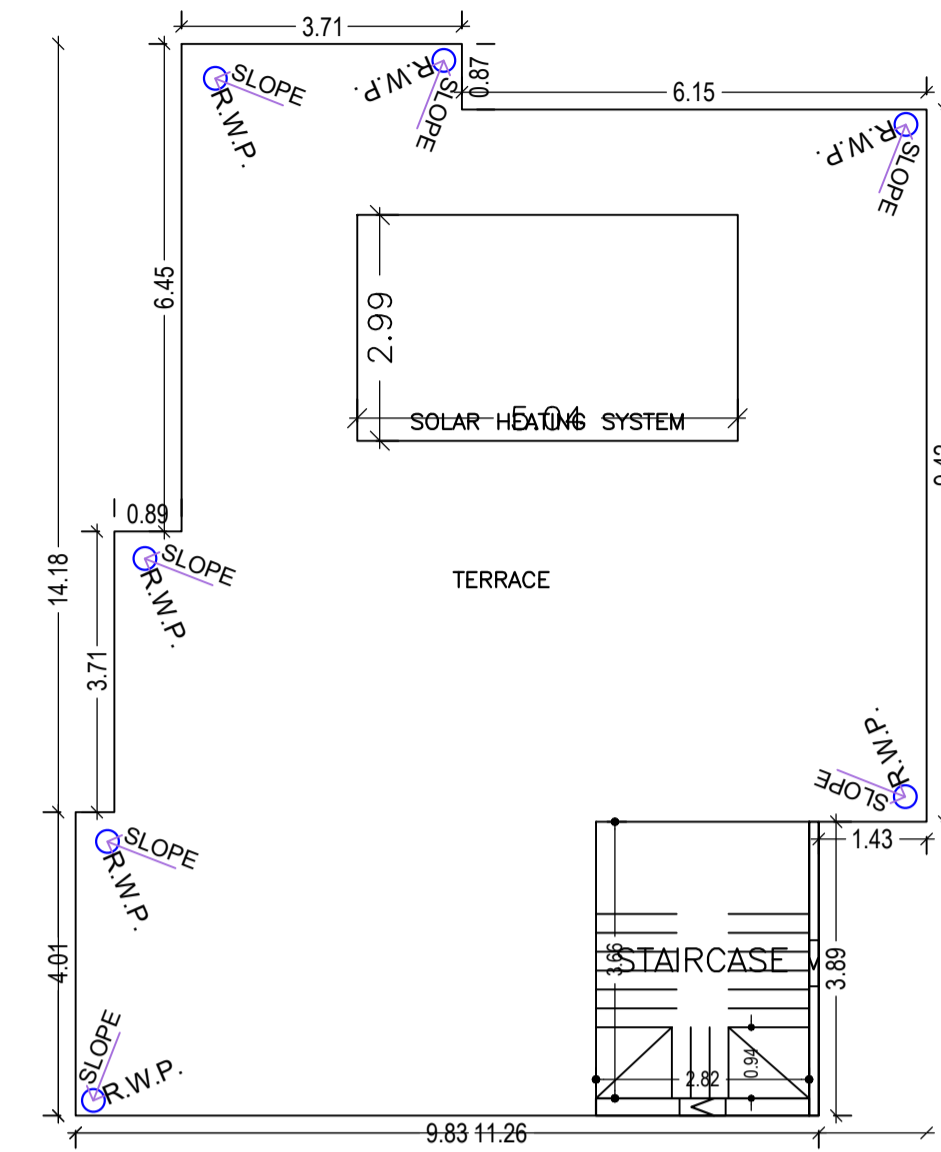
GROUND FLOOR PLAN
(Proposed)
(SCALE 1:100)



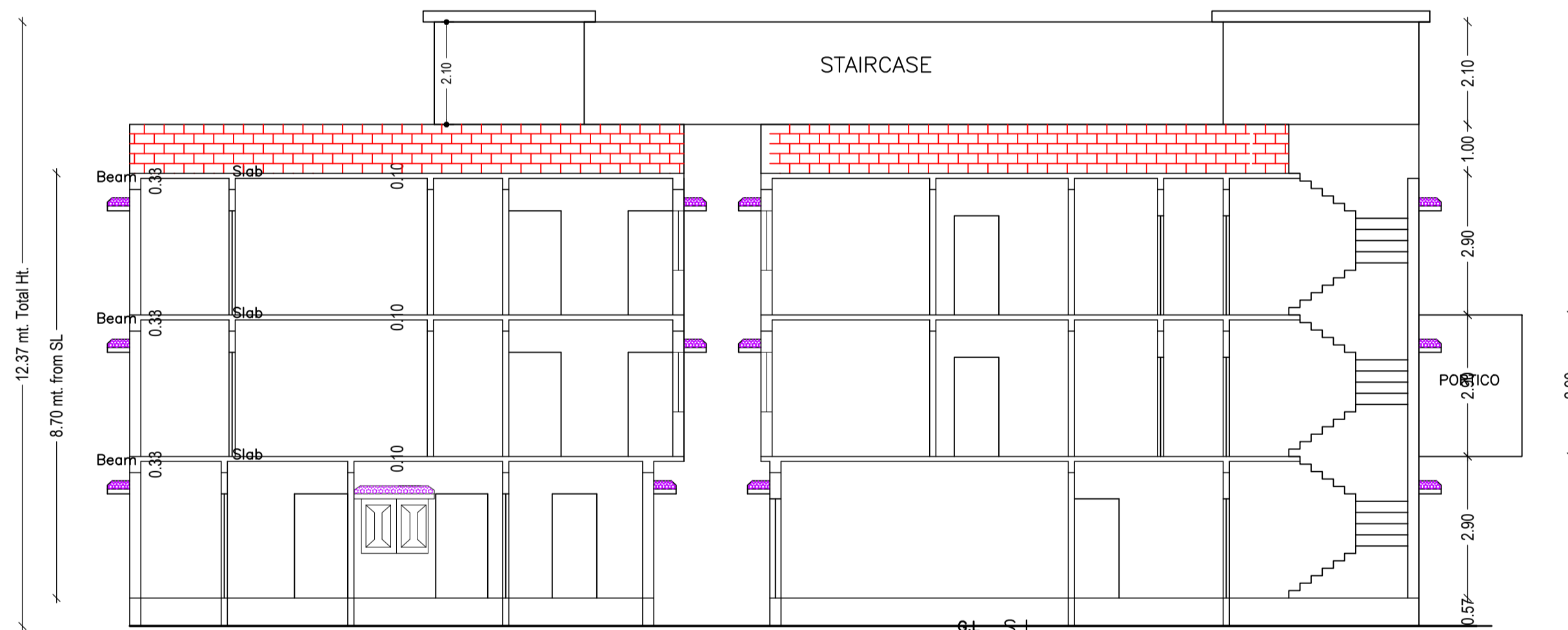
FIRST FLOOR PLAN
(Proposed)
(SCALE 1:100)



SECOND FLOOR PLAN
(Proposed)
(SCALE 1:100)

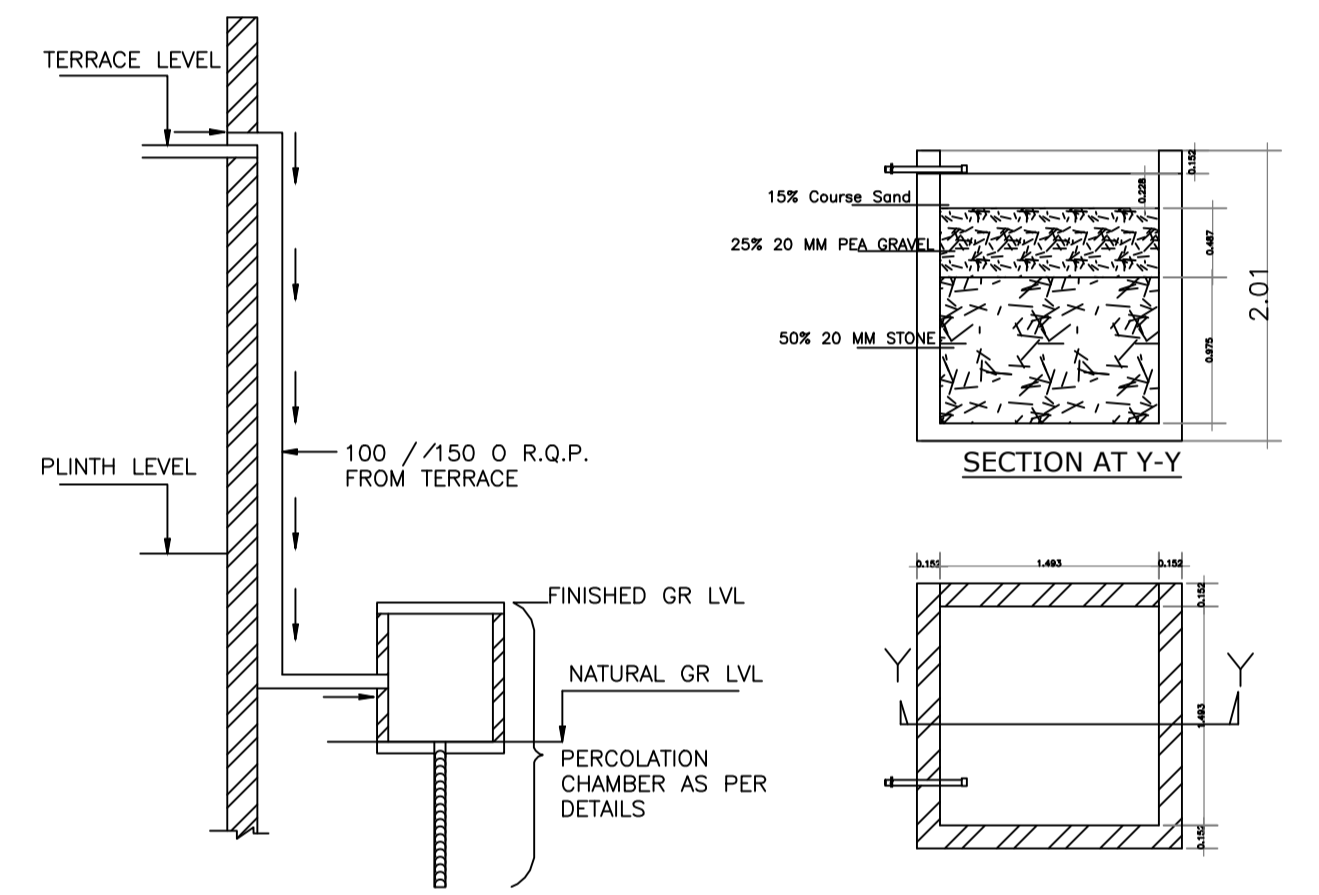


TERRACE FLOOR PLAN
(SCALE 1:100)



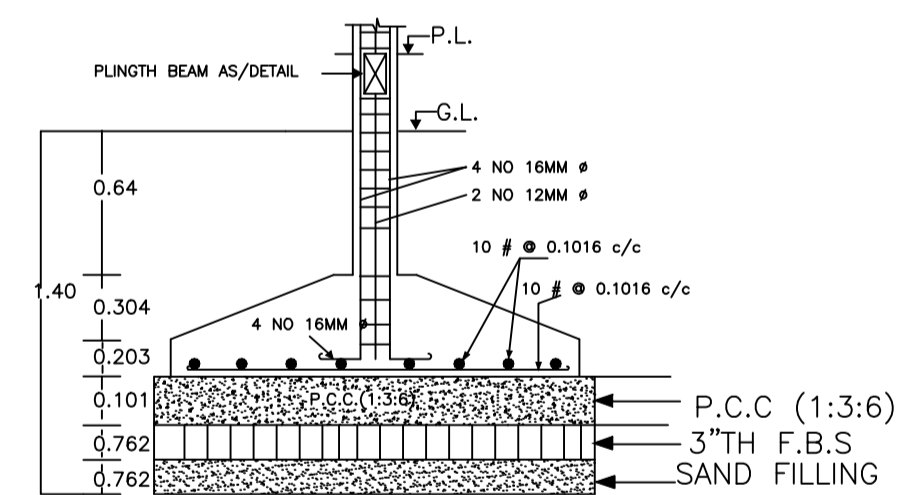
SECTION ON Y-Y

SECTION ON X-X

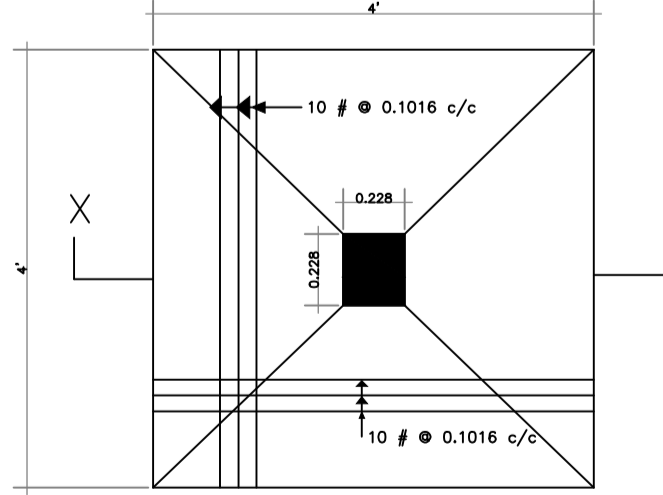


ROOF TOP RAIN WATER
COLLECTION SYSTEM

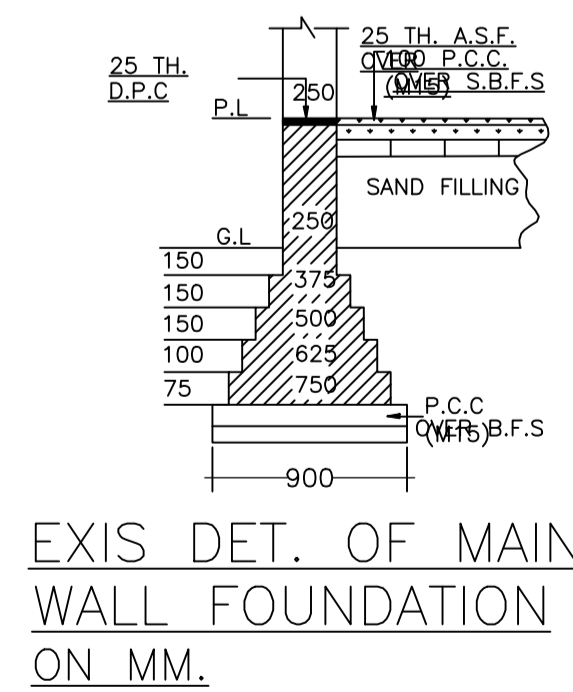
PLAN OF RECHARGE
WALLWATER HARVESTING



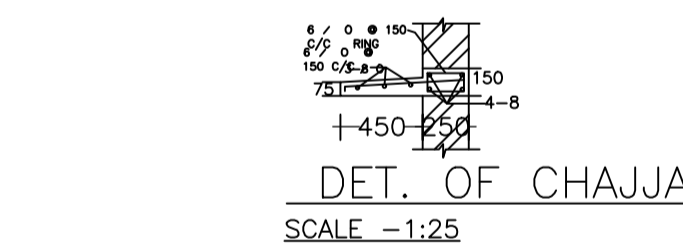
SECTION AT X-X
DETAIL OF COLUMN FOUNDATION



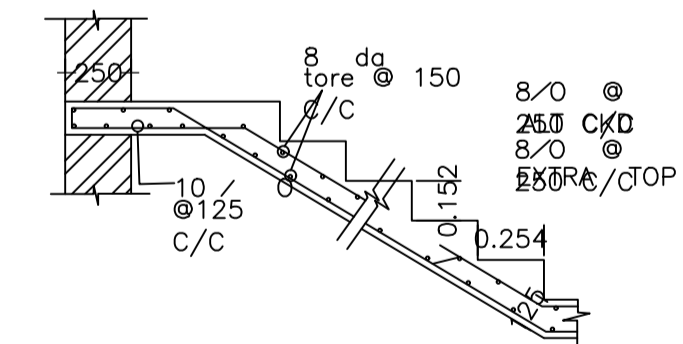
TYPICAL
FOOTING PLAN



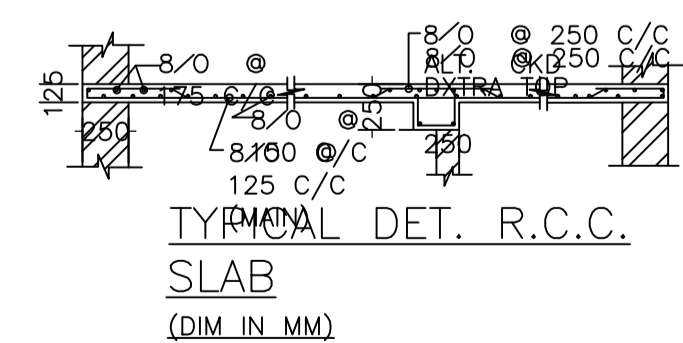
EXIS DET. OF MAIN
WALL FOUNDATION
ON MM.



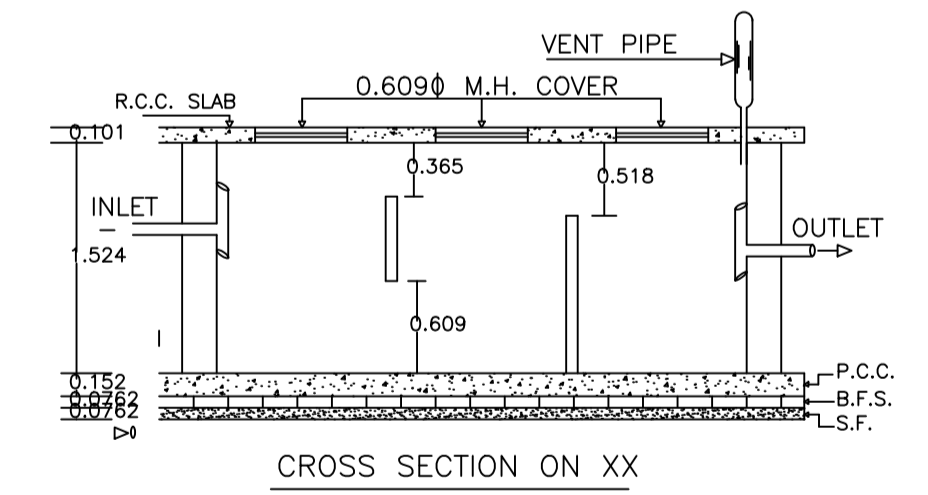
DET. OF CHAJJA
SCALE - 1:25



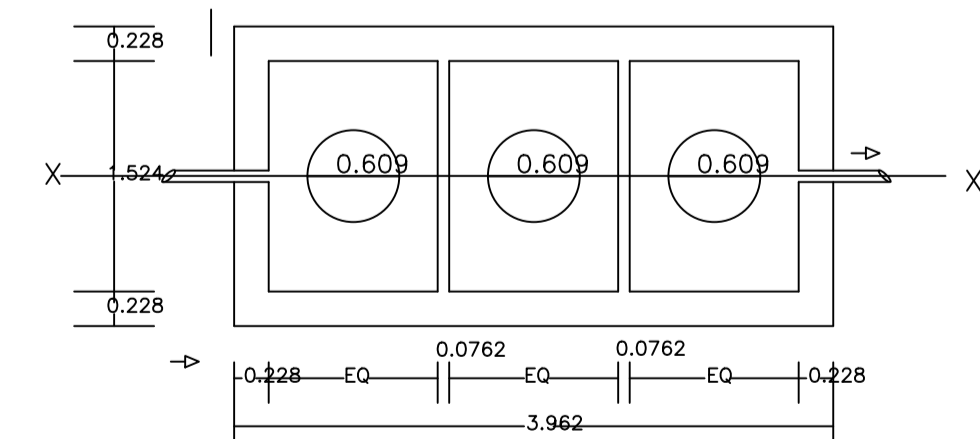
DET. OF R.C.C. STAIR



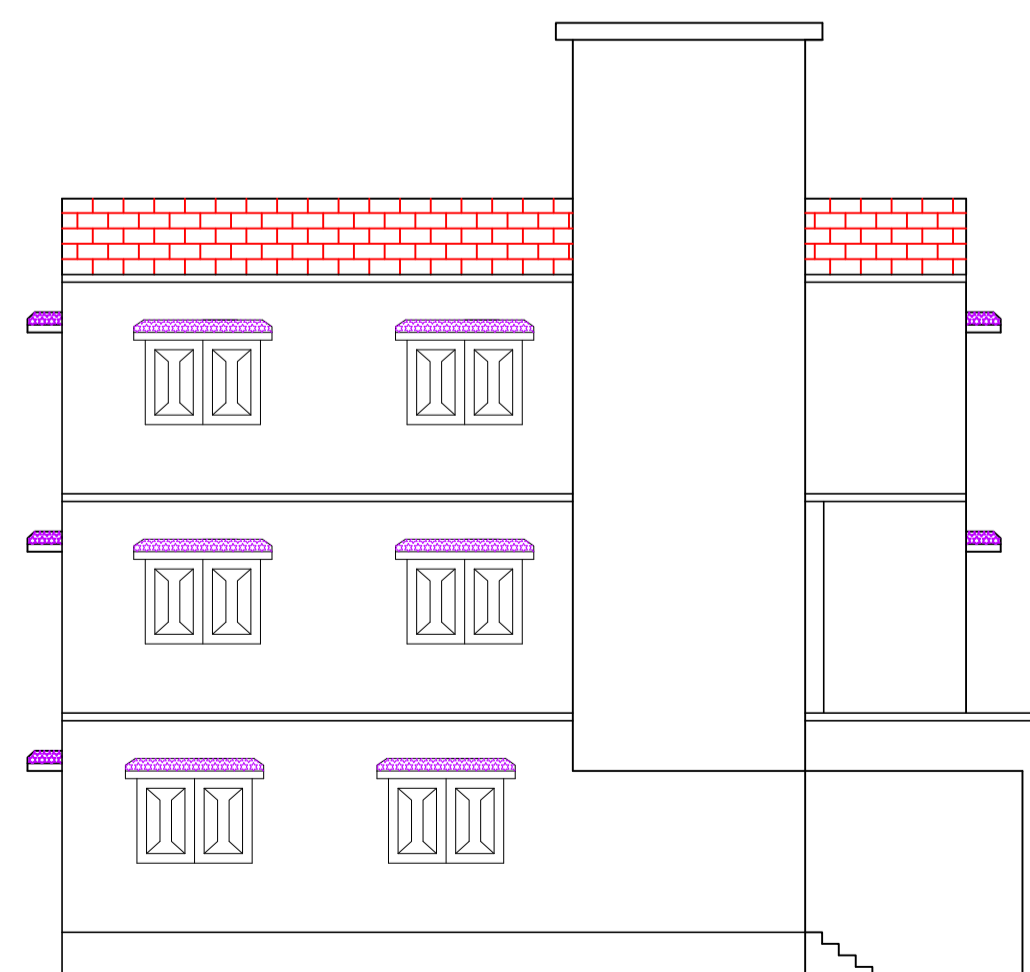
TYPICAL DET. R.C.C.
SLAB
(DIM. IN MM.)



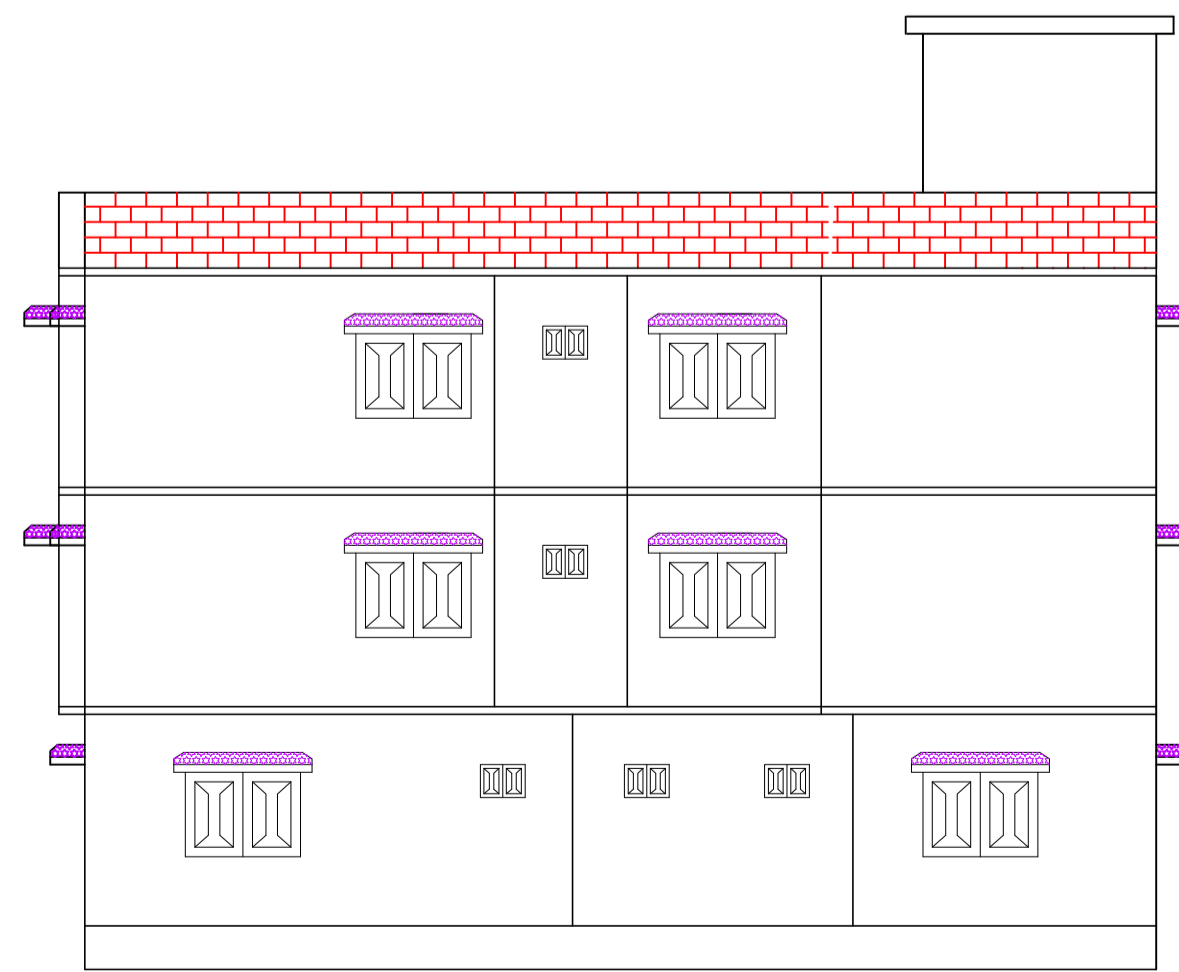
CROSS SECTION ON XX



PLAN OF SEPTICTANK



FRONT SIDE ELEVATION



LEFT SIDE ELEVATION

LTP NAME AND SIGNATURE	STRUCTURAL ENG'S NAME AND SIGNATURE	BUILDER NAME AND SIGNATURE	DIGITAL SIGNATURE
SYED NAQUE ALAM DMC/ENG/0010/2017			