

UnitBUA Table for Building :AB (EG)

FLOOR	Name	UnitBUA Type	UnitBUA Area	Carpet Area	No. of Rooms	No. of Tenement
GROUND FLOOR PLAN	SPLIT ABC	FLAT	257.64	257.40	8	1
FIRST FLOOR PLAN	SPLIT ABC	FLAT	0.00	0.00	9	0
Total:	-	-	257.64	257.40	17	1

SCHEDULE OF DOOR:

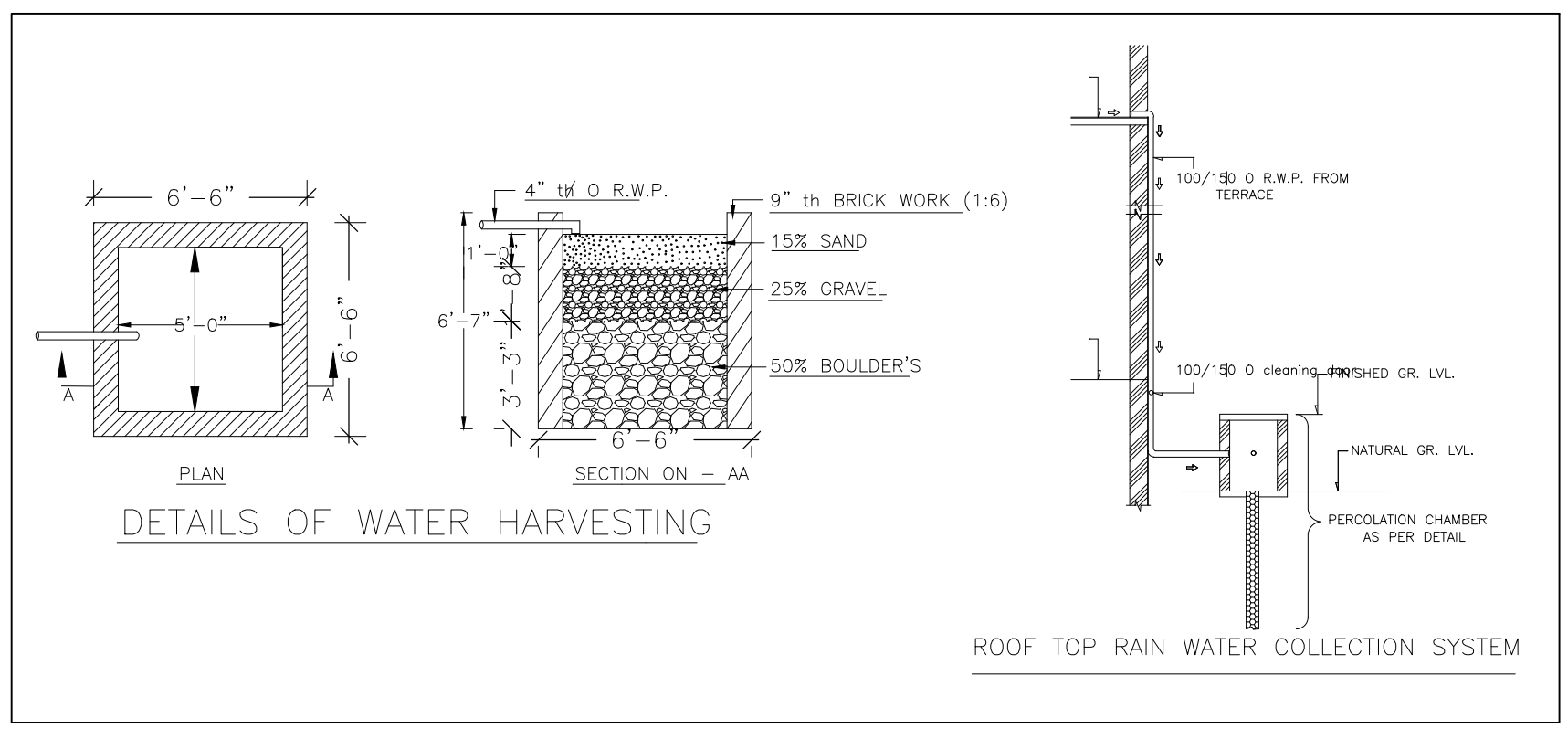
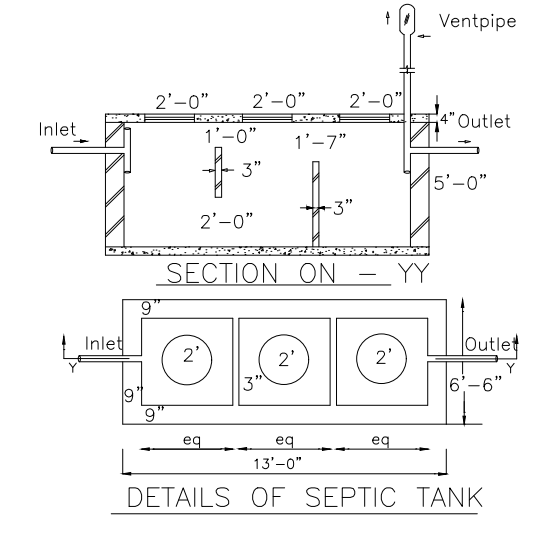
BUILDING NAME	NAME	LENGTH	HEIGHT	NOS
AB (EG)	D	0.76	2.10	04
AB (EG)	D	0.91	2.10	05
AB (EG)	D	0.97	2.10	02
AB (EG)	D	1.04	2.10	02
AB (EG)	D	1.06	2.10	02
AB (EG)	D	1.07	2.10	02
AB (EG)	D	1.50	2.10	01

SCHEDULE OF WINDOW/VENTILATION:

BUILDING NAME	NAME	LENGTH	HEIGHT	NOS
AB (EG)	W	0.62	1.20	04
AB (EG)	W	0.93	1.20	04
AB (EG)	W	1.23	1.20	08
AB (EG)	W	1.54	1.20	04

Building :AB (EG)

Floor Name	Total Built Up Area (Sq.mt.)	Proposed FAR Area (Sq.mt.)	Total FAR Area (Sq.mt.)	Total Consumed Additional FAR Area (Sq.mt.)	Trmt (No.)
Ground Floor	128.82	128.82	128.82	128.82	01
First Floor	128.82	128.82	128.82	128.82	00
Terrace Floor	0.00	0.00	0.00	0.00	00
Total:	257.64	257.64	257.64	257.64	01
Total Number of Same Buildings	1				
Total:	257.64	257.64	257.64	257.64	01



Proposal Basic Information

Proposal File No.	DMC/BP/0287/W23/2023
Owner Name	SRI DILIP KUMAR SRIVASTAVA
Khata No	NEW - 1079, OLD - 5
Plot No	NEW - 941, OLD - 341
Village Name	Saraidhela
Use	Residential
SubUse	Bungalow/ Dwelling / Non Apartment

AREA STATEMENT		VERSION NO.: 1.0.68
DHANBAD MUNICIPAL CORPORATION		VERSION DATE: 16/10/2020
PROJECT DETAIL:		
Region: JHARKHAND URBAN LOCAL BODIES	Plot Use: Residential	
District: DHANBAD	Plot SubUse: Bungalow/ Dwelling / Non Apartment	
Authority: DHANBAD MUNICIPAL CORPORATION	PlotNearbyReligiousStructure: NA	
Inward No: DMC/BP/0287/W23/2023	Plot/SubPlot No: NEW - 941, OLD - 341	
Application Type: General Proposal	North: Survey No. - SHAILA DEVI	
Project Type: Building Permission	South: Road Width - 5.48M WIDE ROAD	
Nature of Development: New	East: Road Width - 3.6M WIDE ROAD	
Location of Development Area: Old Area	West: Plot No. - PLOT NO - 940	
AREA DETAILS:		
AREA OF PLOT (Minimum)	(A)	SQ.MT. 252.42
NET AREA OF PLOT (Gross Plot Area - Deduction from Gross Plot area)	(A-Deductions)	252.42
Deduction for Balance Plot Area (from Gross Plot Area)		
Common Plot		16.59
Total		16.59
BALANCE AREA OF PLOT (Net Plot Area - Recreational/Amenity space)	(A-Deductions)	235.83
PLOT AREA FOR COVERAGE (Net Plot Area)	(A-Deductions)	252.42
Plot Area for FAR (Net Plot Area + Road Widening Area)	(A-Deductions)	252.42
COVERAGE CHECK		
Permissible Coverage area ( 60.00 % )		151.45
Proposed Coverage Area ( 51.03 % )		128.82
Total Prop. Coverage Area ( 51.03 % )		128.82
Balance coverage area ( 8.97 % )		22.63
FAR CHECK		
Perm. FAR Area ( 1.800 )		454.36
Total Perm. FAR area		454.36
Residential FAR		257.64
Proposed FAR Area		257.64
Total Proposed FAR Area		257.64
Consumed FAR (Factor)		1.02
Balance FAR Area		196.72
BUILT UP AREA CHECK		
Total Proposed BuiltUp Area		257.64
ARCHITECT (Regd)	ABHISHEK KUMAR	
ENGINEER (Regd)		
SUPERVISOR (Regd)		
OWNER (Regd)	SRI DILIP KUMAR SRIVASTAVA	
DEVELOPMENT AUTHORITY		LOCAL BODY

COLOR INDEX	
PLOT BOUNDARY	Black
ABUTTING ROAD	Green
PROPOSED CONSTRUCTION	Red
COMMON PLOT	Yellow
ROAD WIDENING AREA	Blue
EXISTING (To be retained)	Orange
EXISTING (To be demolished)	Light Blue

Buildingwise Floor FAR Details

Floor Name	Building Name AB (EG)		Total	
	Proposed Built Up Area (Sq.mt.)	Proposed FAR Area (Sq.mt.)	Total Proposed Built Up Area (Sq.mt.)	Total FAR Area (Sq.mt.)
Ground Floor	128.82	128.82	128.82	128.82
First Floor	128.82	128.82	128.82	128.82
Terrace Floor	0.00	0.00	0.00	0.00
Total:	257.64	257.64	257.64	257.64

Building USE/SUBUSE Details

Building Name	Building Use	Building SubUse	Building Structure
AB (EG)	Residential	Bungalow/ Dwelling / Non Apartment	Non-Highrise

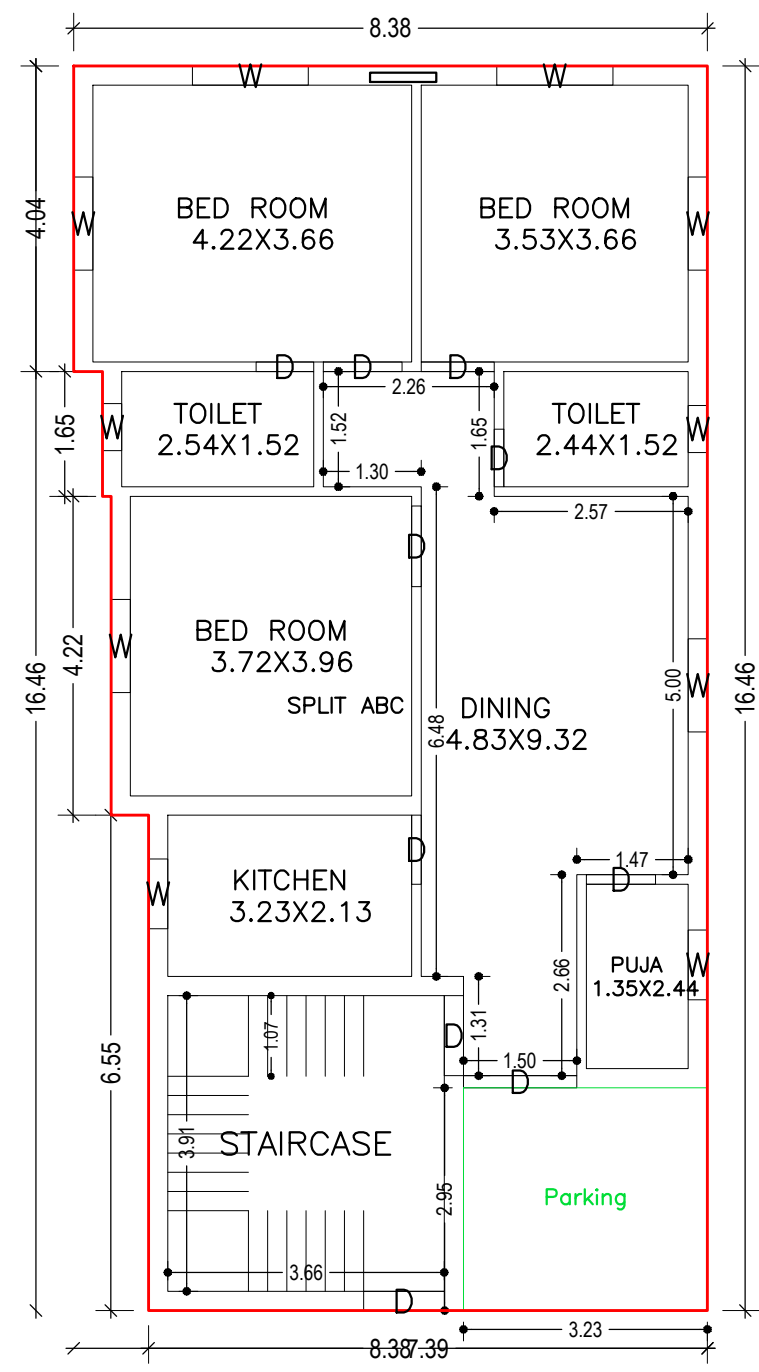
FAR & Tenement Details (Table 4c-1)

Building	No. of Same Bldg	Total Built Up Area (Sq.mt.)	Proposed FAR Area (Sq.mt.)	Total FAR Area (Sq.mt.)	Total Consumed Additional FAR Area (Sq.mt.)	Trmt (No.)
AB (EG)	1	257.64	257.64	257.64	257.64	01
Grand Total:	1	257.64	257.64	257.64	257.64	01

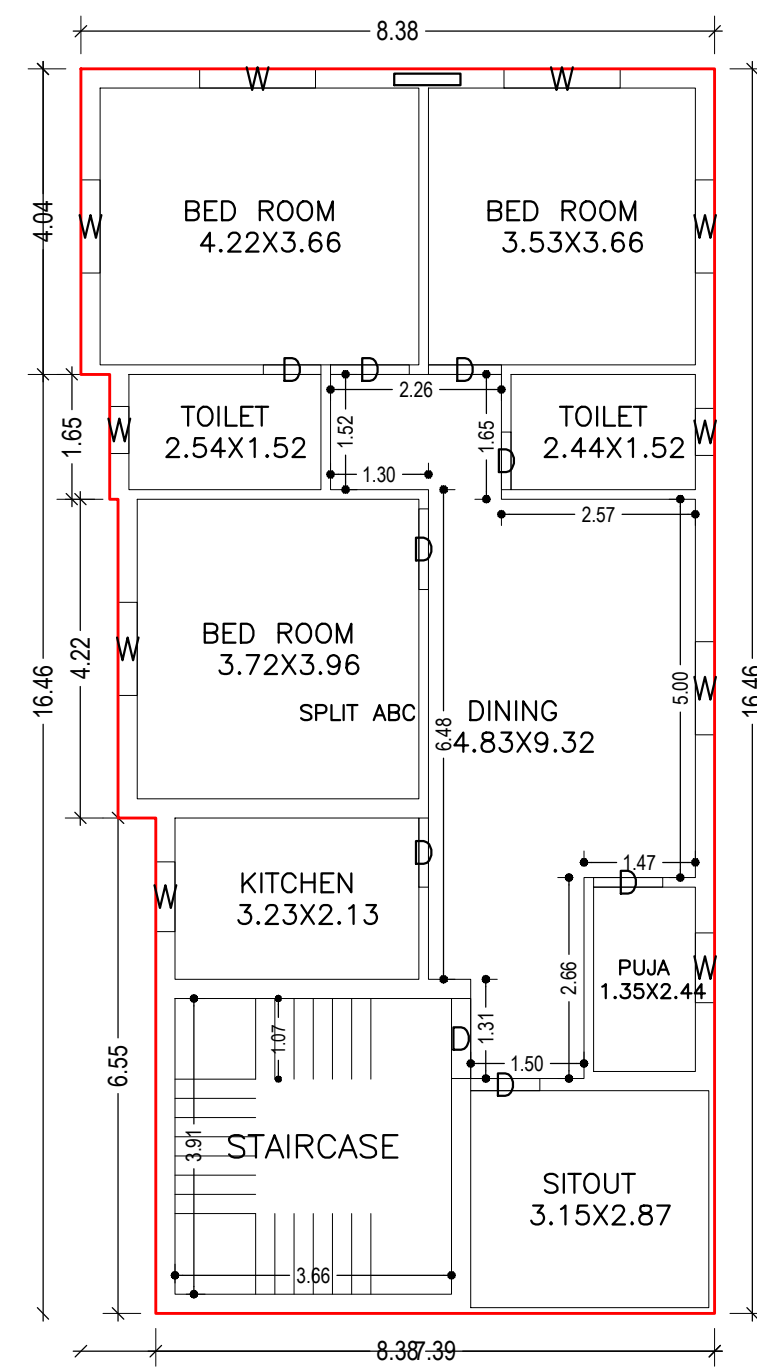
LTP NAME AND SIGNATURE	STRUCTURAL ENG'S NAME AND SIGNATURE	BUILDER NAME AND SIGNATURE	DIGITAL SIGNATURE
ABHISHEK KUMAR DMC/DFTMN/0013/2020			

Proposal Basic Information

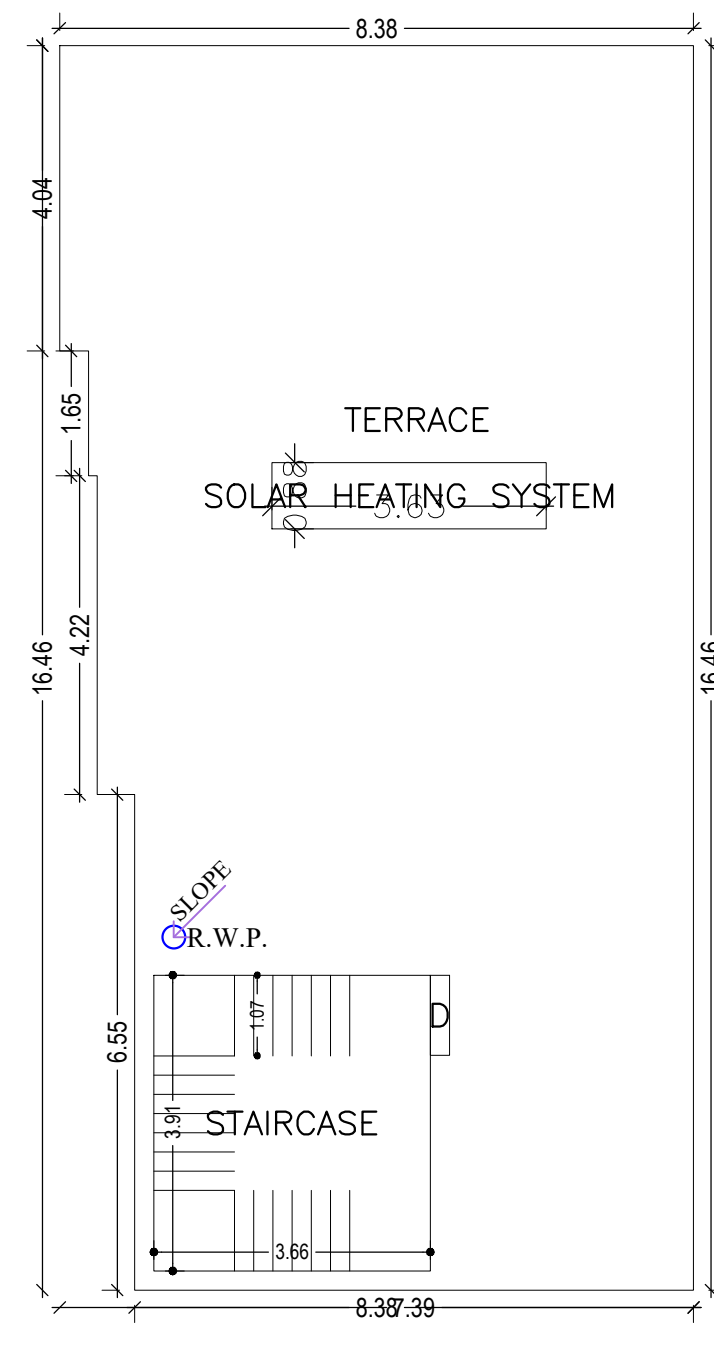
Proposal File No.	DMC/BP/0287/W23/2023
Owner Name	SRI DILIP KUMAR SRIVASTAVA
Khata No	NEW - 1079, OLD - 5
Plot No	NEW - 941, OLD - 341
Village Name	Saraidhela
Use	Residential
SubUse	Bungalow/ Dwelling / Non Apartment



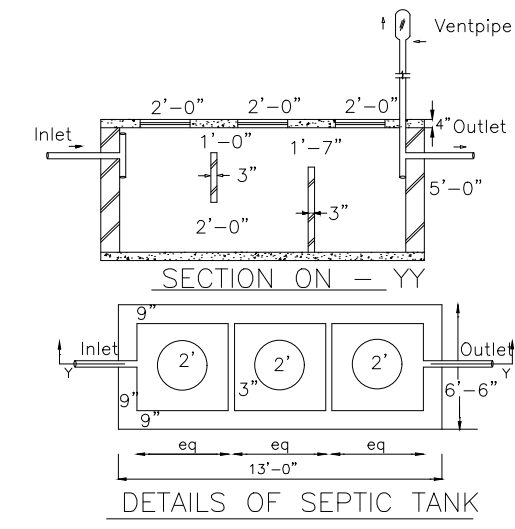
GROUND FLOOR PLAN  
(Proposed)  
(SCALE 1:100)



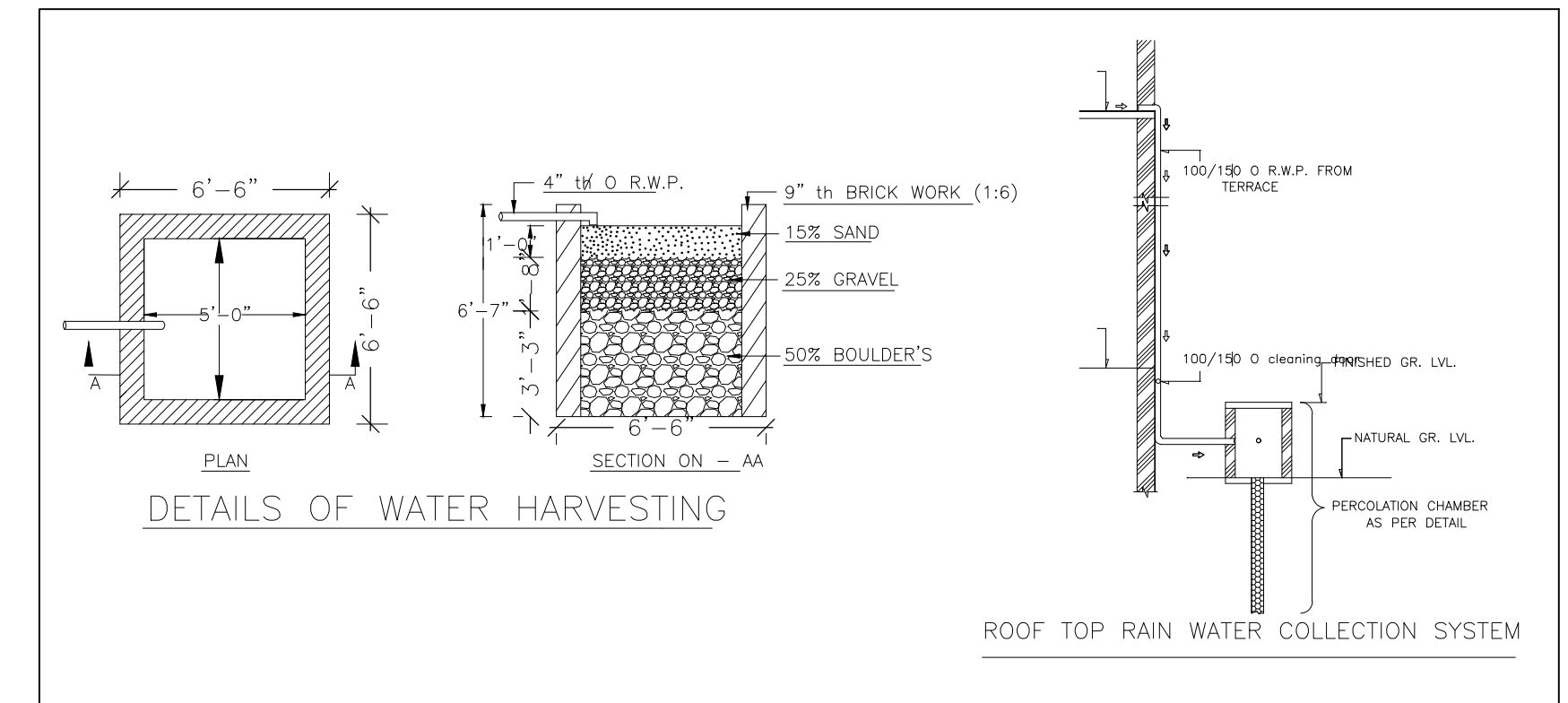
FIRST FLOOR PLAN  
(Proposed)  
(SCALE 1:100)



TERRACE FLOOR PLAN  
(SCALE 1:100)

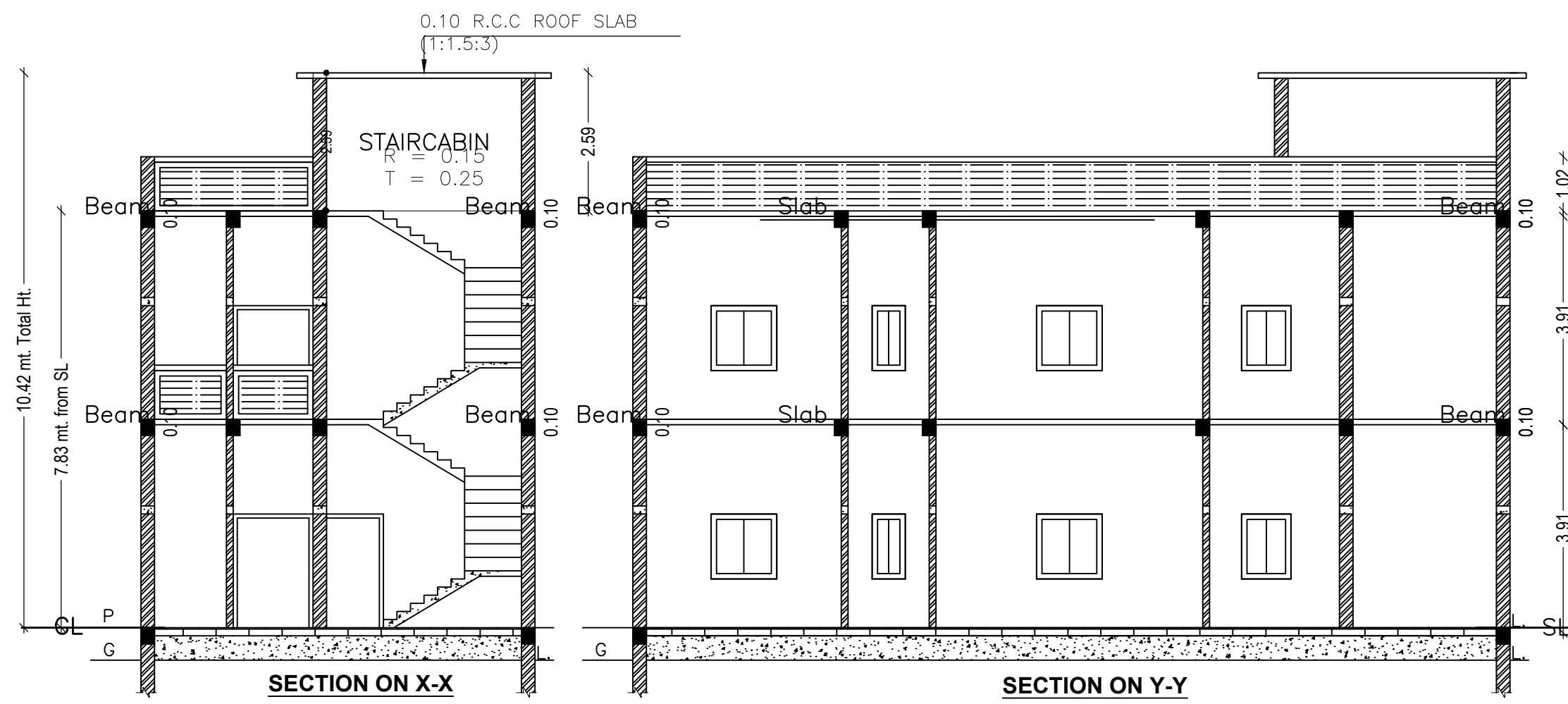


DETAILS OF SEPTIC TANK



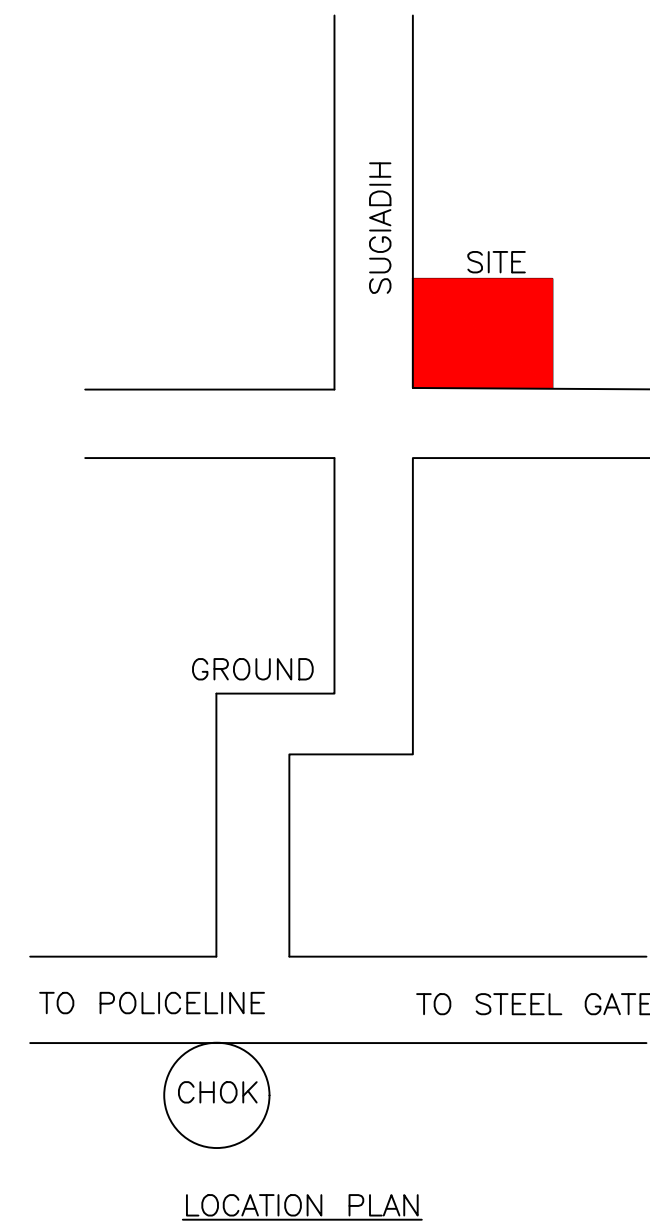
DETAILS OF WATER HARVESTING

ROOF TOP RAIN WATER COLLECTION SYSTEM

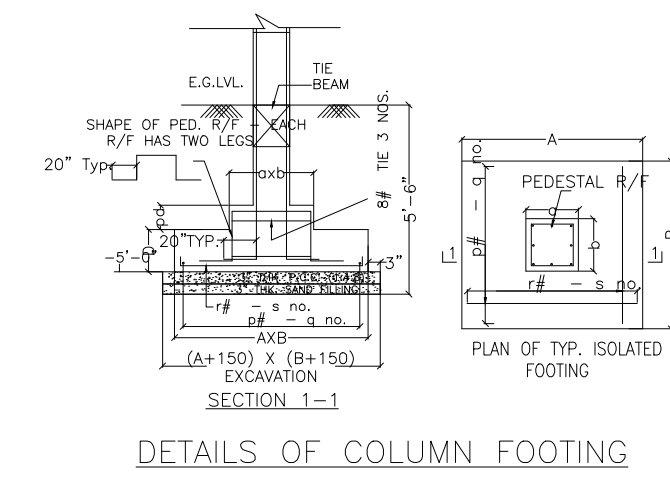


SECTION ON X-X

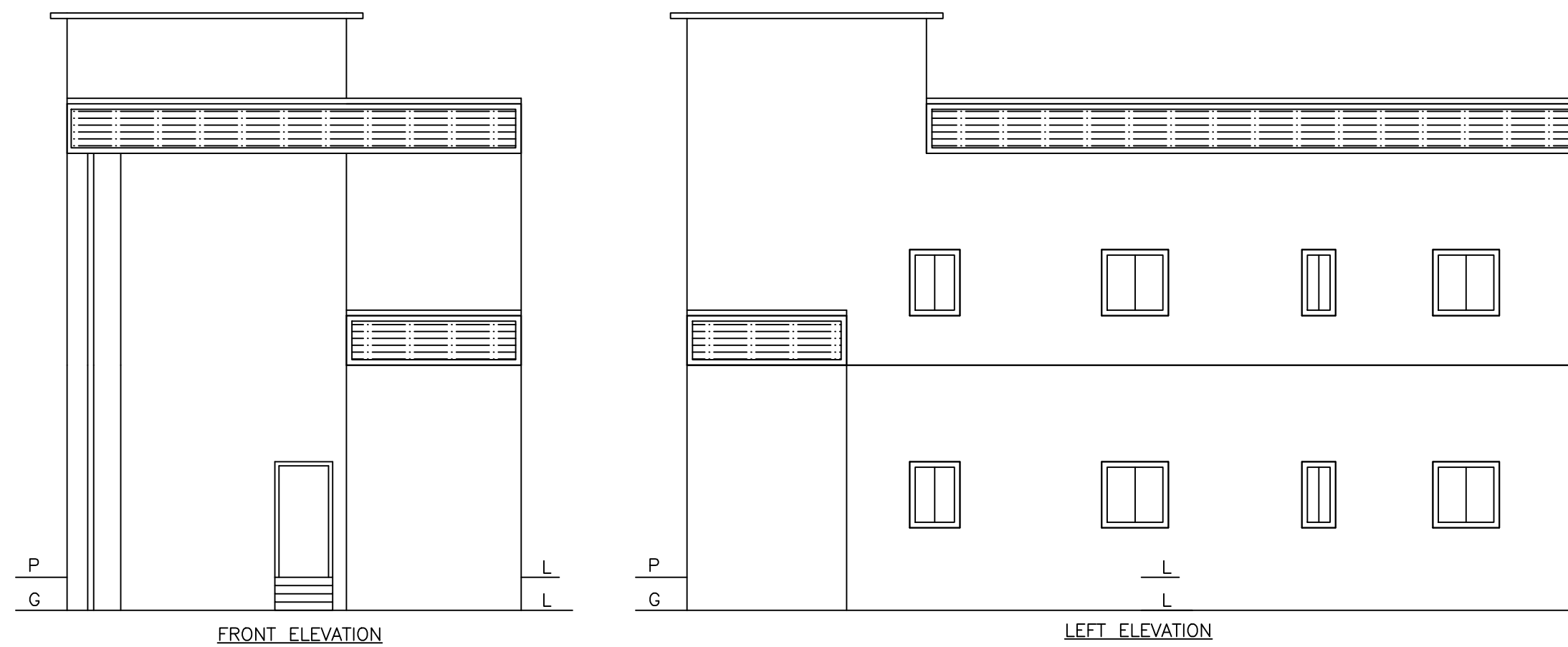
SECTION ON Y-Y



LOCATION PLAN



DETAILS OF COLUMN FOOTING



FRONT ELEVATION

LEFT ELEVATION

LTP NAME AND SIGNATURE	STRUCTURAL ENG'S NAME AND SIGNATURE	BUILDER NAME AND SIGNATURE	DIGITAL SIGNATURE
ABHISHEK KUMAR DMC/DFTMN/0013/2020			