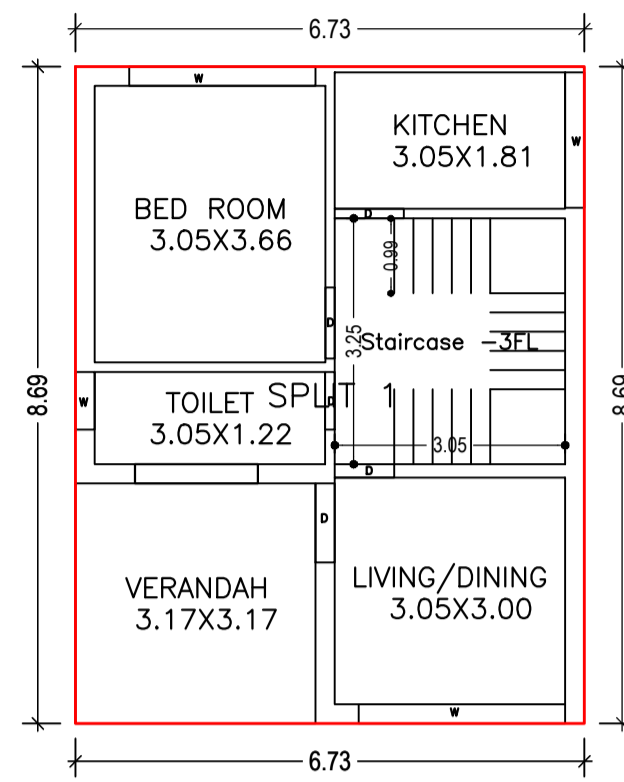
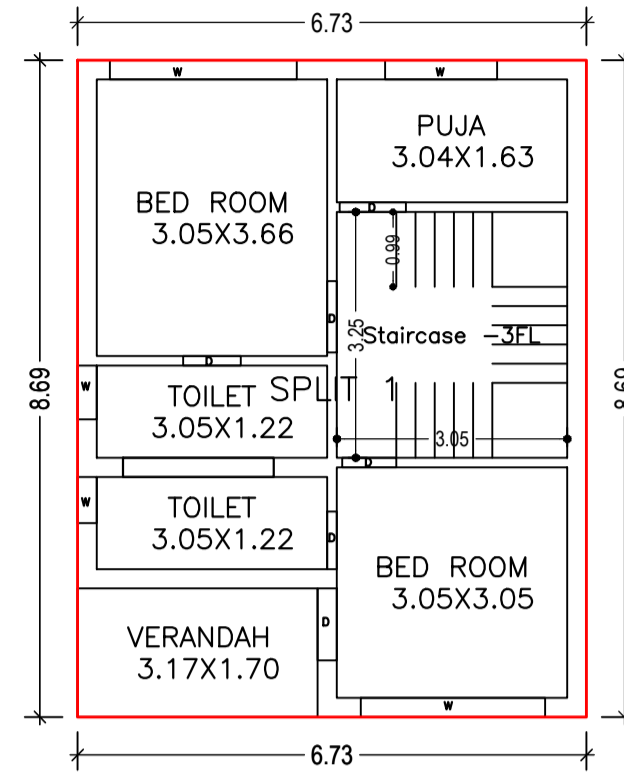




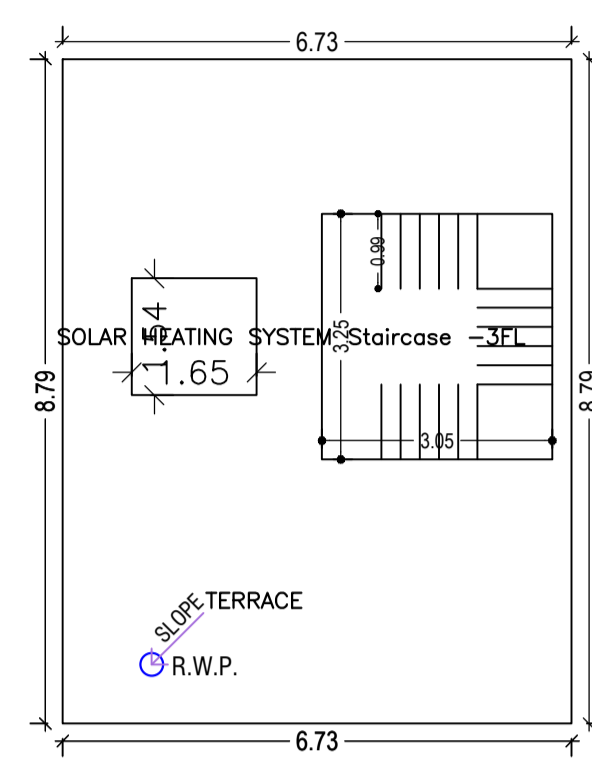
Proposal Basis Information	
Proposal File No.	DMC/BP/0307/W23/2023
Owner Name	ANJALI KUMARI
Khata No	OLD - 81, NEW - 501
Plot No	OLD - 3491, NEW - 4281
Village Name	Kolakusma
Use	Residential
SubUse	Bungalow/ Dwelling / Non Apartment



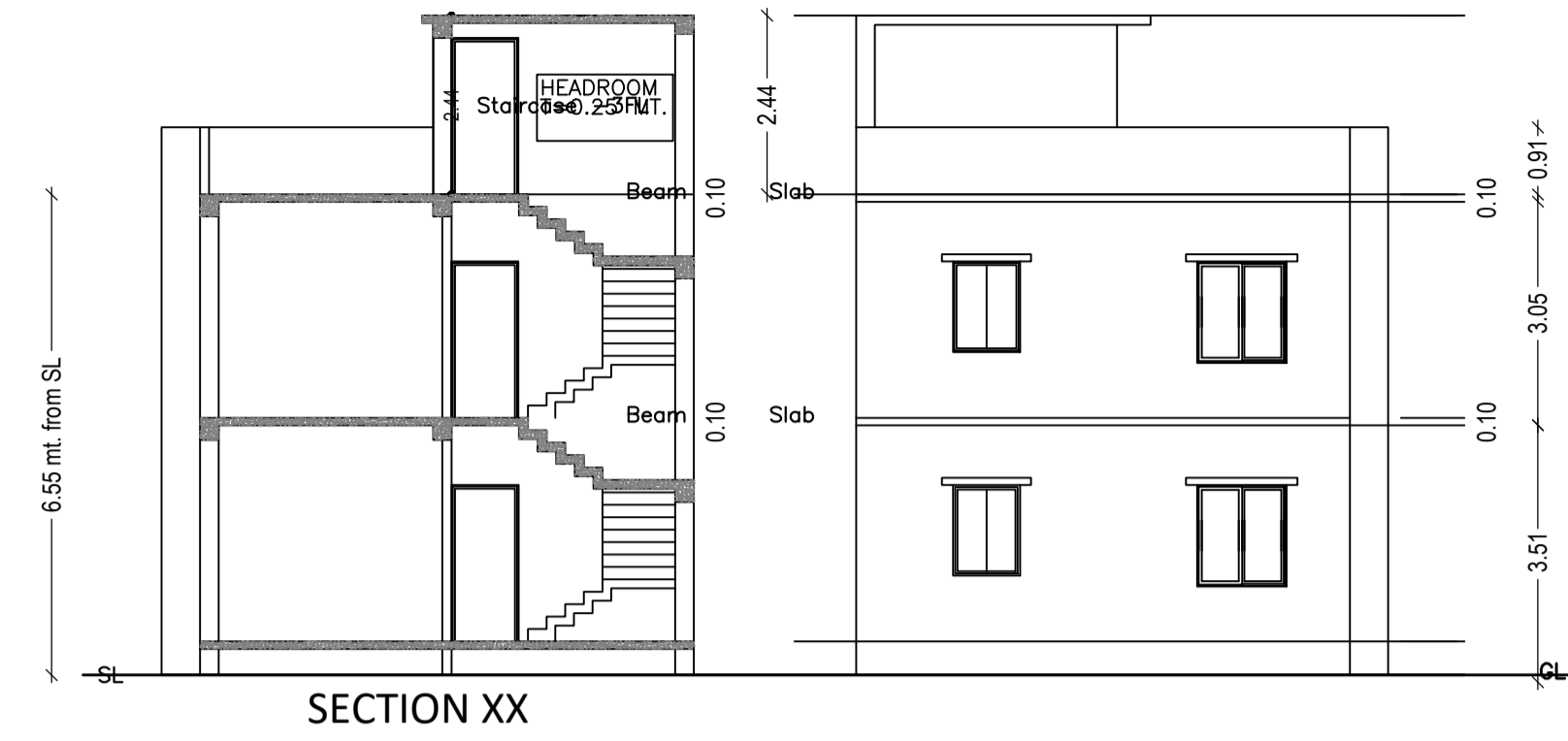
GROUND FLOOR PLAN
(Proposed)
(SCALE 1:100)



FIRST FLOOR PLAN
(Proposed)
(SCALE 1:100)



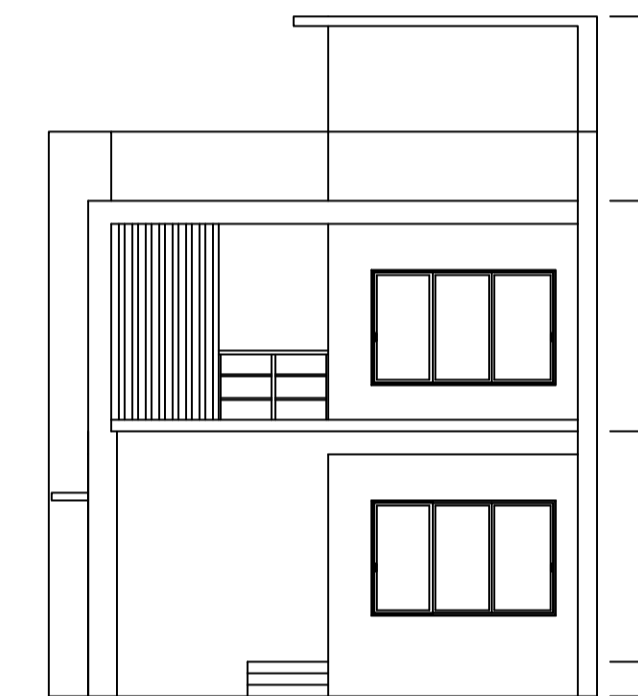
TERRACE FLOOR PLAN
(SCALE 1:100)



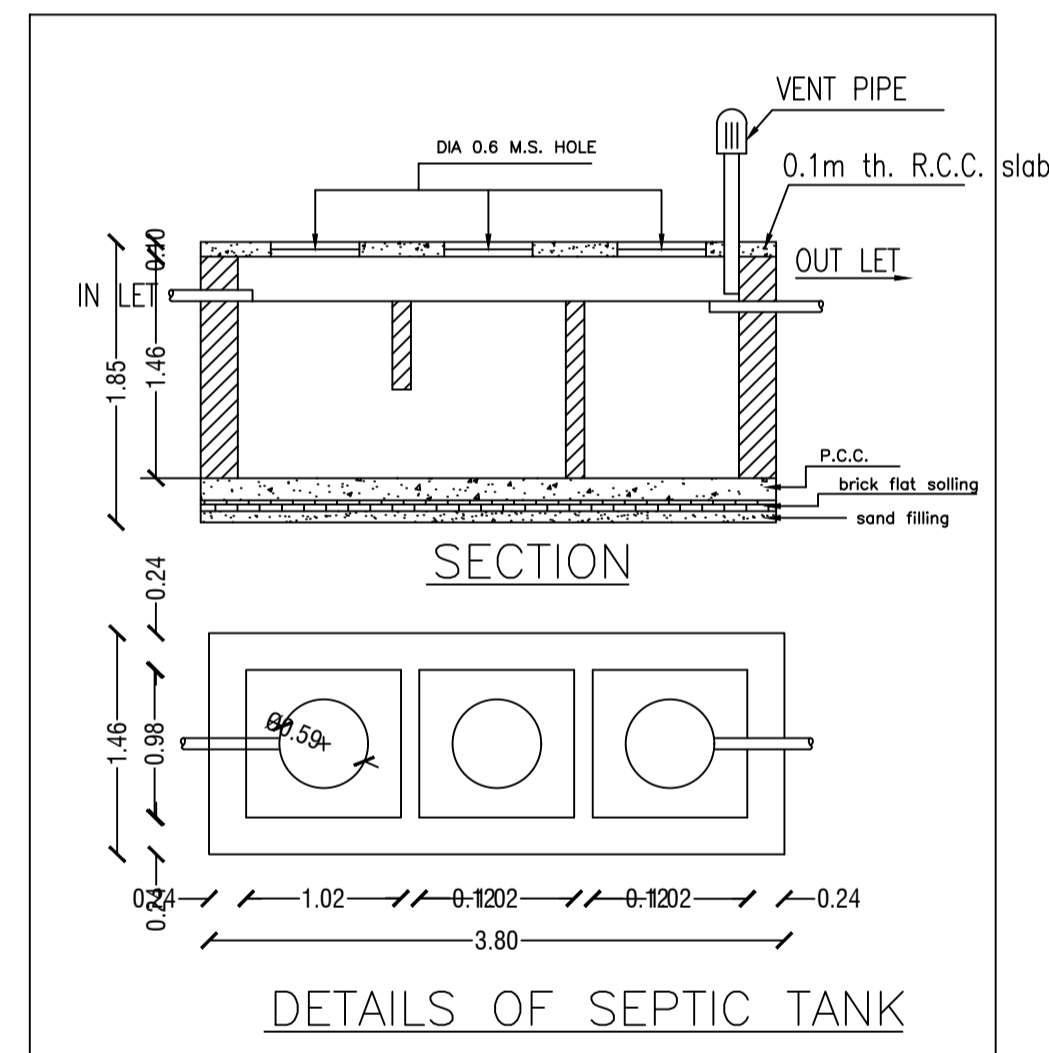
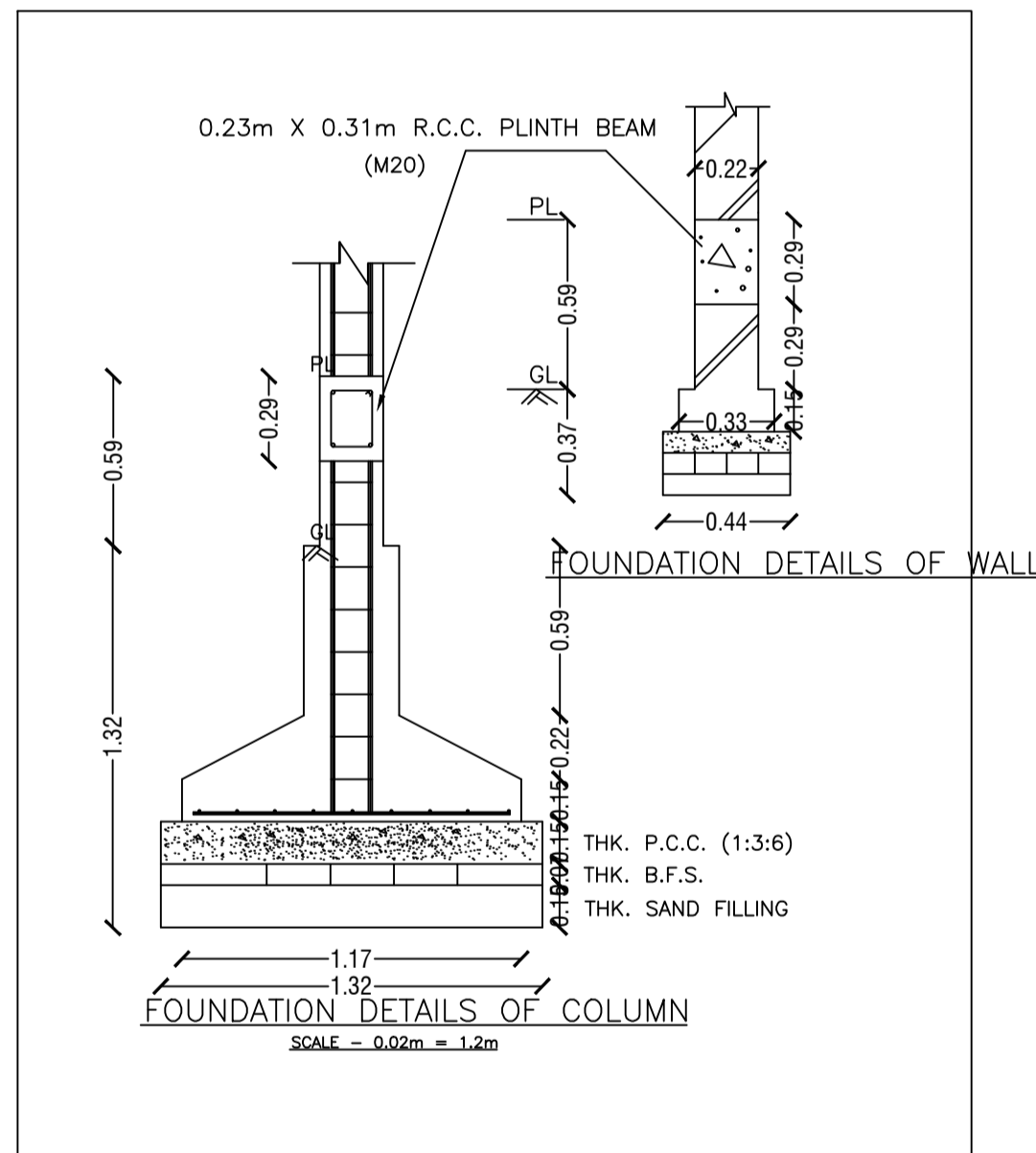
SECTION XX



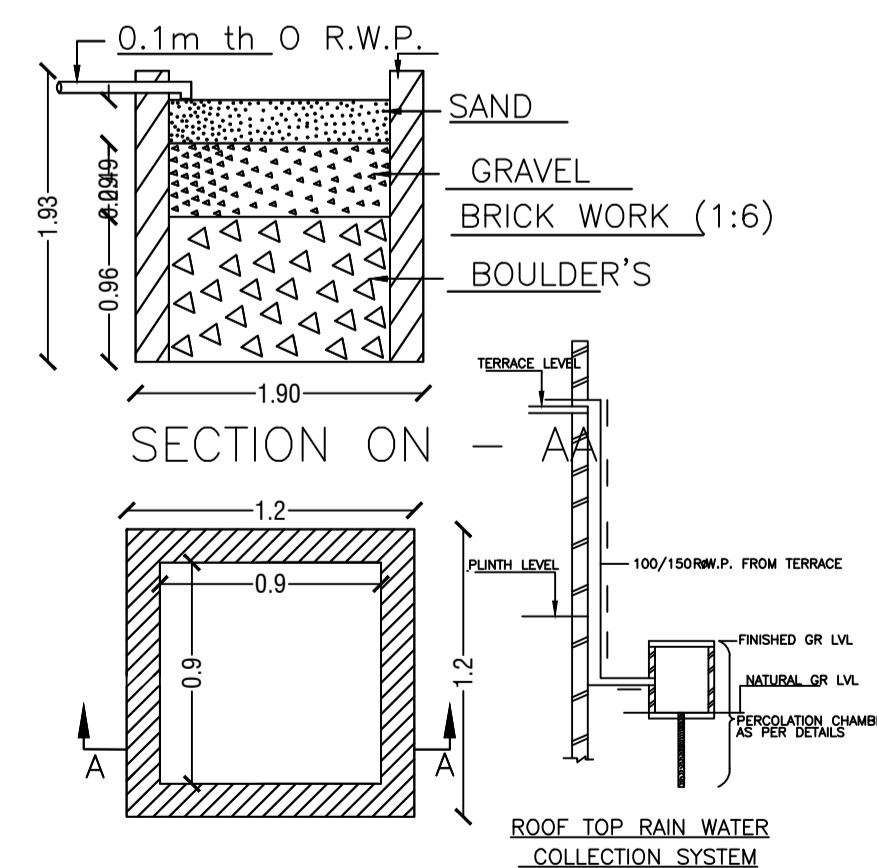
RIGHT SIDE ELEVATION



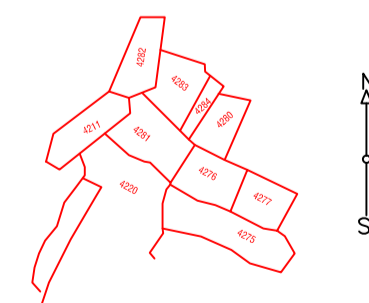
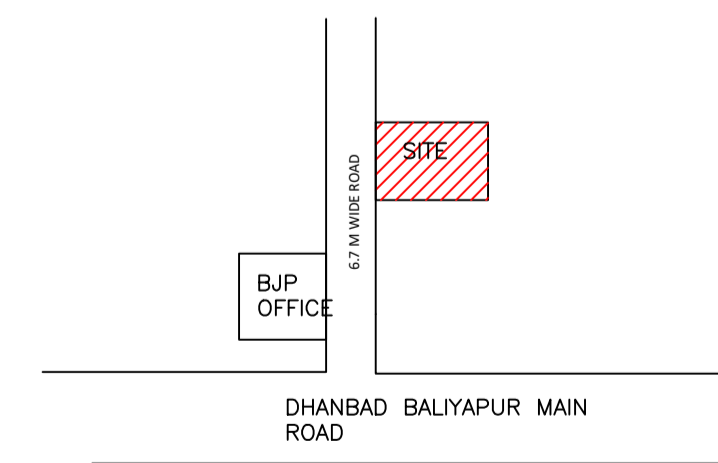
FRONT ELEVATION



DETAILS OF SEPTIC TANK



DETAIL'S OF WATER HARVESTING



LTP NAME AND SIGNATURE	STRUCTURAL ENG'S NAME AND SIGNATURE	BUILDER NAME AND SIGNATURE	DIGITAL SIGNATURE
AMIT KUMAR DMC/ENG/0012/2021			