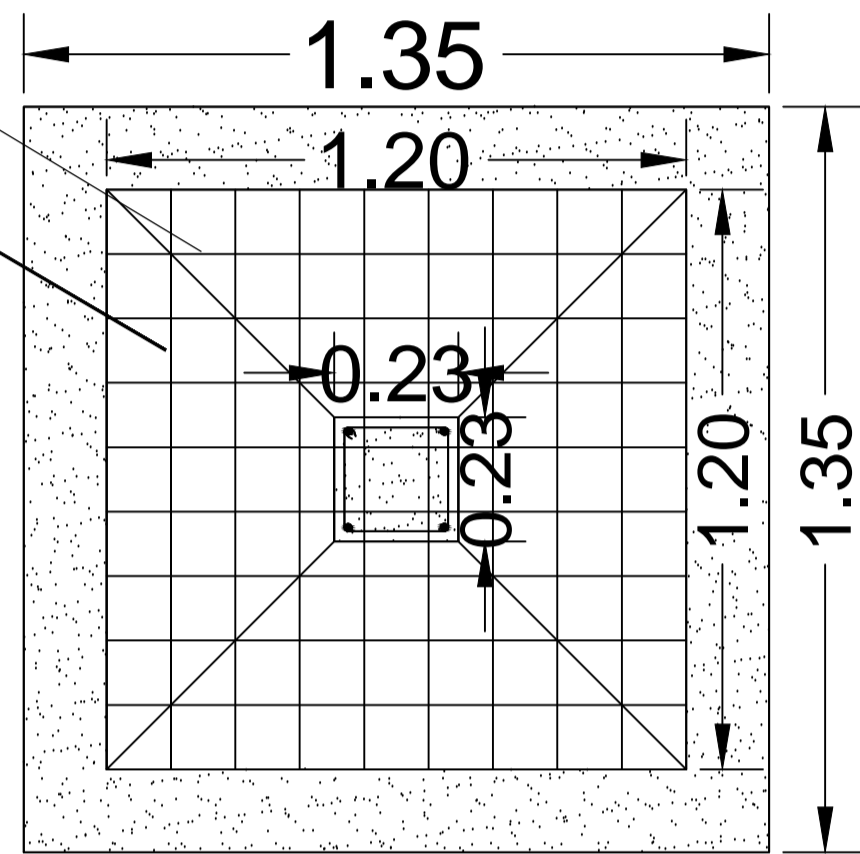


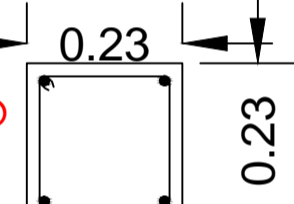
VERTICAL & HORIZONTAL- 12Ø @0.15 C/C



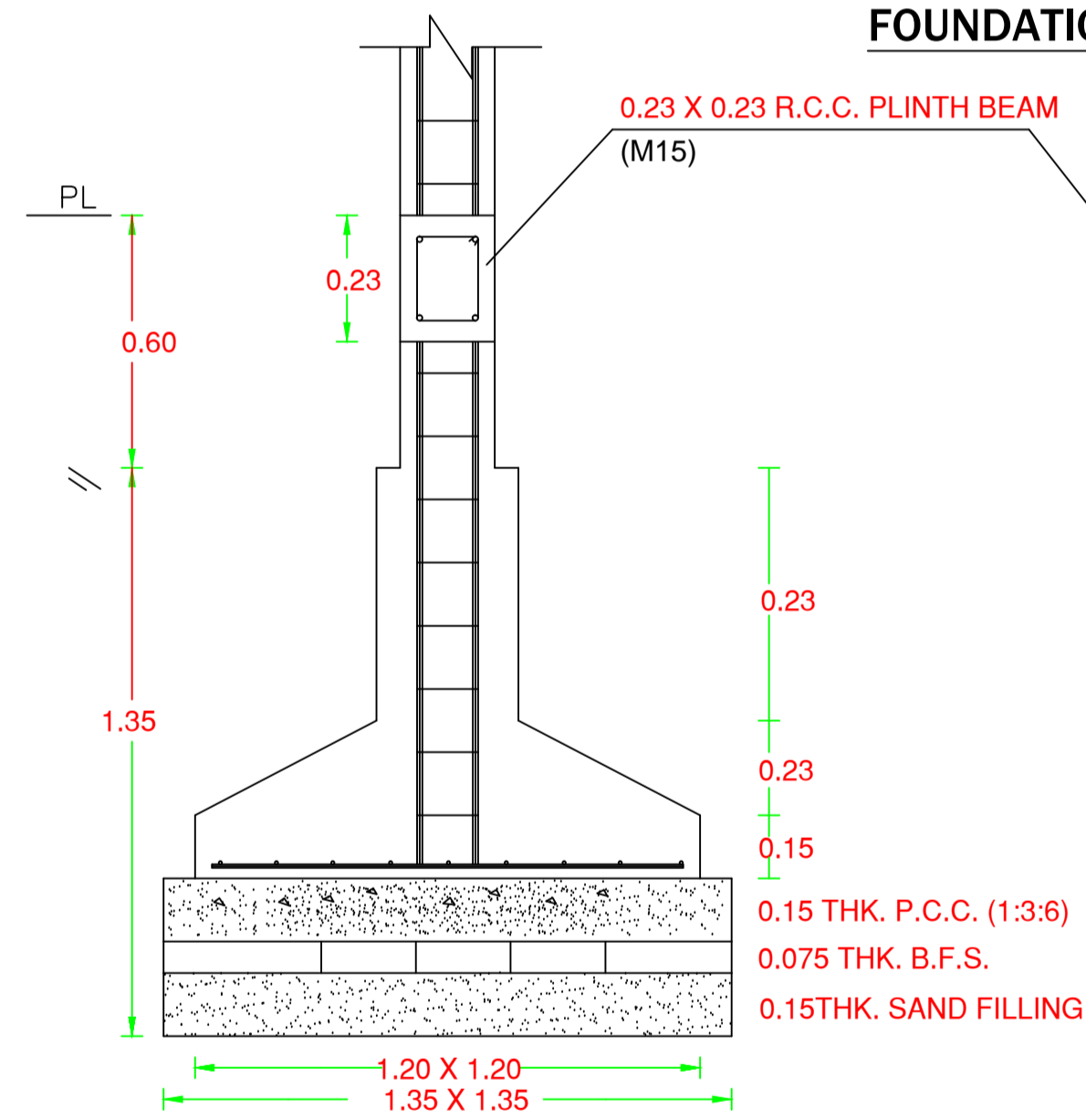
FOUNDATION PLAN

VERTICAL :
4 NOS. - 12Ø

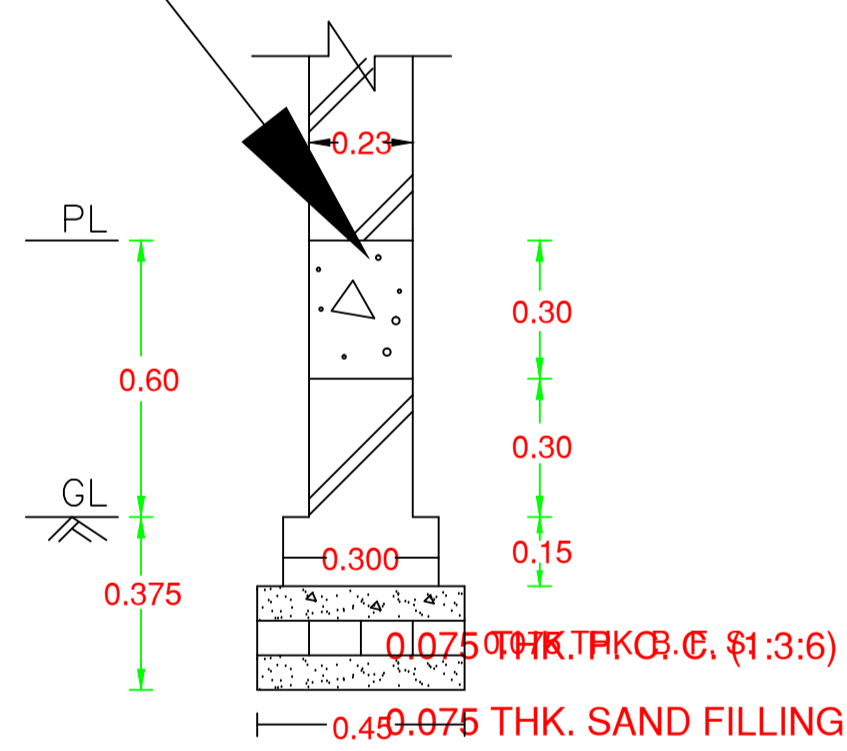
RING : 8Ø @
0.15 C/C



DETAILS OF COLUMN & BEAM



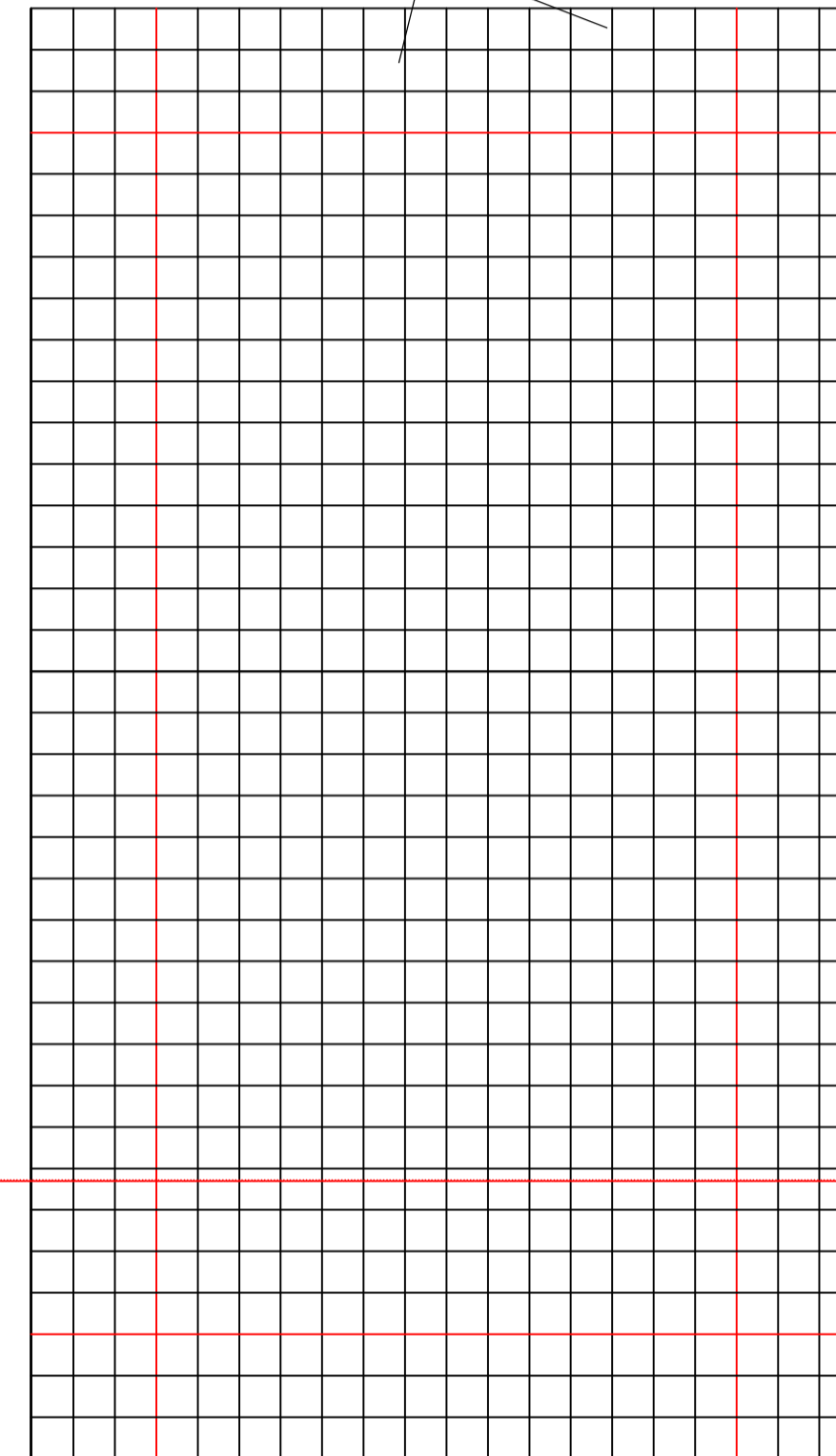
FOUNDATION DETAILS OF COLUMN



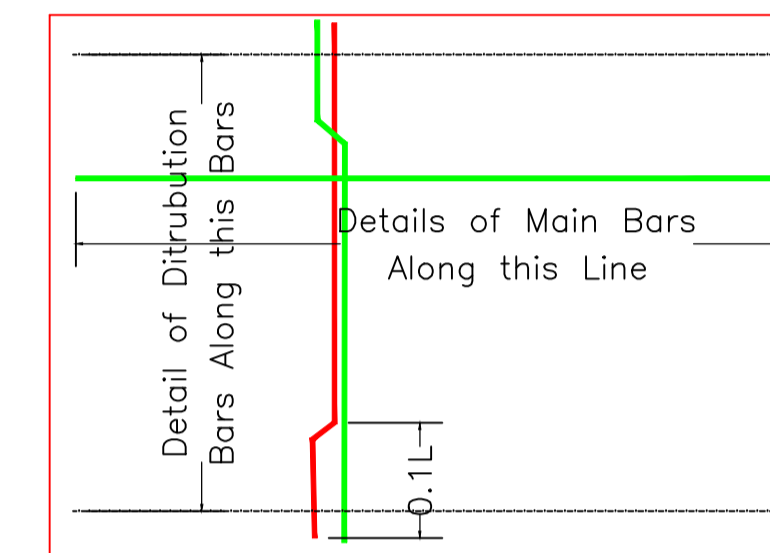
FOUNDATION DETAILS OF WALL

Structure Detail

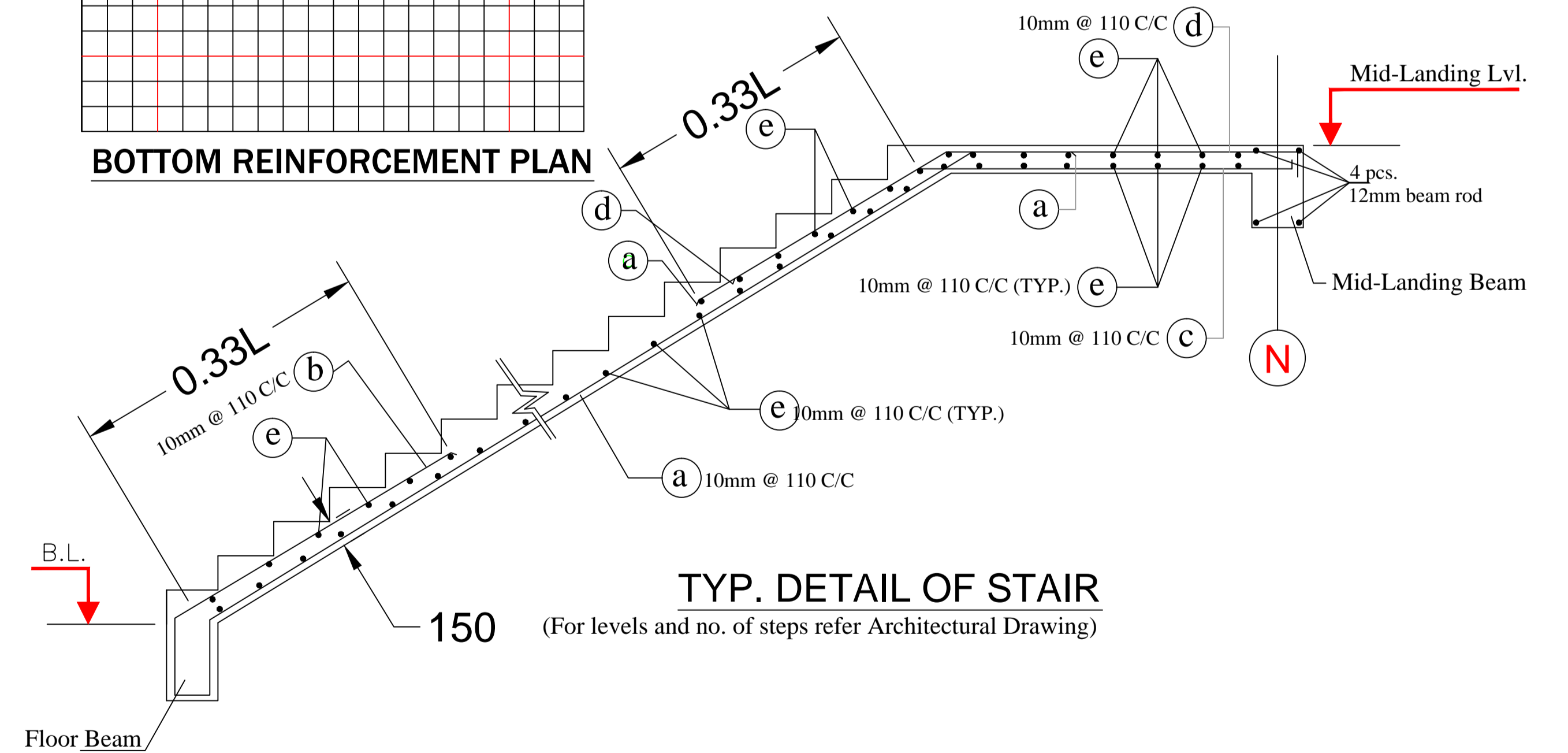
VERTICAL & HORIZONTAL- 12Ø @0.15 C/C



BOTTOM REINFORCEMENT PLAN



SECTION - D:D



TYP. DETAIL OF STAIR

(For levels and no. of steps refer Architectural Drawing)