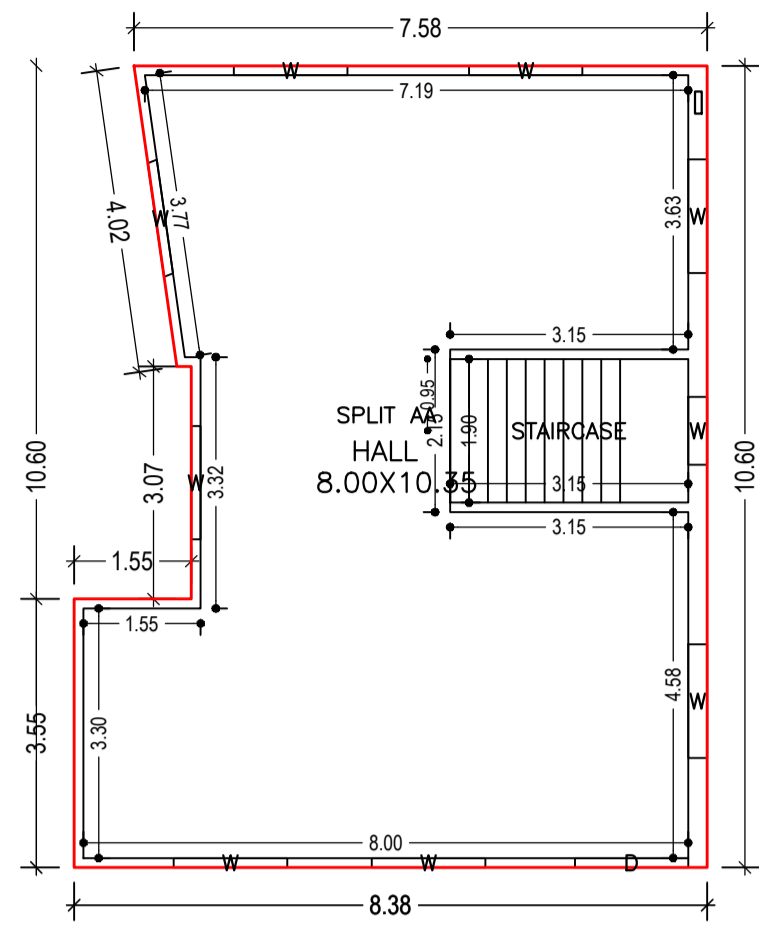
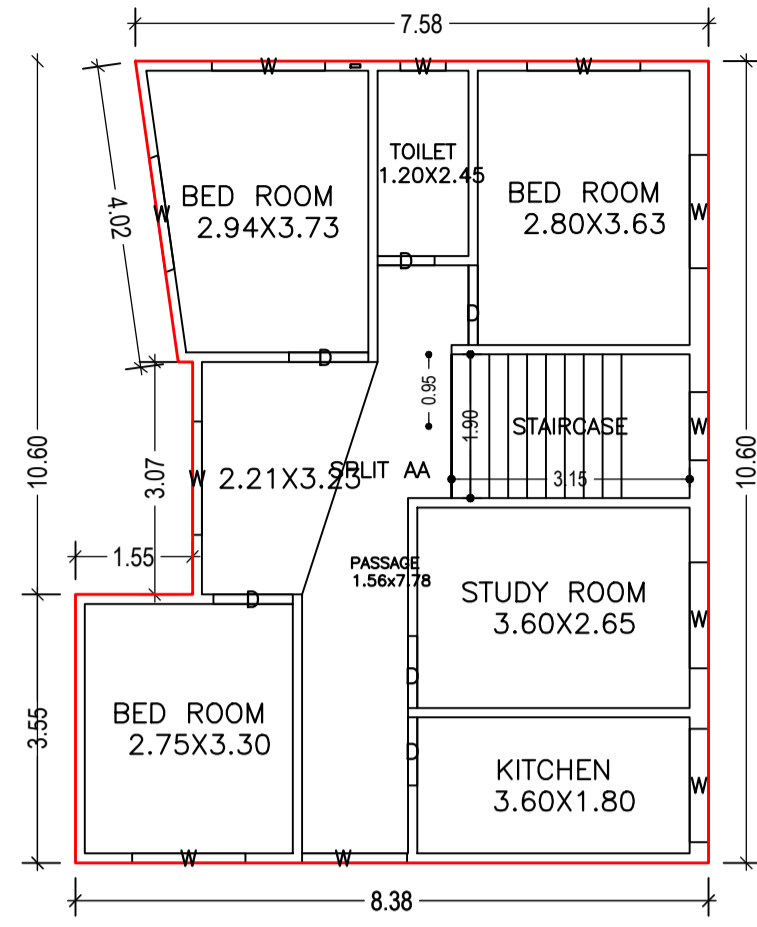


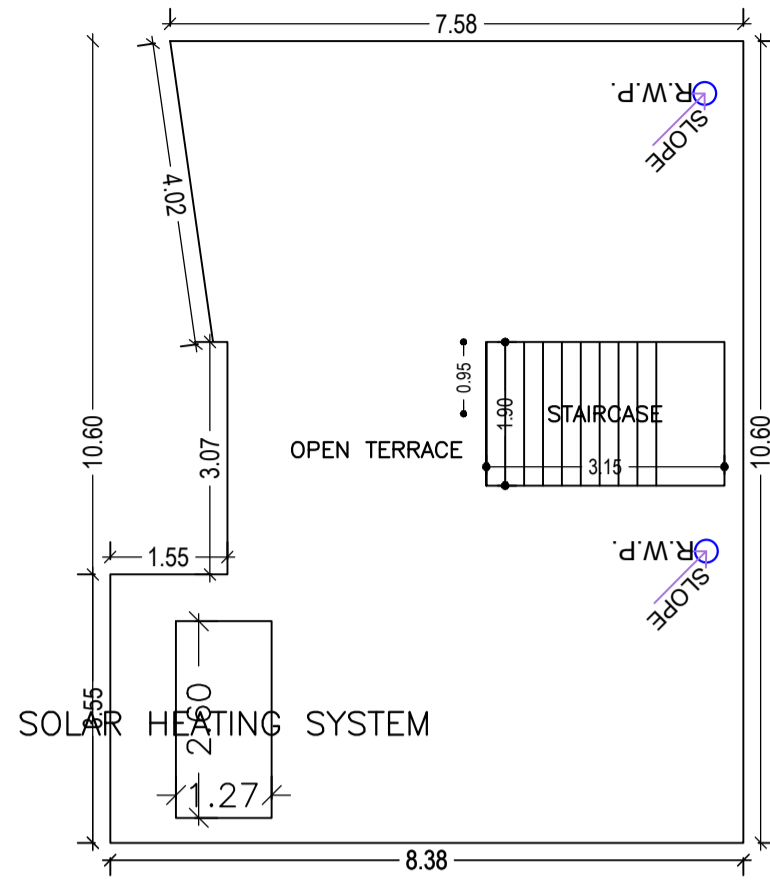
Proposal Basic Information	
Proposal File No.	DMC/BP/0042/W20/2024
Owner Name	SRI RAHUL ANAND
Khata No	16(OLD), 21(NEW)
Plot No	347(OLD), 610,611(NEW)
Village Name	Bisanpur
Use	Residential
SubUse	Bungalow/ Dwelling / Non Apartment



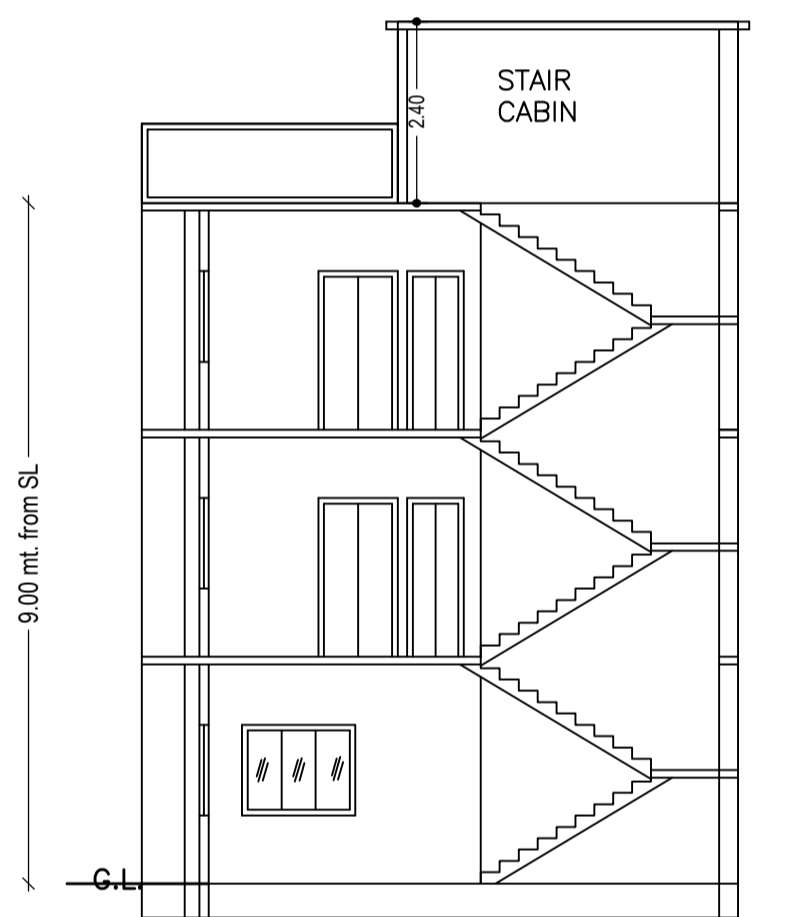
GROUND FLOOR PLAN
(Proposed)
(SCALE 1:100)



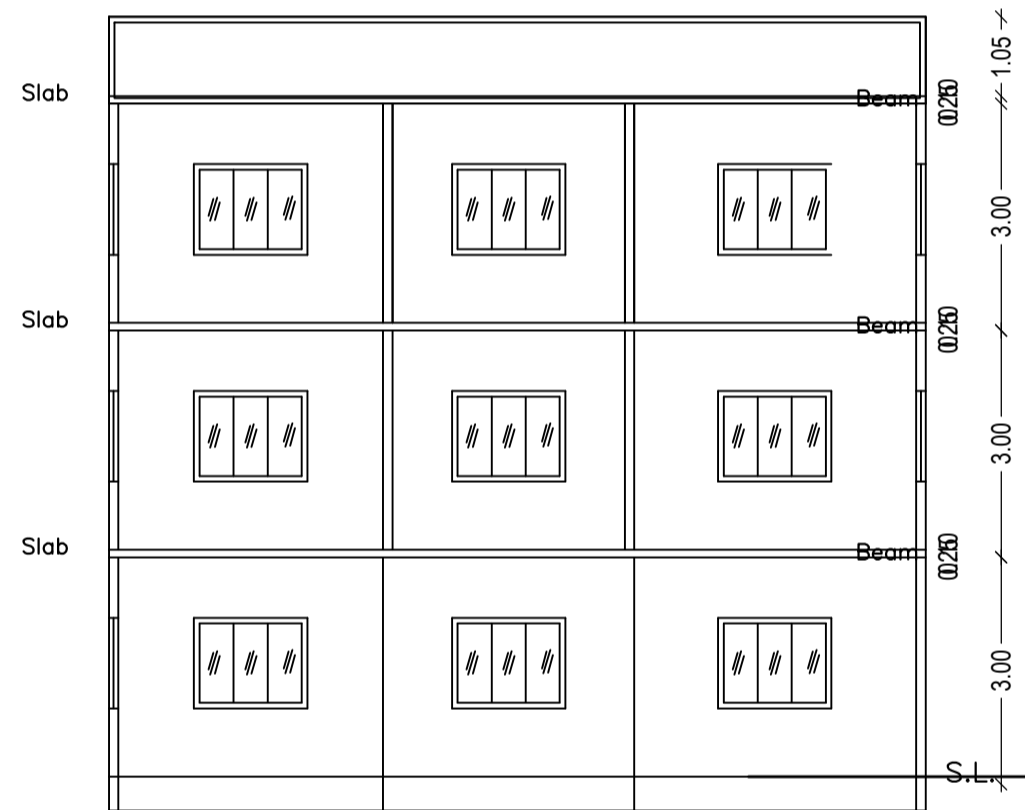
TYPICAL - 1, 2 FLOOR PLAN
(Proposed)
(SCALE 1:100)



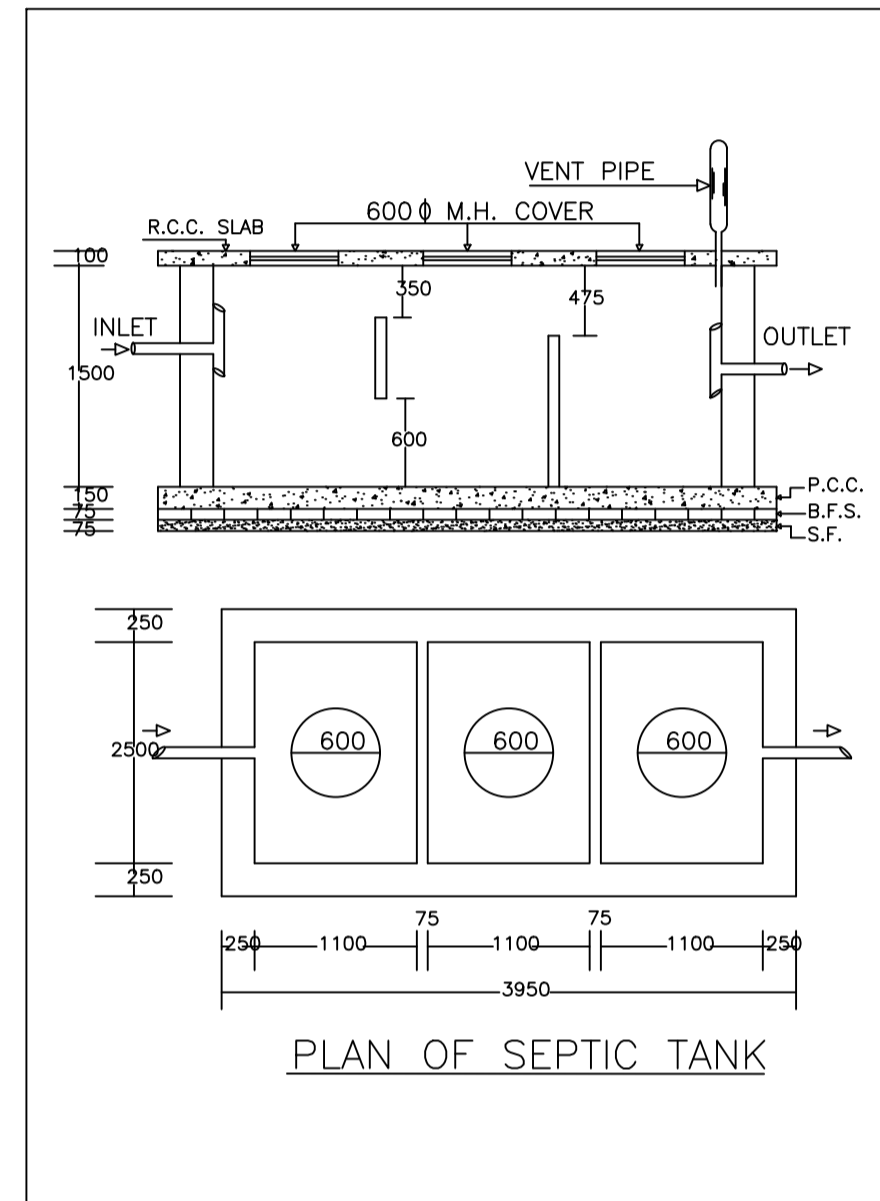
TERRACE FLOOR PLAN
(SCALE 1:100)



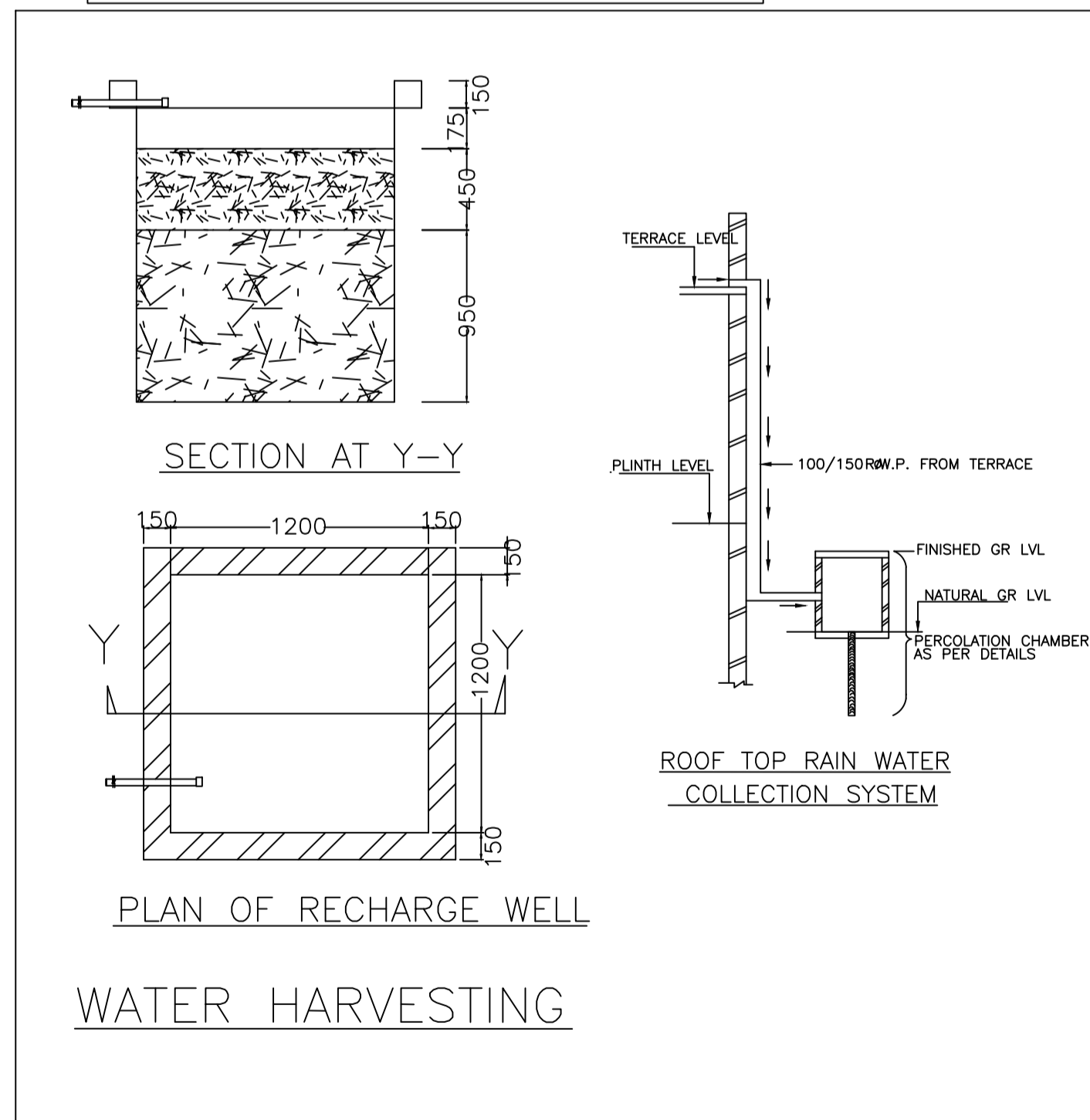
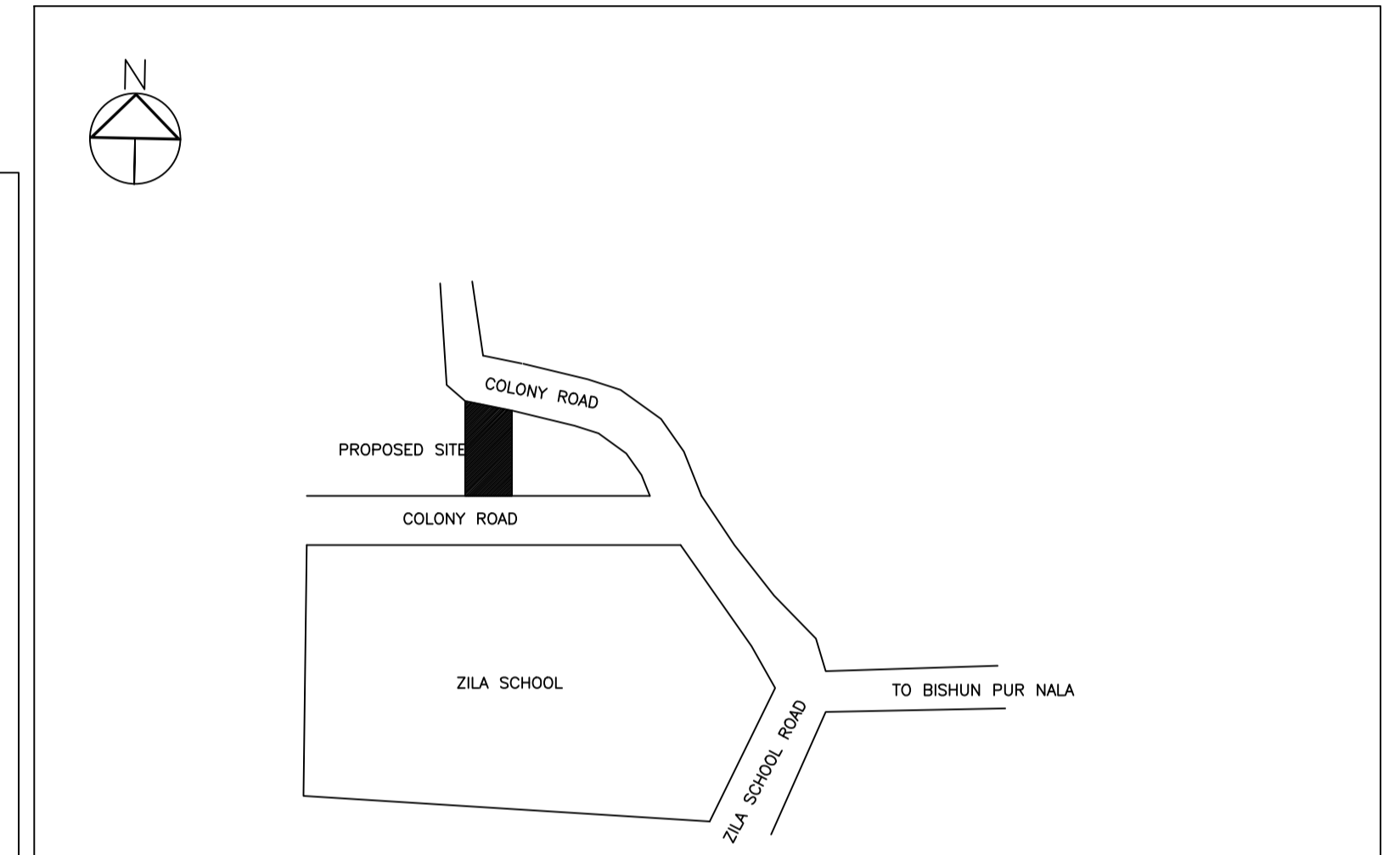
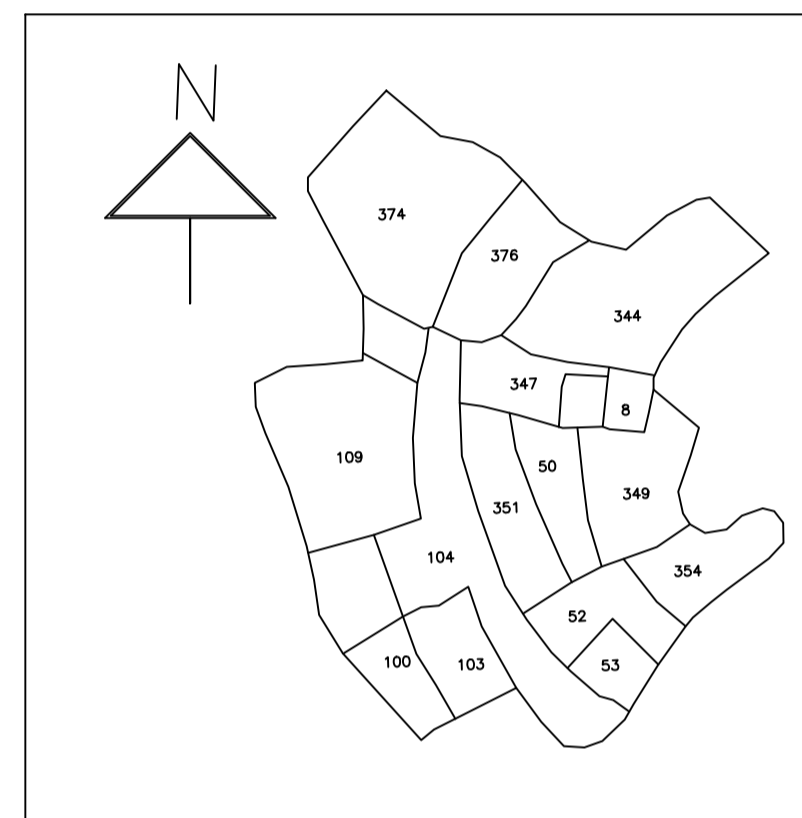
SECTION ON X-X



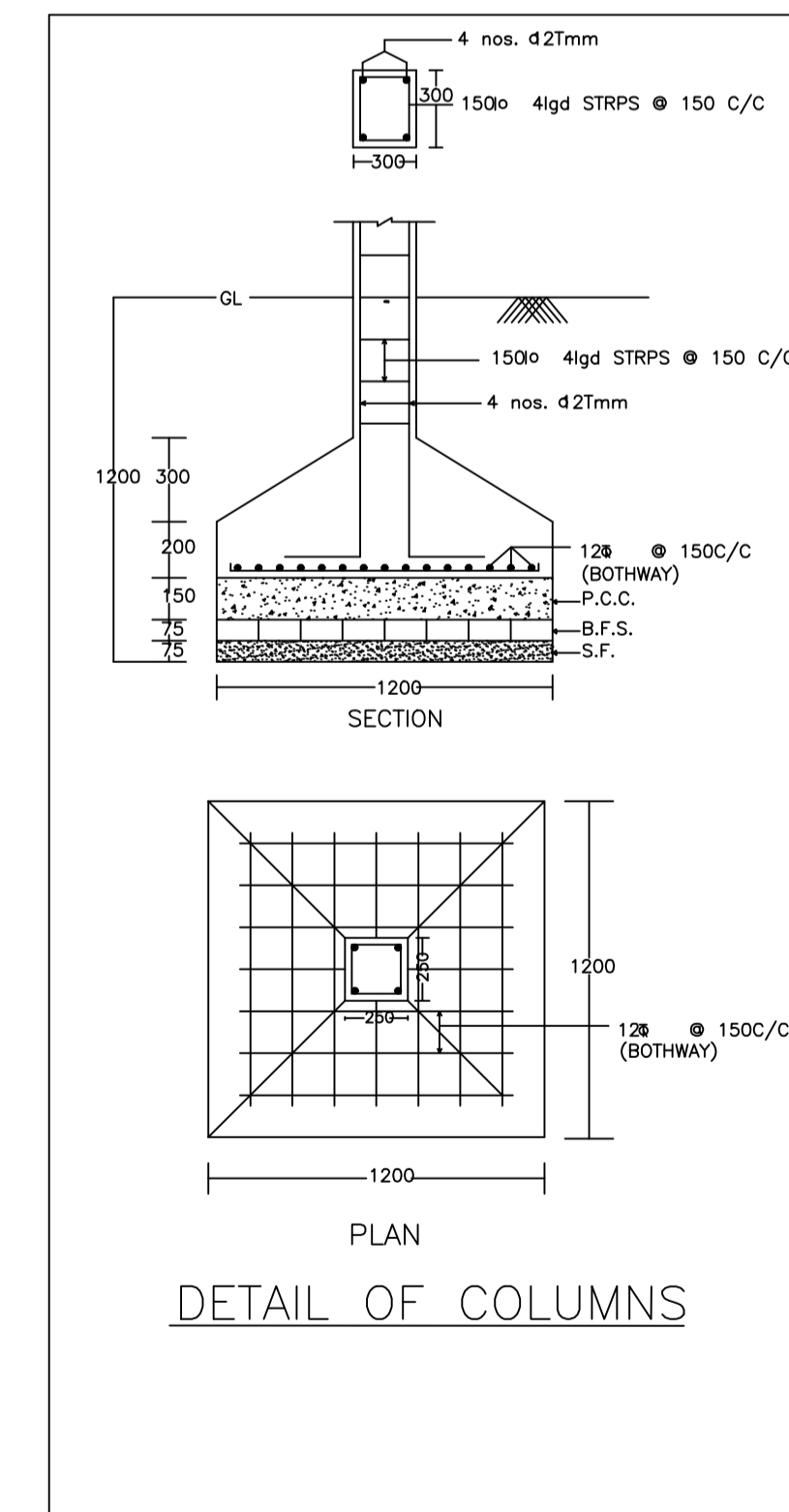
SECTION ON Y-Y



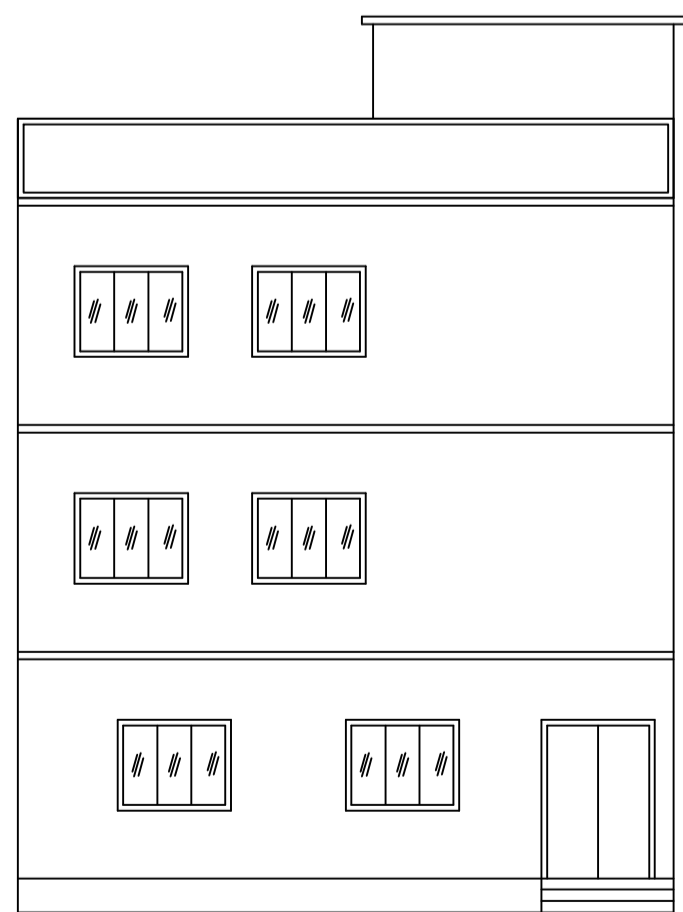
PLAN OF SEPTIC TANK



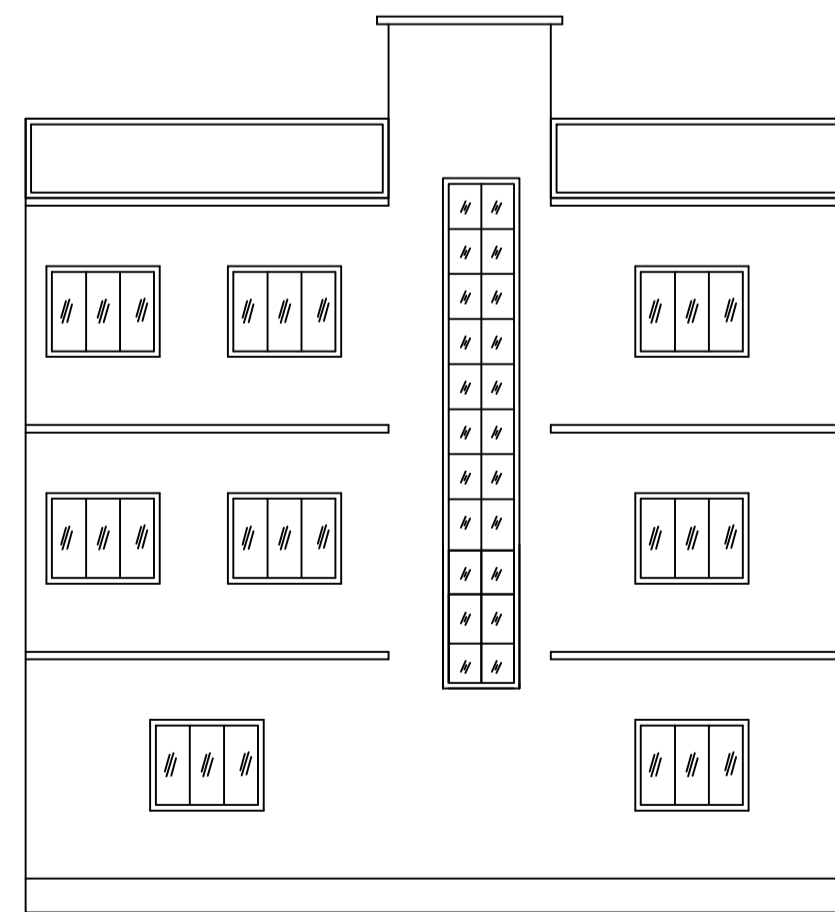
PLAN OF RECHARGE WELL
WATER HARVESTING



DETAIL OF COLUMNS



FRONT ELEVATION



RIGHT SIDE ELEVATION

LTP NAME AND SIGNATURE	STRUCTURAL ENG'S NAME AND SIGNATURE	BUILDER NAME AND SIGNATURE	DIGITAL SIGNATURE
AJAY KUMAR KESARI DMC/ENG/0007/2021			