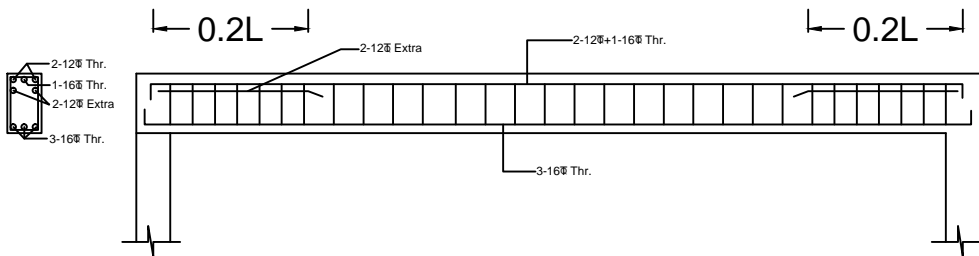


COLUMN DETAILS

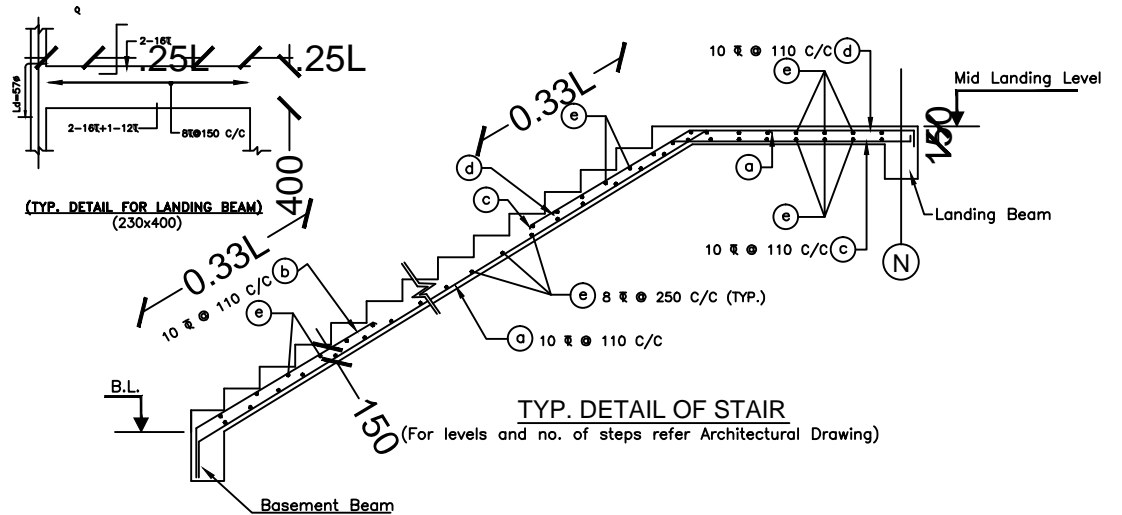
SCALE:- 1:50



STRUCTURAL DETAILS OF BEAM

SLAB SCHEDULE (CONC. GRADE M 20)			
THICKNESS OF SLAB = 4.5 * (SMALLEST SPAN) UNLESS OTHERWISE SPECIFIED			
SLAB MARKED	THK.	BY SMALLER SPAN (AT LANDING SPAN alternate marked)	AT SUPPORT (AT support alternate marked at support)
1	SI	4.5m	4.5m

REINFORCEMENT DETAILS OF SLAB	
	EXT.TOP AS BINDER ALTERNATE CHANGED TYPICAL



TYP. DETAIL OF STAIR

(For levels and no. of steps refer Architectural Drawing)