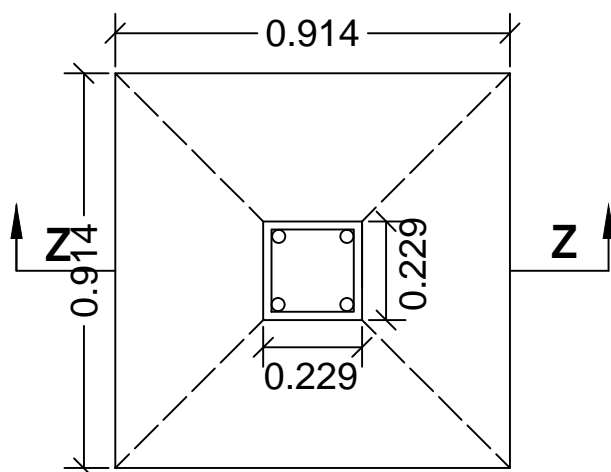


**SECTION ON- ZZ**

SCALE - 1:25



**PLAN**

**DETAILS OF COLUMN FOOTING**