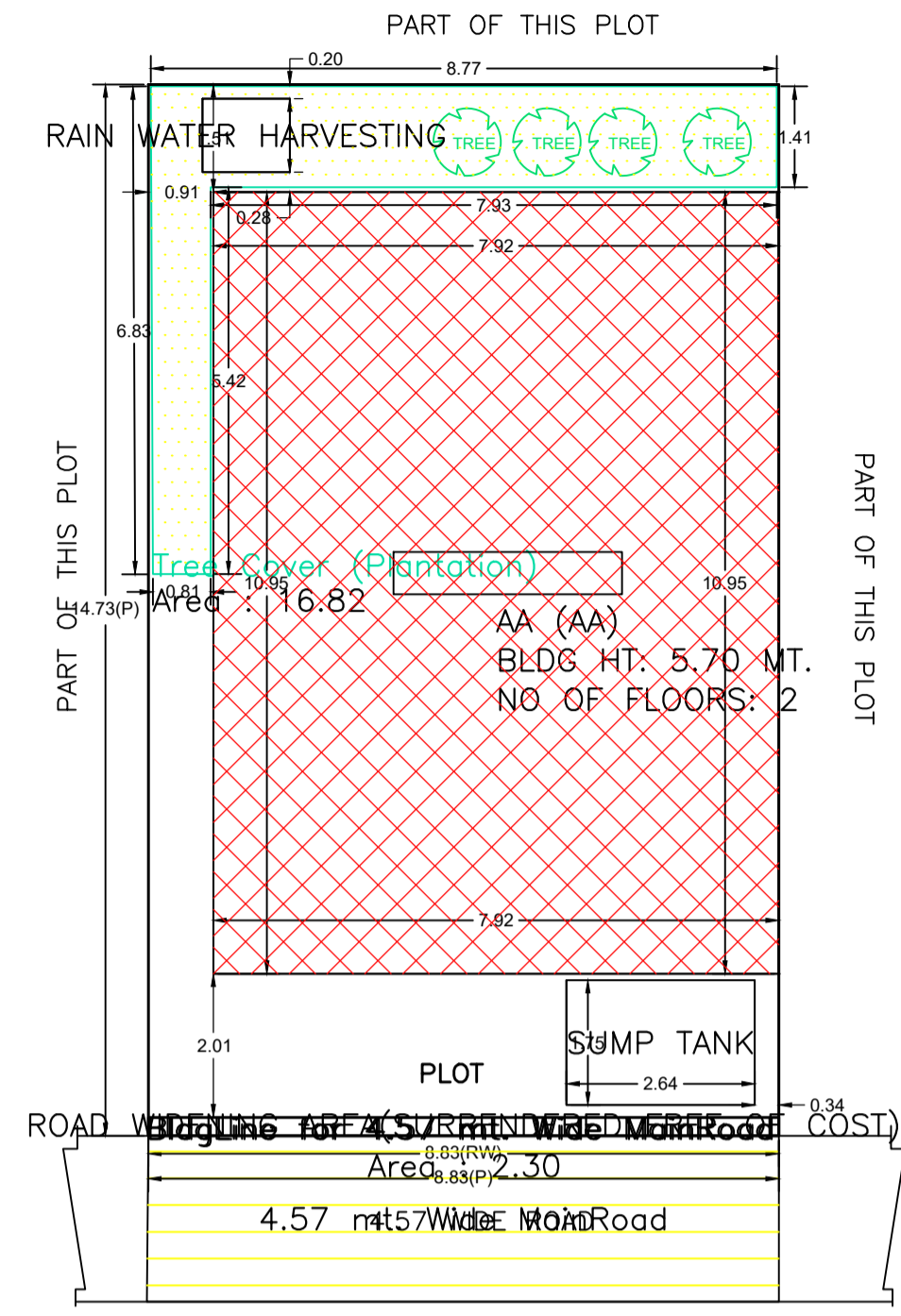


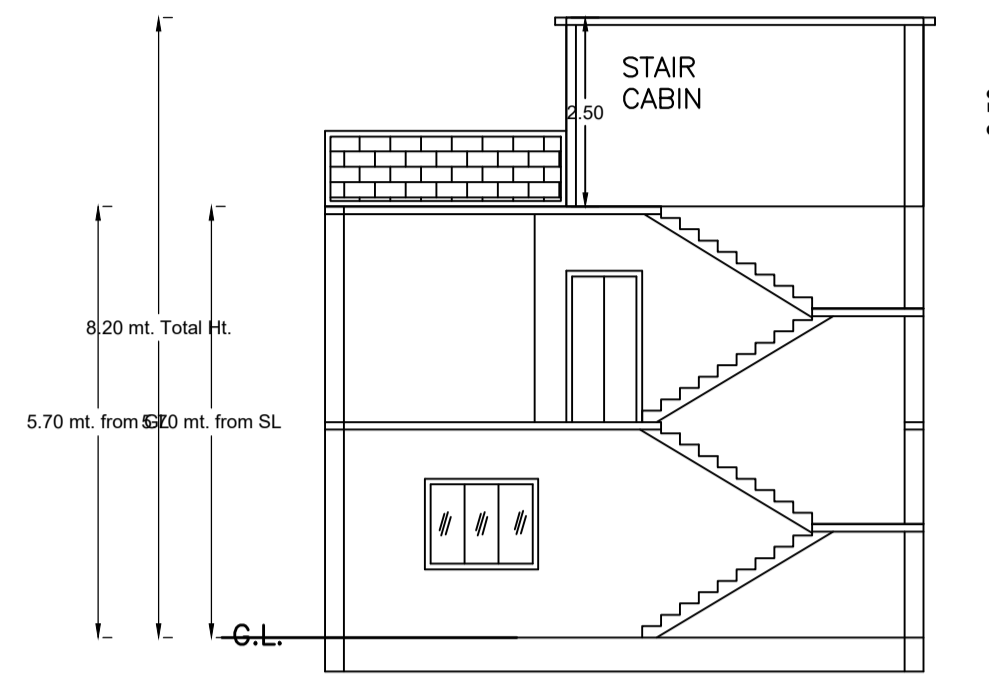
Proposal Basic Information

Proposal File No.	DMC/BP/0139/W23/2024
Owner Name	ANAMIKA SAHU
Khata No	02(OLD), 07(NEW)
Plot No	86(OLD), 157(NEW)
Village Name	Amaghata
Use	Residential
SubUse	Bungalow Dwelling / Non Apartment

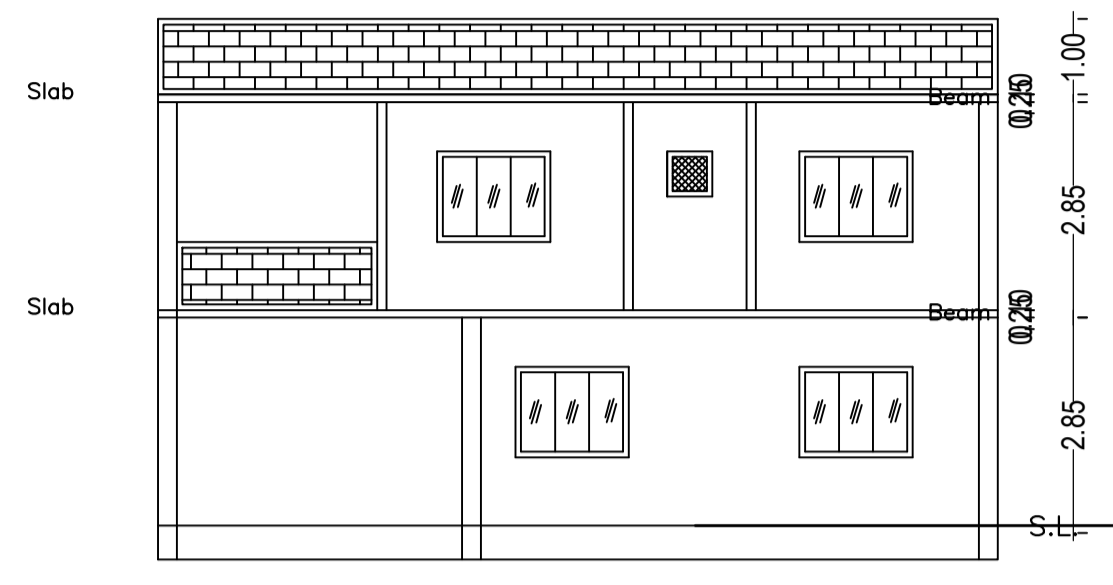


SITE PLAN

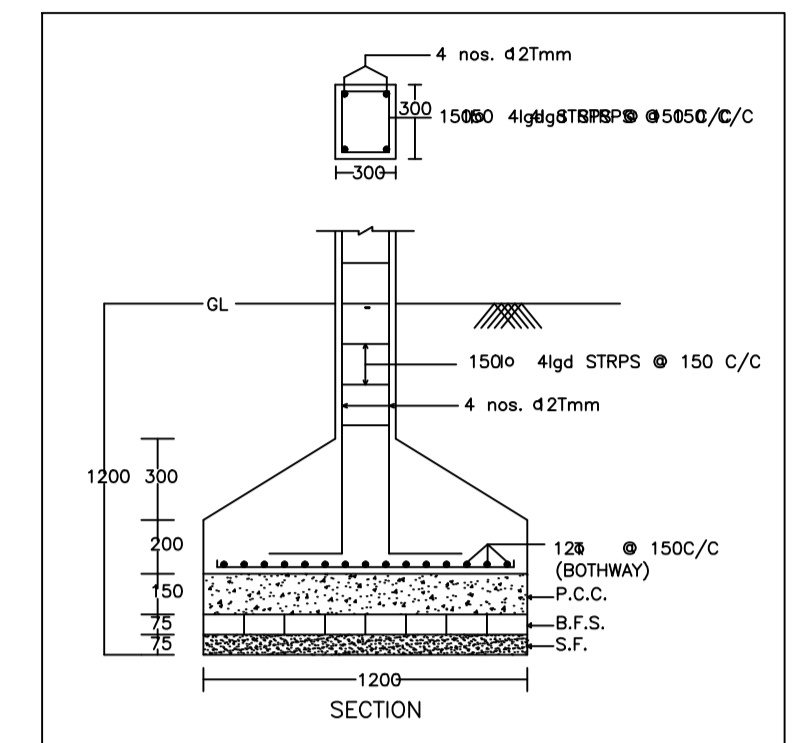
SITE PLAN



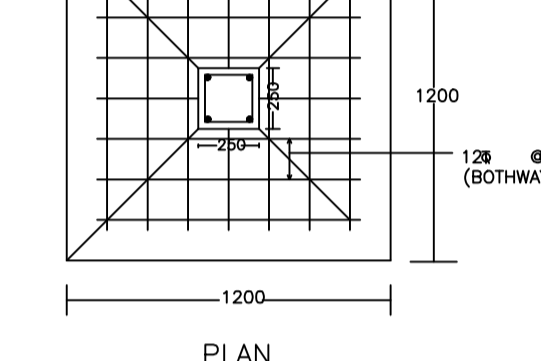
SECTION ON X-X



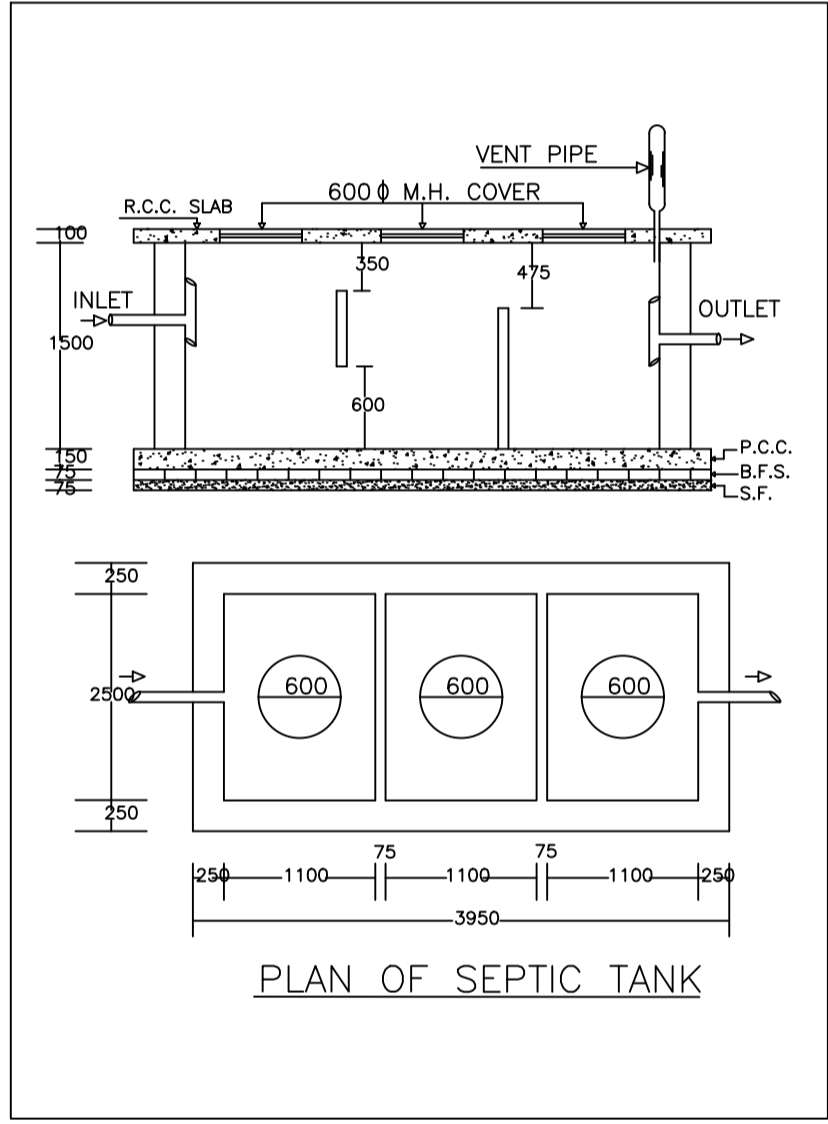
SECTION ON Y-Y



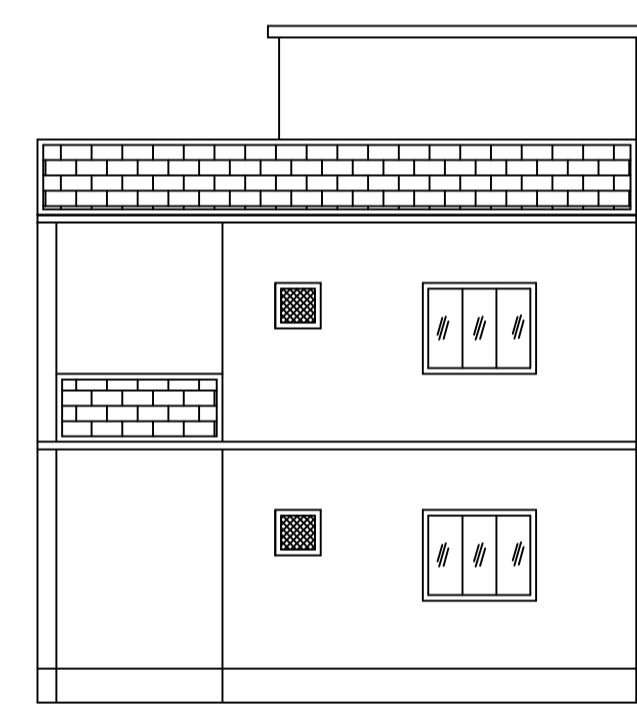
DETAIL OF COLUMNS



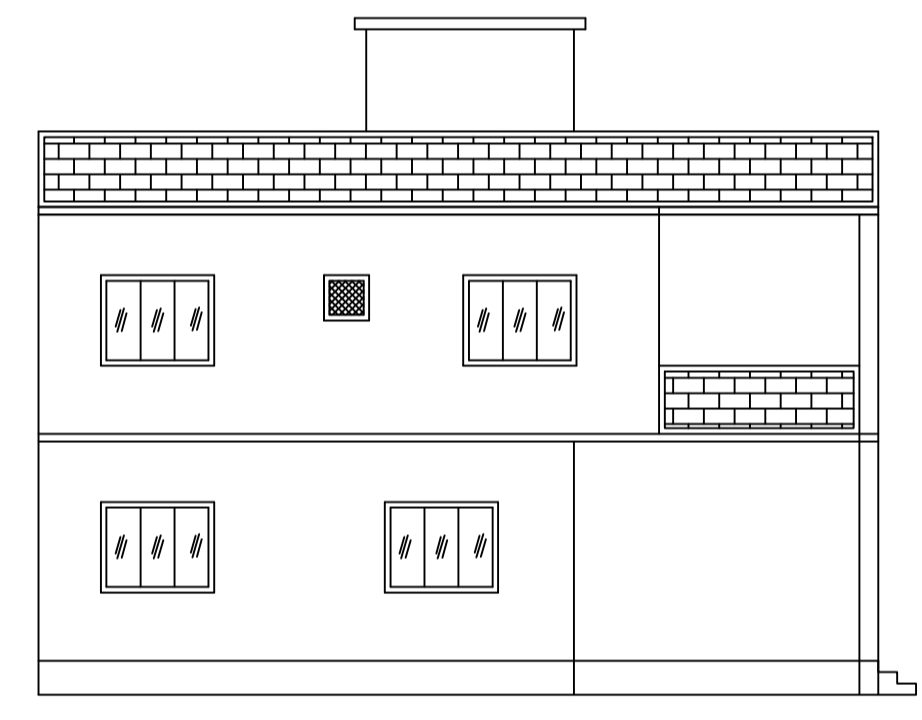
DETAIL OF COLUMNS



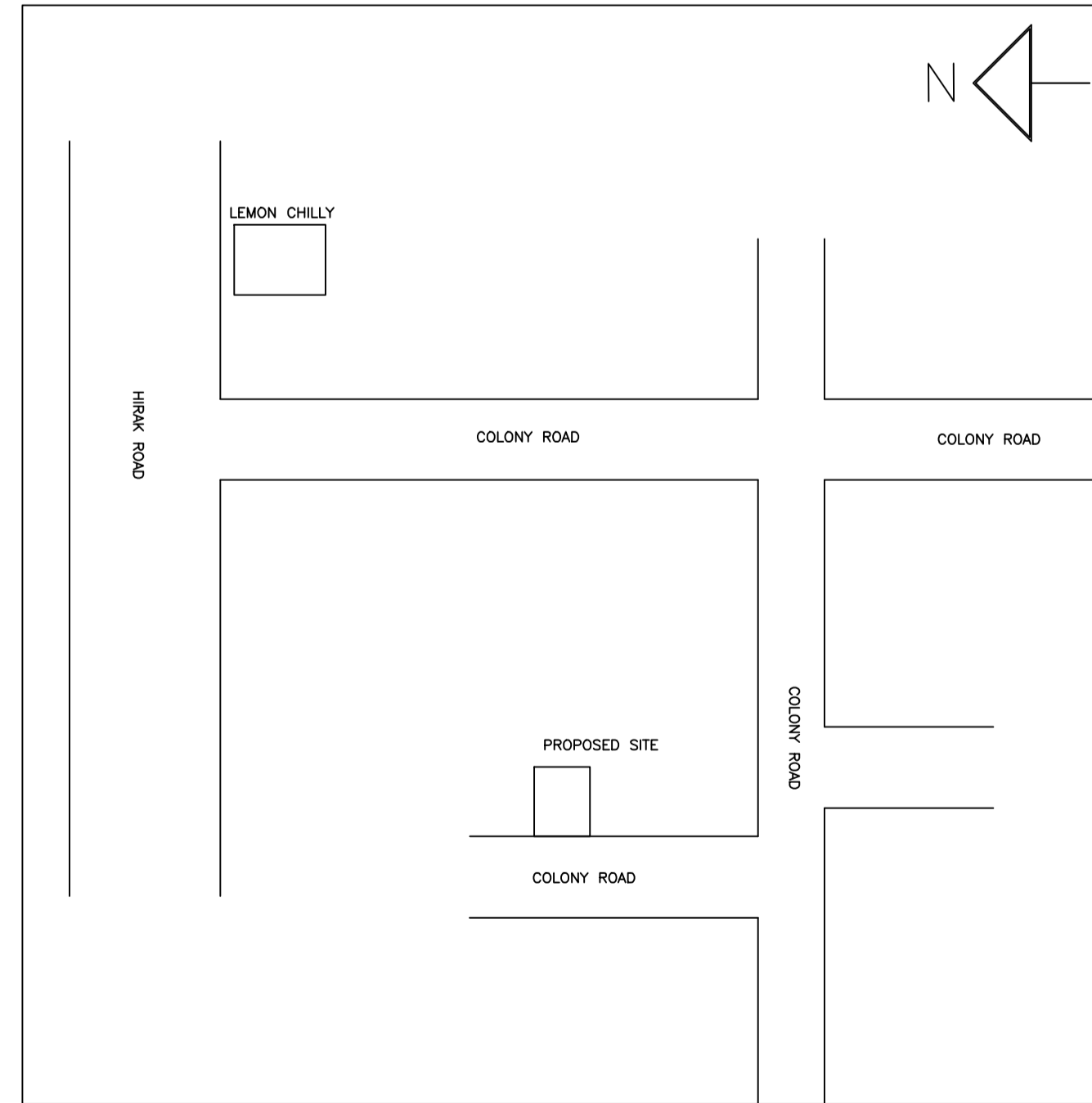
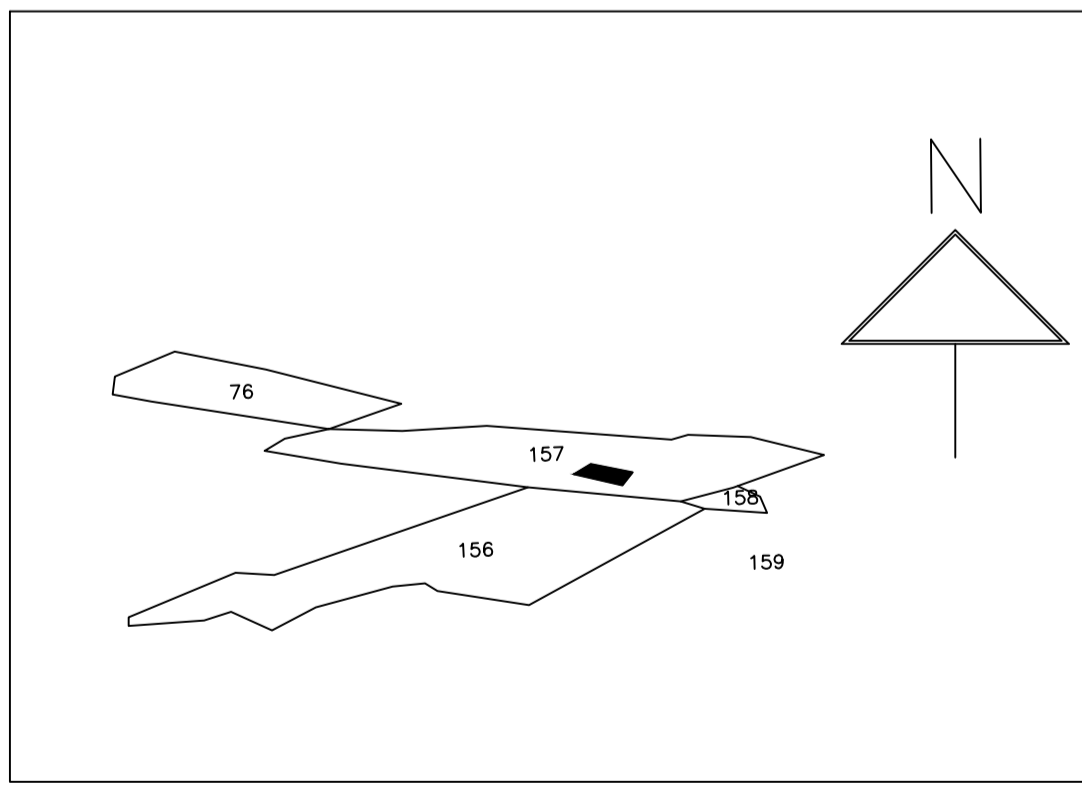
PLAN OF SEPTIC TANK



FRONT ELEVATION



LEFT SIDE ELEVATION



AREA STATEMENT	VERSION NO.: 1.0.70	
DHANBAD MUNICIPAL CORPORATION	VERSION DATE: 16/10/2020	
PROJECT DETAIL:		
Region: JHARKHAND URBAN LOCAL BODIES	Plot Use: Residential	
District: DHANBAD	Plot SubUse: Bungalow Dwelling / Non Apartment	
Authority: DHANBAD MUNICIPAL CORPORATION	PlotNearby/ReligiousStructure: NA	
Inward No: DMC/BP/0139/W23/2024	Plot/SubPlot No: 86(OLD), 157(NEW)	
Application Type: General Proposal	North: Plot No. - PART OF THIS PLOT	
Project Type: Building Permission	South: Plot No. - PART OF THIS PLOT	
Nature of Development: New	East: Plot No. - PART OF THIS PLOT	
Location of Development Area: Old Area	West: Road Width - 4.57 WIDE ROAD	
AREA DETAILS:		
AREA OF PLOT (Minimum)	(A)	SQ.MT.
Deduction for NetPlot Area		130.07
Surrender Free of Cost		
Total		2.30
NET AREA OF PLOT(Gross Plot Area - Deduction from Gross Plot area)	(A-Deductions)	127.77
Deduction for Balance Plot Area(from Gross Plot Area)		
Surrender Free of Cost		2.30
Common Plot		16.82
Total		19.12
BALANCE AREA OF PLOT(Net Plot Area - Recreational/Amenity space)	(A-Deductions)	110.95
PLOT AREA FOR COVERAGE(Net Plot Area)	(A-Deductions)	127.77
Plot Area for FAR (Net Plot Area + RoadWidening Area)	(A-Deductions)	130.07
COVERAGE CHECK		
Permissible Coverage area (70.00 %)		89.44
Proposed Coverage Area (67.87 %)		86.72
Total Prop. Coverage Area (67.87 %)		86.72
Balance coverage area (2.13 %)		2.72
FAR CHECK		
Perm. FAR Area (1.500)		195.11
Total Perm. FAR area		195.11
Residential FAR		173.45
Proposed FAR Area		173.45
Total Proposed FAR Area		173.45
Consumed FAR (Factor)		1.33
Balance FAR Area		21.66
BUILT UP AREA CHECK		
Total Proposed BuiltUp Area		173.44
ARCHITECT (Regd)		ASHOK KUMAR
ENGINEER (Regd)		
SUPERVISOR (Regd)		
OWNER (Regd)		ANAMIKA SAHU
DEVELOPMENT AUTHORITY		LOCAL BODY

COLOR INDEX	
PLOT BOUNDARY	Black
ABUTTING ROAD	Red
PROPOSED CONSTRUCTION	Green
COMMON PLOT	Yellow
ROAD WIDENING AREA	Blue
EXISTING (To be retained)	Orange
EXISTING (To be demolished)	Purple

Buildingwise Floor FAR Details

Floor Name	Building Name		Total	
	Proposed Built Up Area (Sq.mt.)	Proposed FAR Area (Sq.mt.)	Total Proposed Built Up Area (Sq.mt.)	Total FAR Area (Sq.mt.)
Ground Floor	86.72	86.72	86.72	86.72
First Floor	86.72	86.72	86.72	86.72
Terrace Floor	0.00	0.00	0.00	0.00
Total :	173.44	173.44	173.44	173.44

Building USE/SUBUSE Details

Building Name	Building Use	Building SubUse	Building Structure
AA (AA)	Residential	Bungalow Dwelling / Non Apartment	Non-Highrise

FAR & Tenement Details (Table 4c-1)

Building	No. of Same Bldg	Total Built Up Area (Sq.mt.)	Proposed FAR Area (Sq.mt.)	Total FAR Area (Sq.mt.)	Total Consumed Additional FAR Area (Sq.mt.)	Tnmt (No.)
AA (AA)	1	173.44	173.44	173.44	173.44	01
Grand Total :	1	173.44	173.44	173.44	173.44	01

SCHEDULE OF DOOR:

BUILDING NAME	NAME	LENGTH	HEIGHT	NOS
AA (AA)	D3	0.90	2.10	04
AA (AA)	D2	0.90	2.10	01
AA (AA)	D2	0.96	2.10	01
AA (AA)	D1	1.00	2.10	03
AA (AA)	D1	1.01	2.10	01
AA (AA)	D	1.50	2.10	01

SCHEDULE OF WINDOW/VENTILATION:

BUILDING NAME	NAME	LENGTH	HEIGHT	NOS
AA (AA)	V	0.60	1.20	03
AA (AA)	W1	1.20	1.20	01
AA (AA)	W2	1.22	1.20	01
AA (AA)	W	1.80	1.20	10

Building :AA (AA)

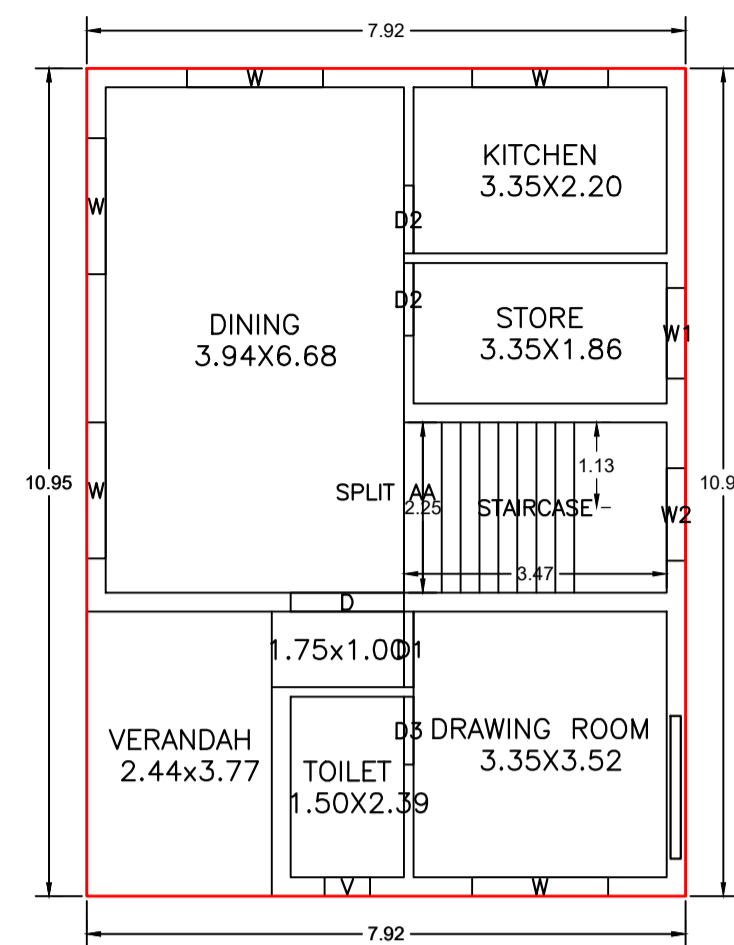
Floor Name	Total Built Up Area (Sq.mt.)	Proposed FAR Area (Sq.mt.)	Total FAR Area (Sq.mt.)	Total Consumed Additional FAR Area (Sq.mt.)	Tnmt (No.)
Ground Floor	86.72	86.72	86.72	86.72	01
First Floor	86.72	86.72	86.72	86.72	00
Terrace Floor	0.00	0.00	0.00	0.00	00
Total :	173.44	173.44	173.44	173.44	01
Total Number of Same Buildings	1				
Total :	173.44	173.44	173.44	173.44	01

UnitBUA Table for Building :AA (AA)

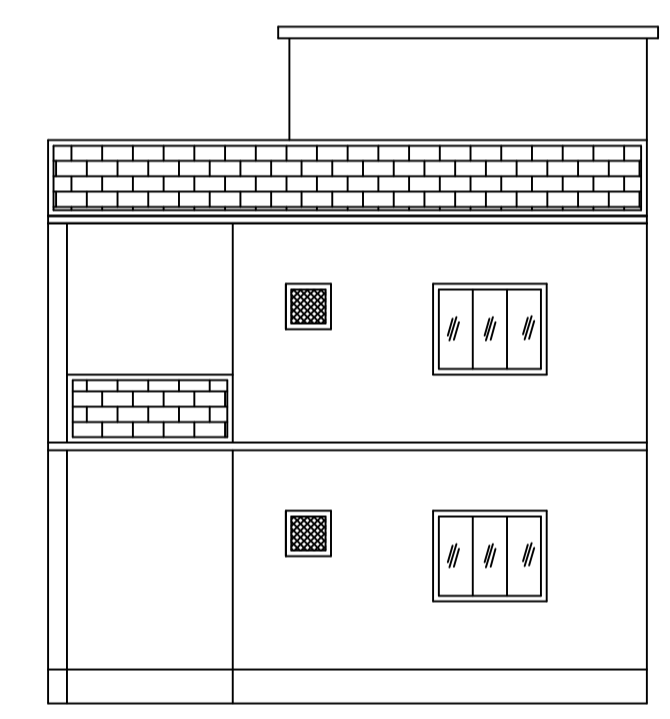
FLOOR	Name	UnitBUA Type	UnitBUA Area	Carpel Area	No. of Rooms	No. of Tenement
GROUND FLOOR PLAN	SPLIT AA	FLAT	173.45	172.95	6	1
FIRST FLOOR PLAN	SPLIT AA	FLAT	0.00	0.00	7	0
Total:	-	-	173.45	172.95	13	1

LTP NAME AND SIGNATURE	STRUCTURAL ENG'S NAME AND SIGNATURE	BUILDER NAME AND SIGNATURE	DIGITAL SIGNATURE
ASHOK KUMAR DMC/ENG/0011/2017			

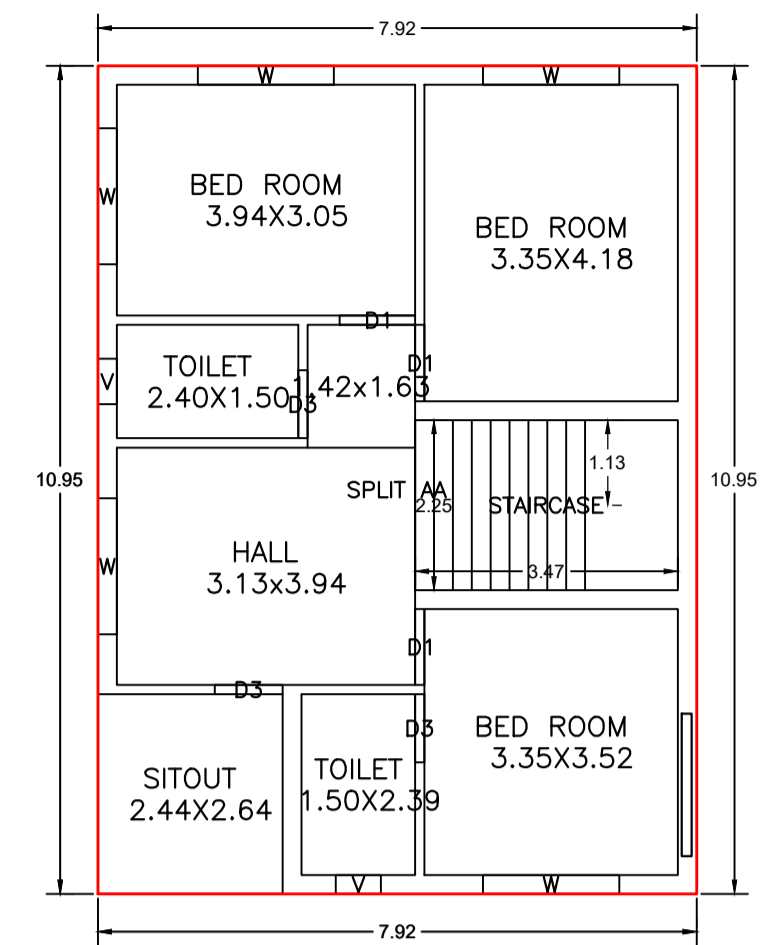
Proposal Basic Information	
Proposal File No.	DMC/BP/0139/W23/2024
Owner Name	ANAMIKA SAHU
Khata No	02(OLD), 07(NEW)
Plot No	86(OLD), 157(NEW)
Village Name	Amaghata
Use	Residential
SubUse	Bungalow/ Dwelling / Non Apartment



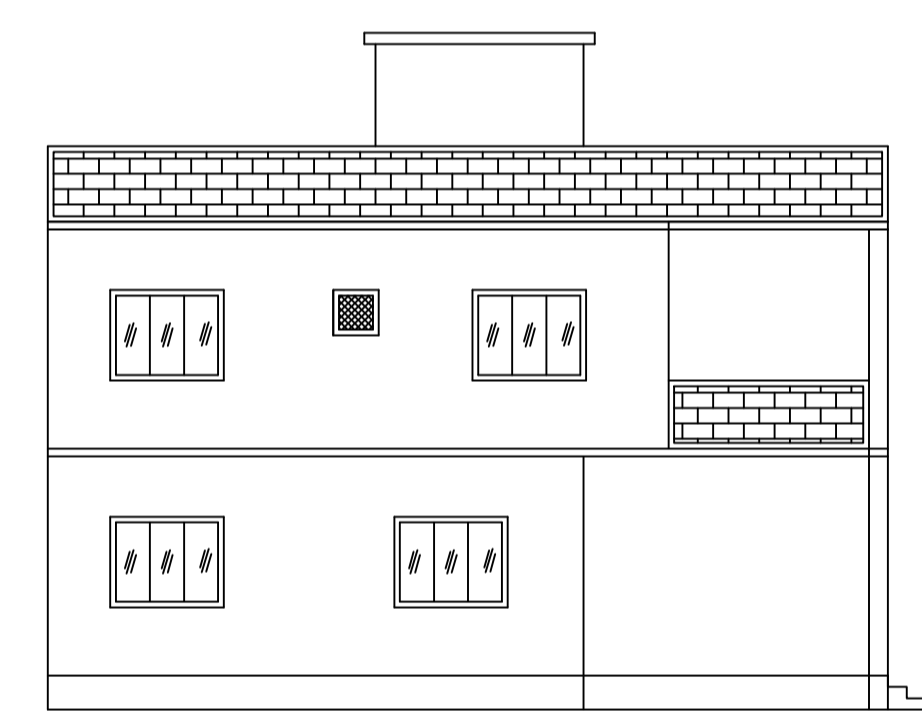
GROUND FLOOR PLAN
(Proposed)
(SCALE 1:100)



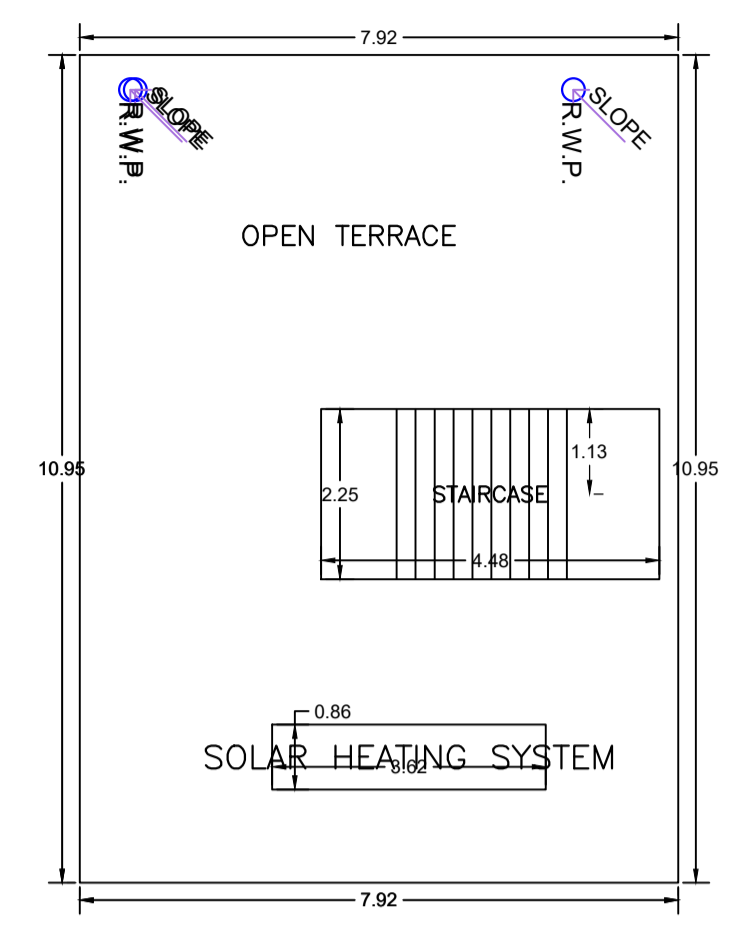
FRONT ELEVATION



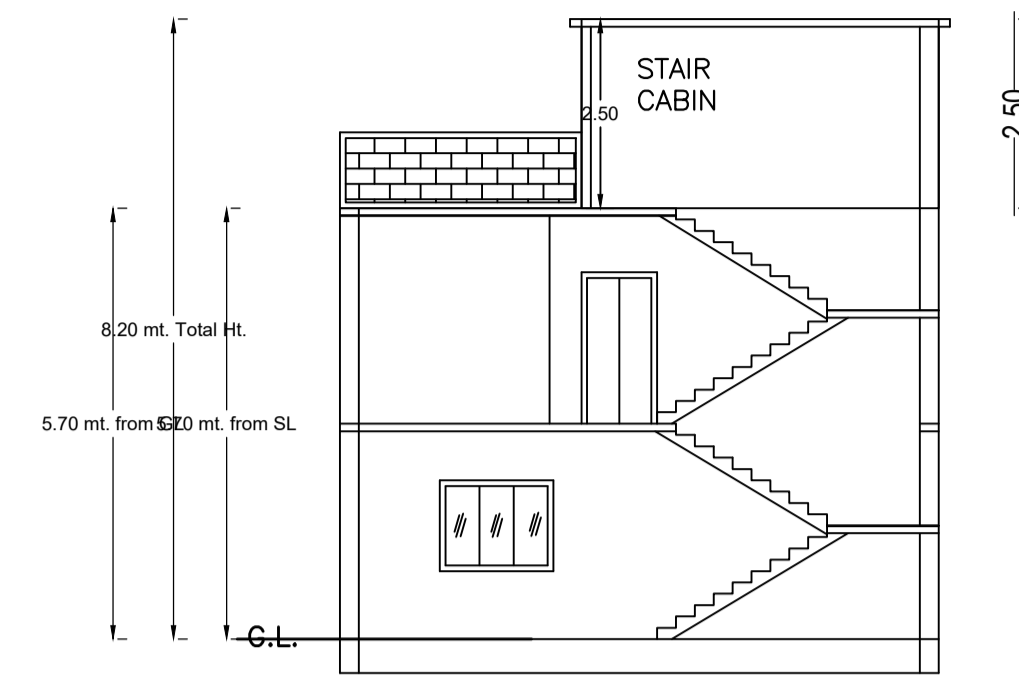
FIRST FLOOR PLAN
(Proposed)
(SCALE 1:100)



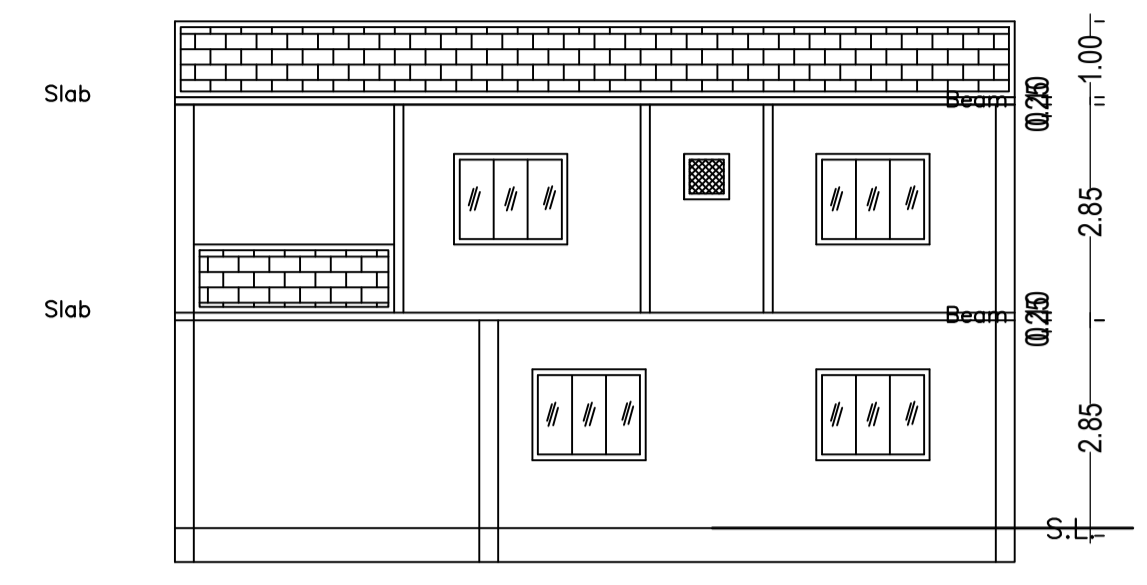
LEFT SIDE ELEVATION



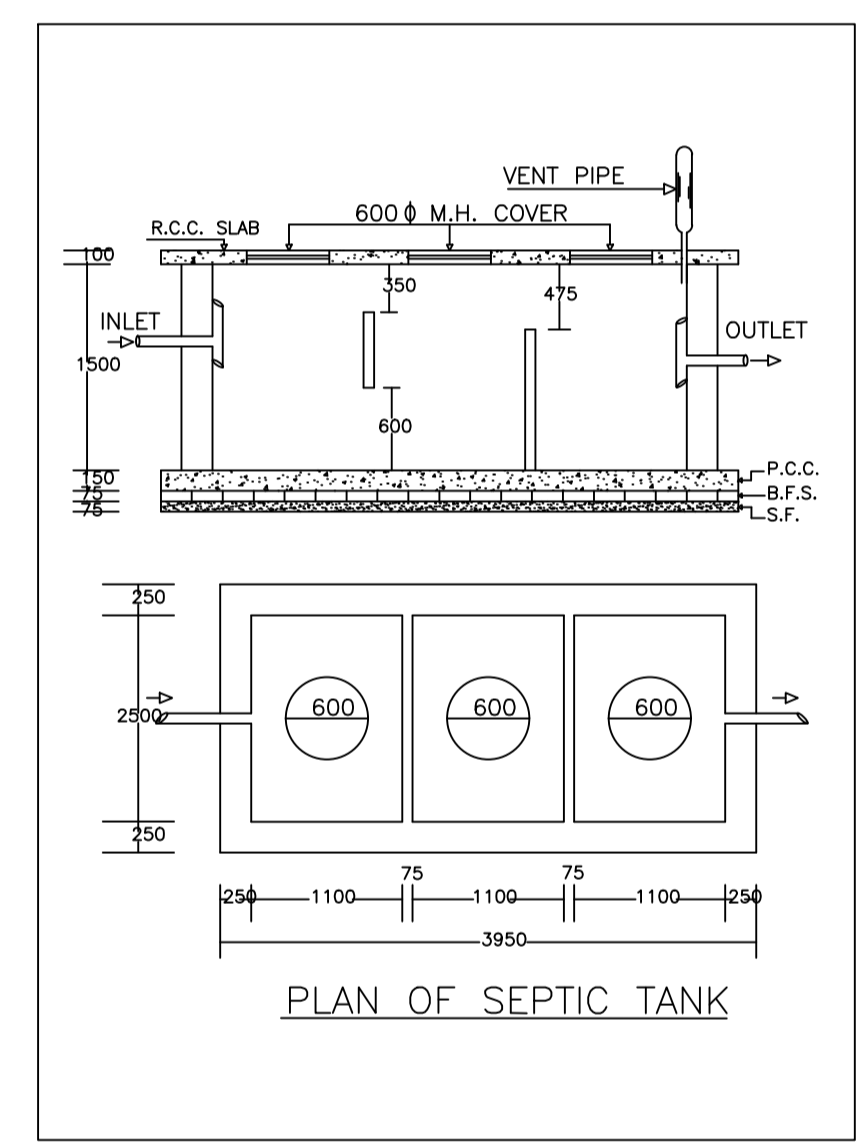
TERRACE FLOOR PLAN
(SCALE 1:100)



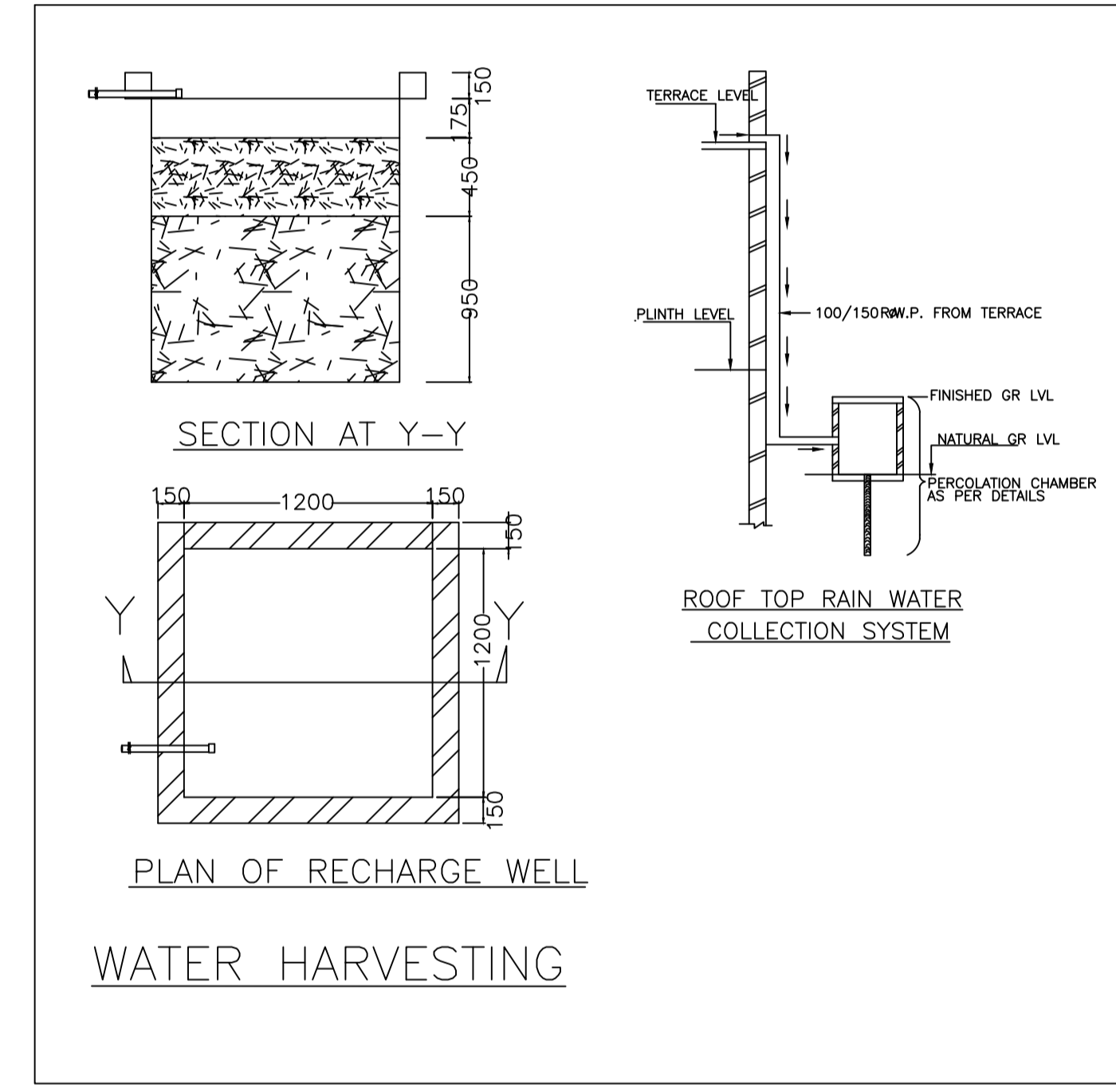
SECTION ON X-X



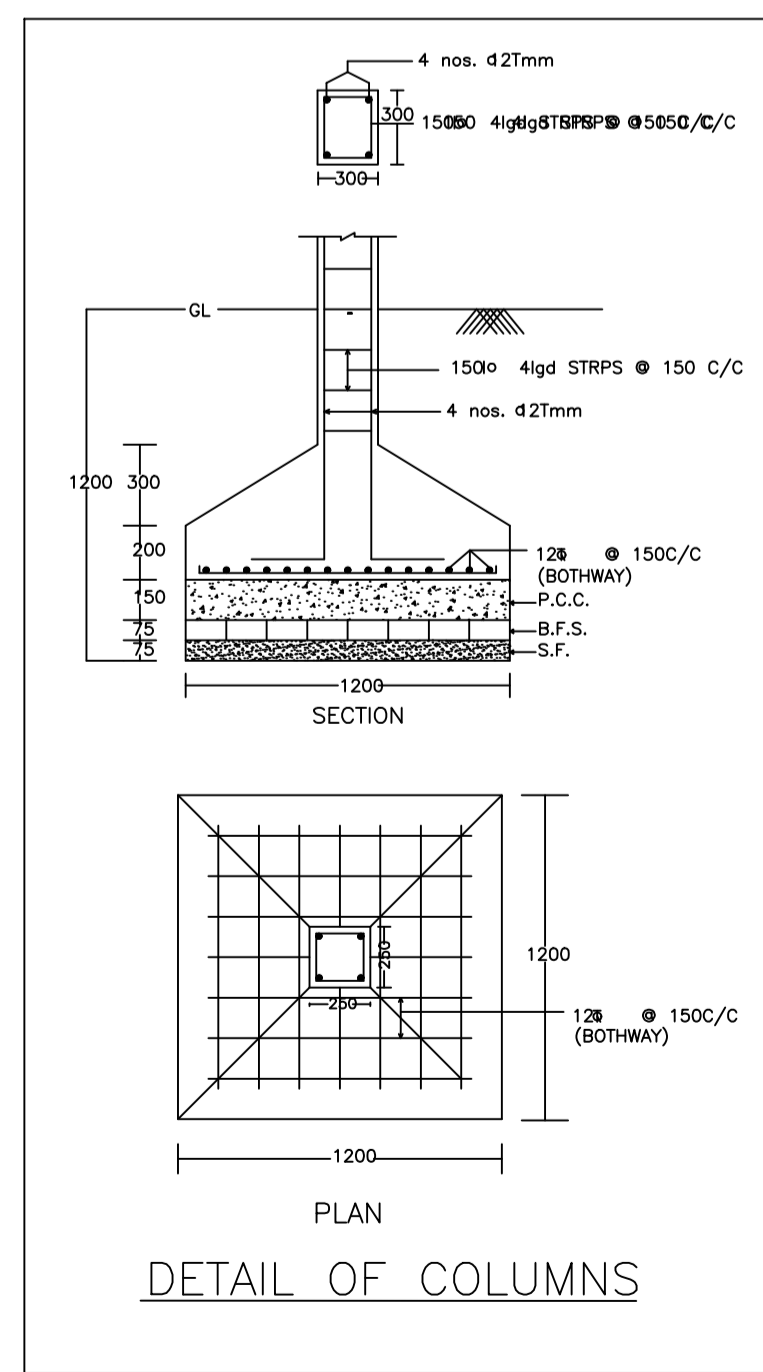
SECTION ON Y-Y



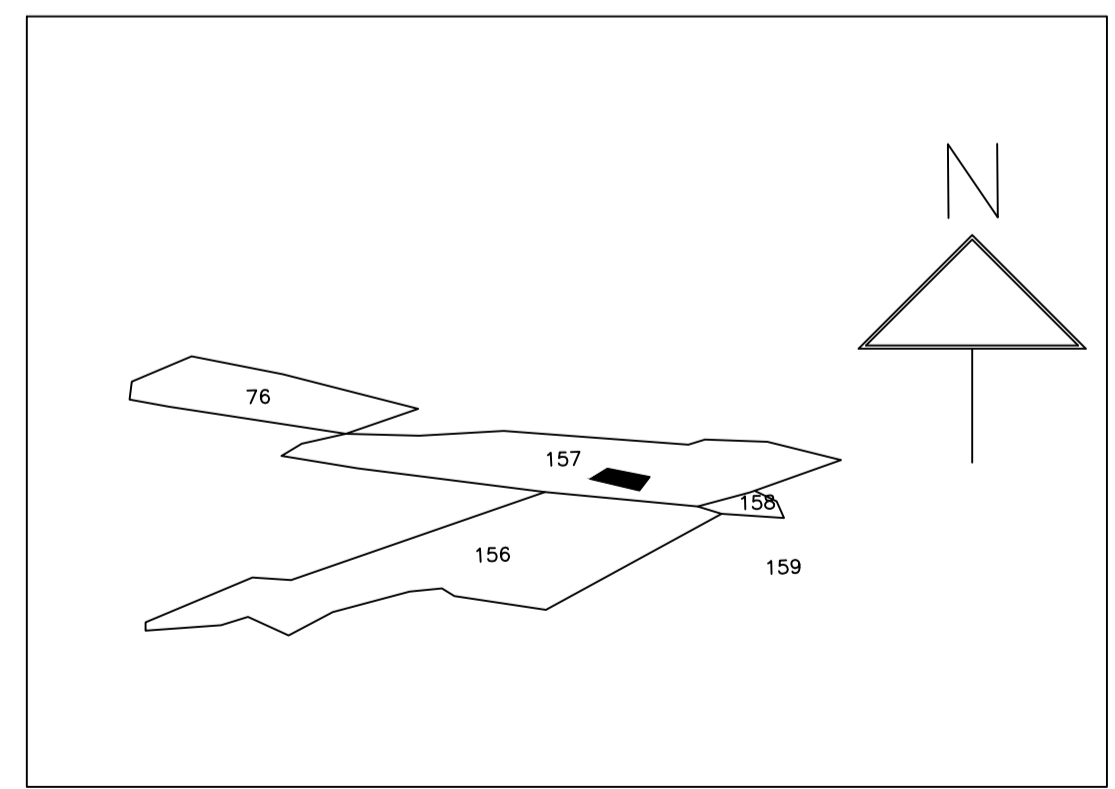
PLAN OF SEPTIC TANK



WATER HARVESTING



DETAIL OF COLUMNS



LTP NAME AND SIGNATURE	STRUCTURAL ENG'S NAME AND SIGNATURE	BUILDER NAME AND SIGNATURE	DIGITAL SIGNATURE
ASHOK KUMAR DMC/ENG/0011/2017			