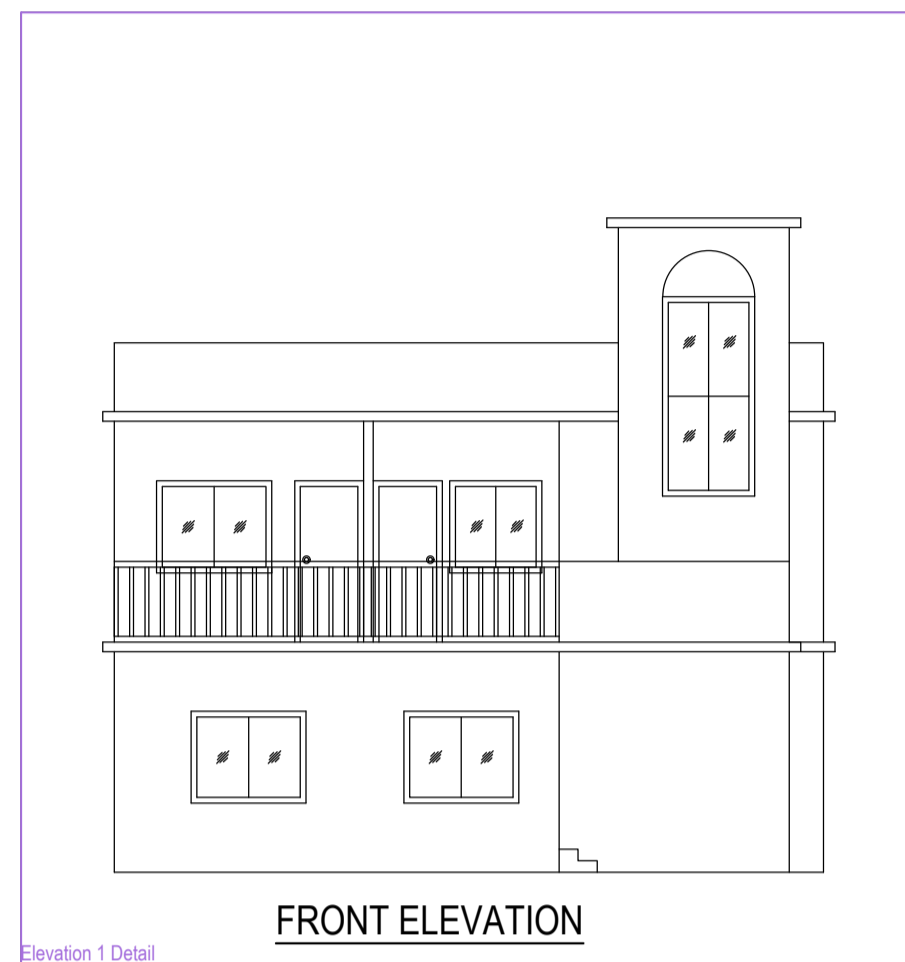
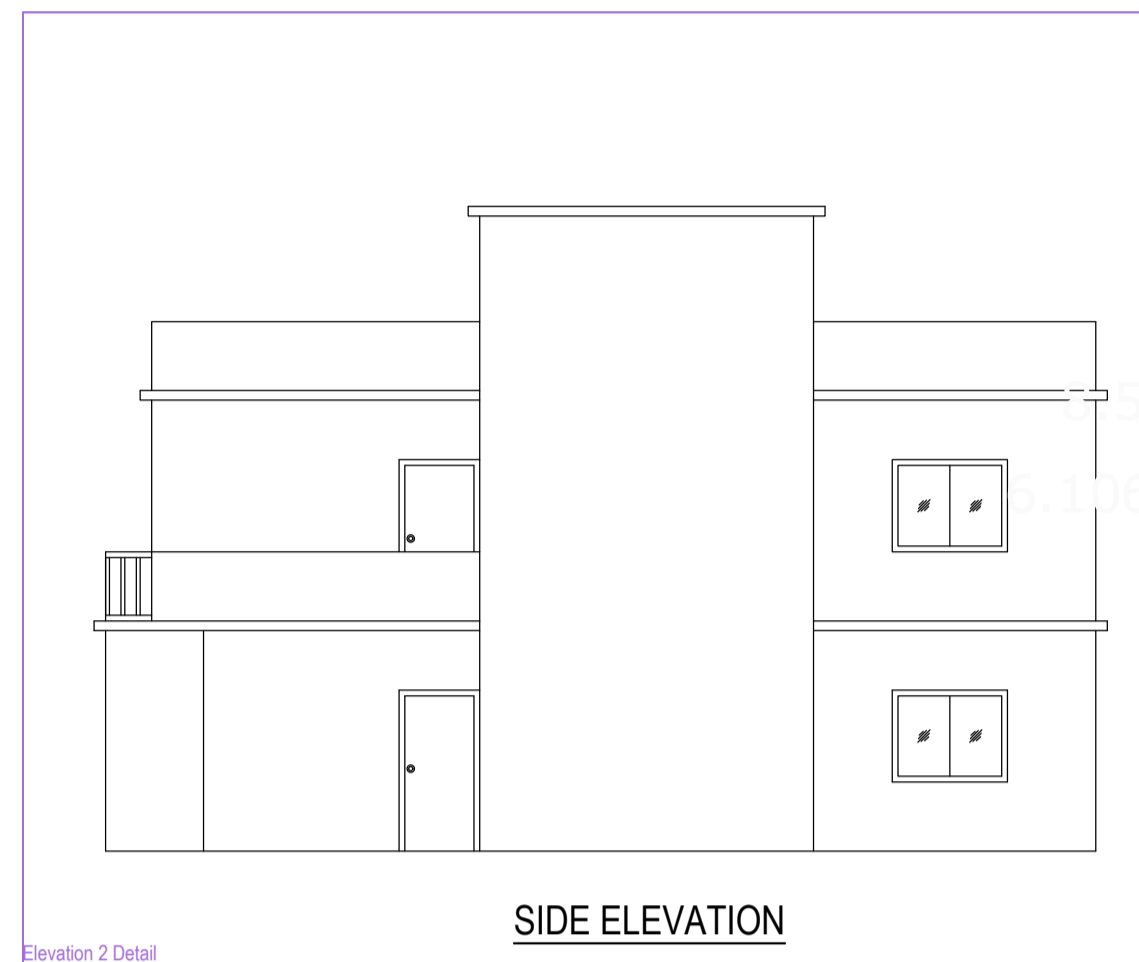


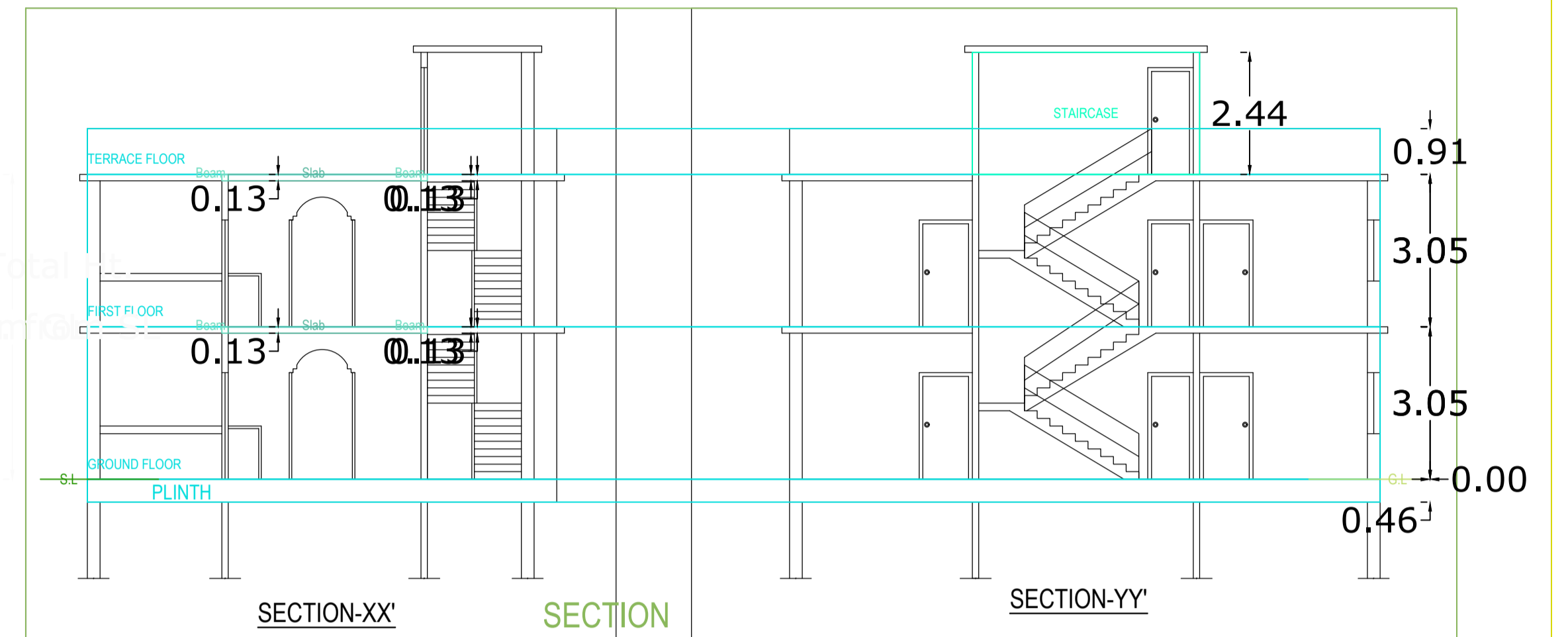
Project Title :MD SAHID AND AMINA KHATOON



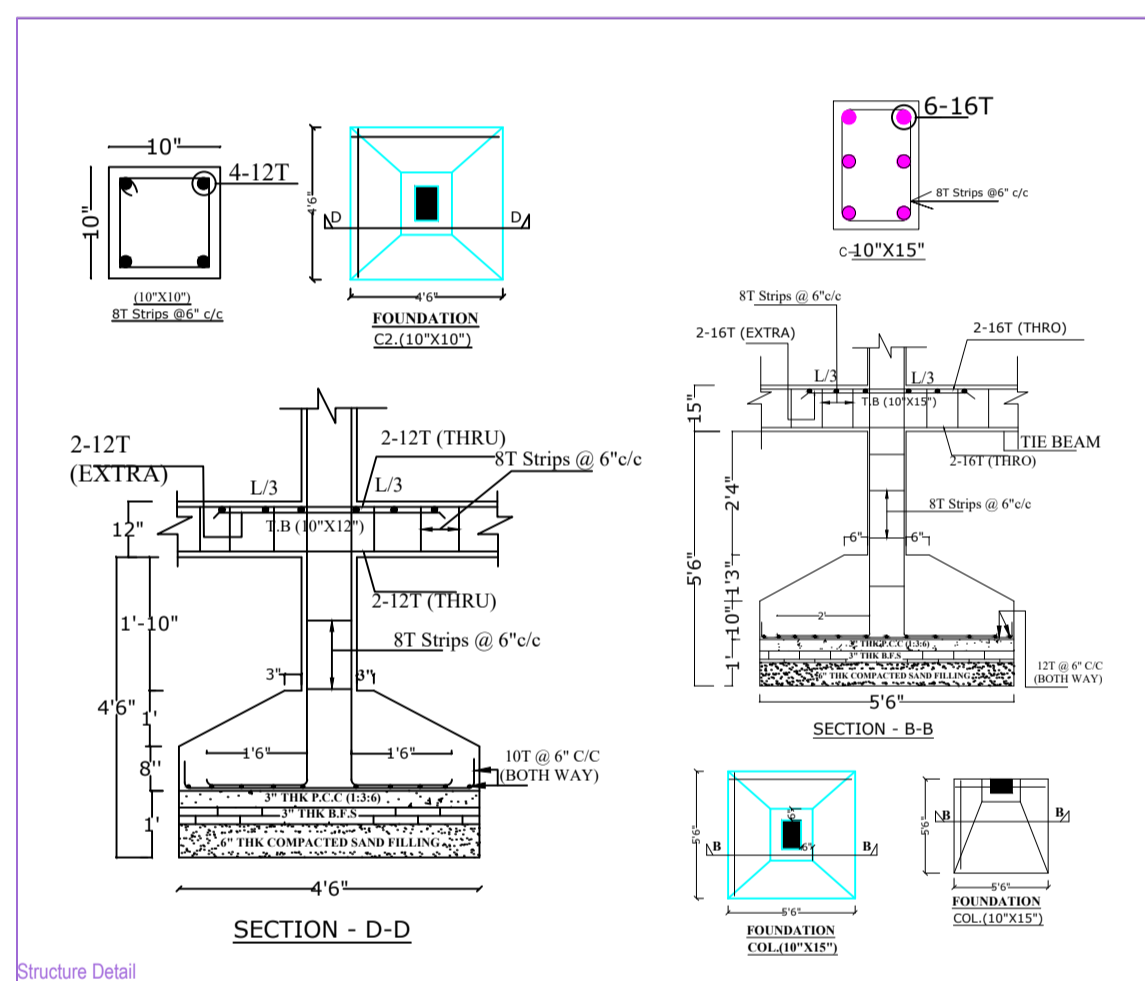
Elevation 1 Detail



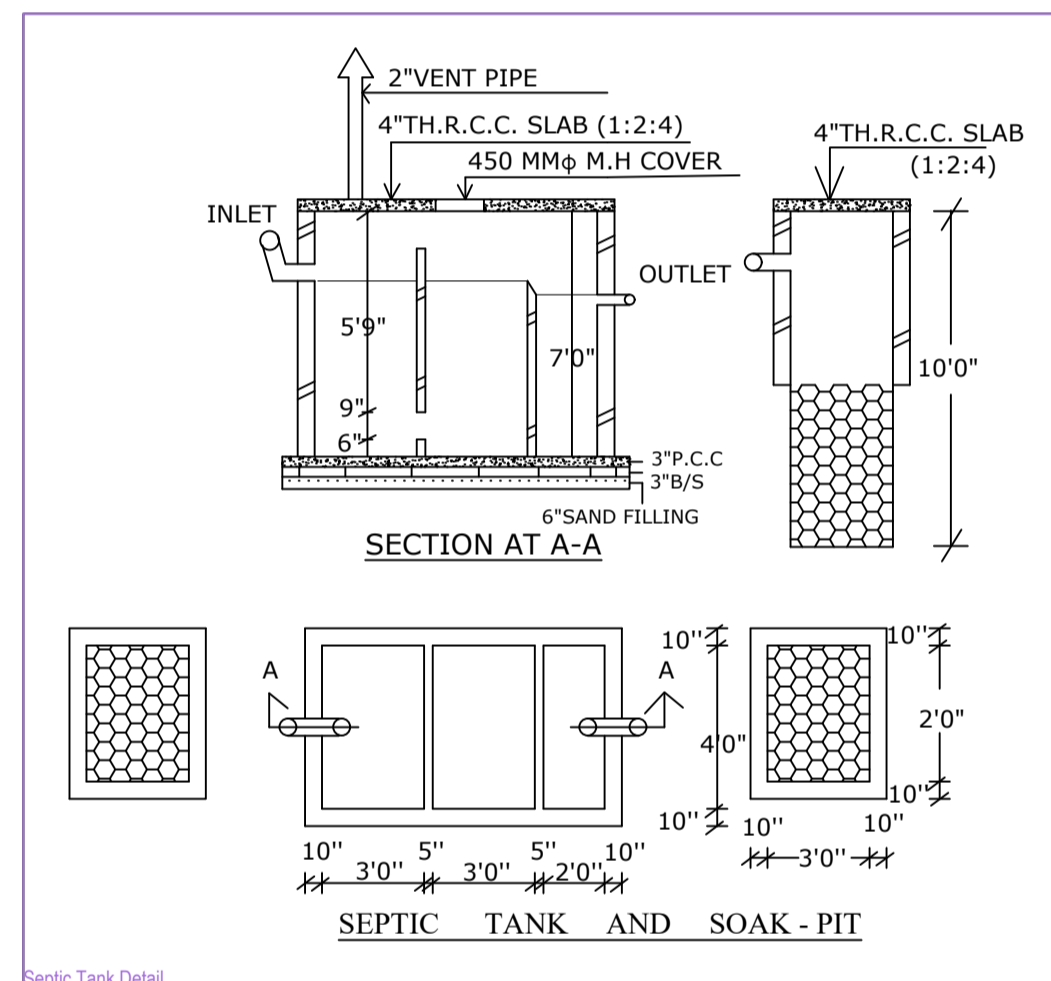
Elevation 2 Detail



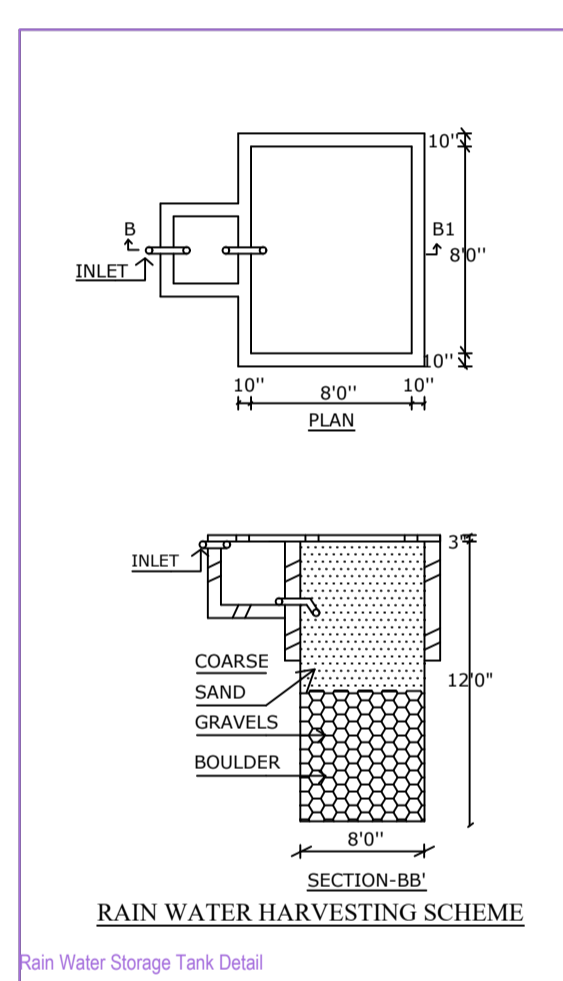
SECTION



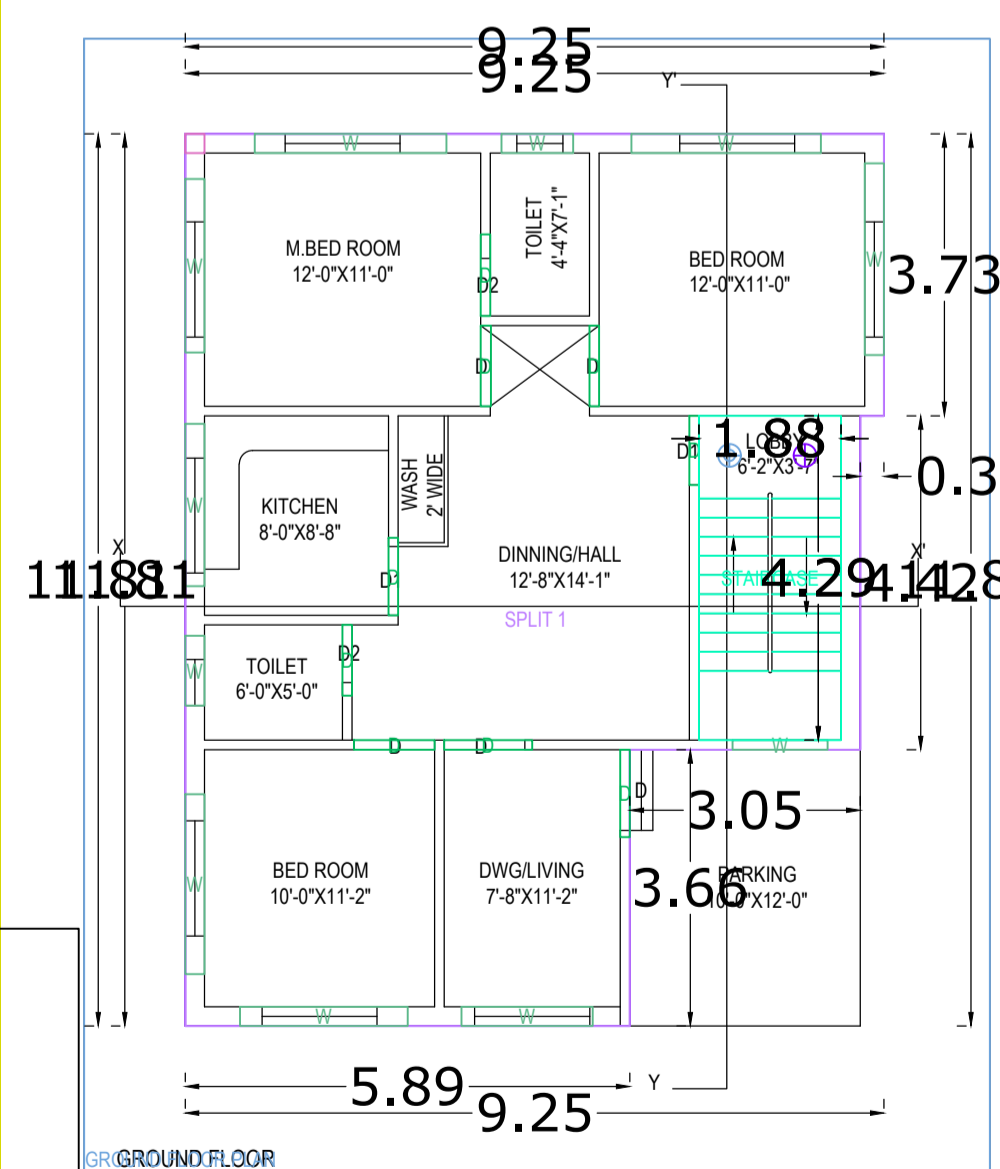
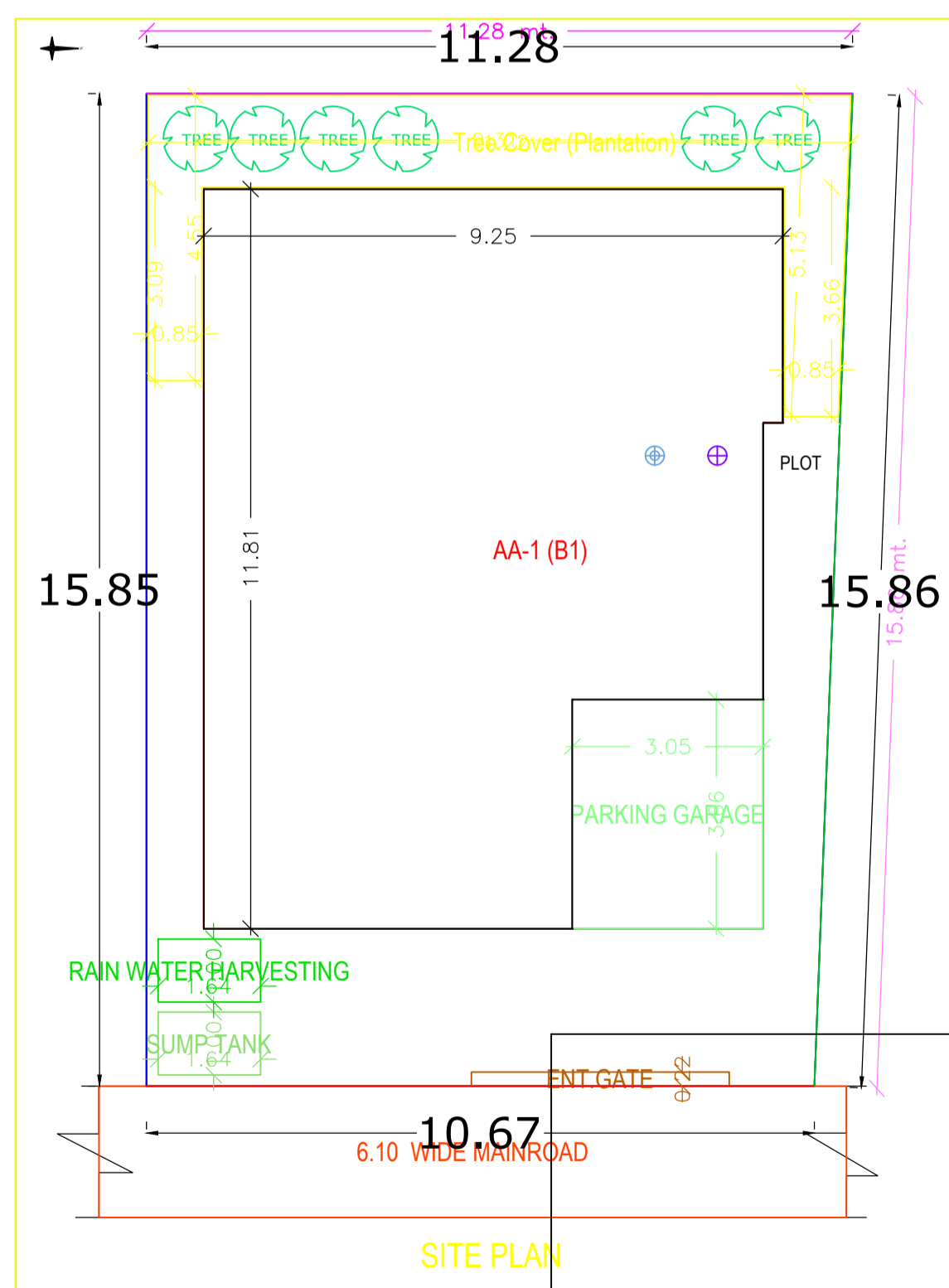
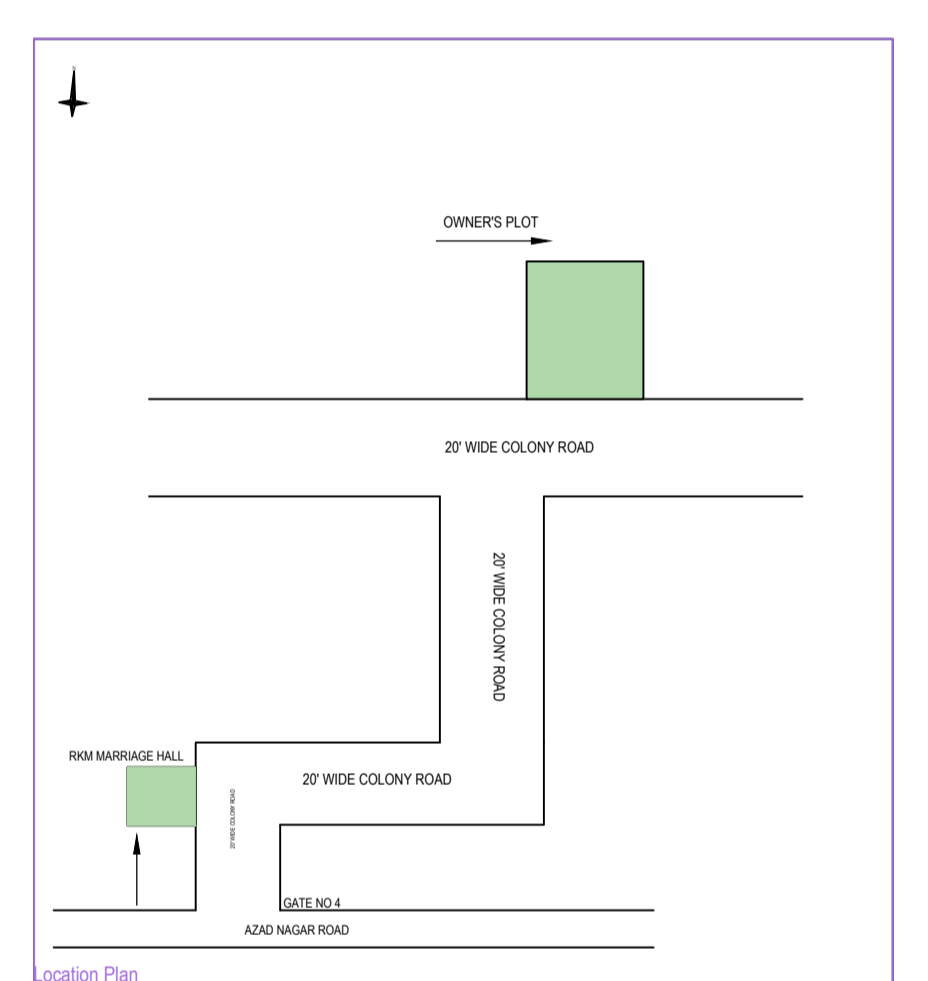
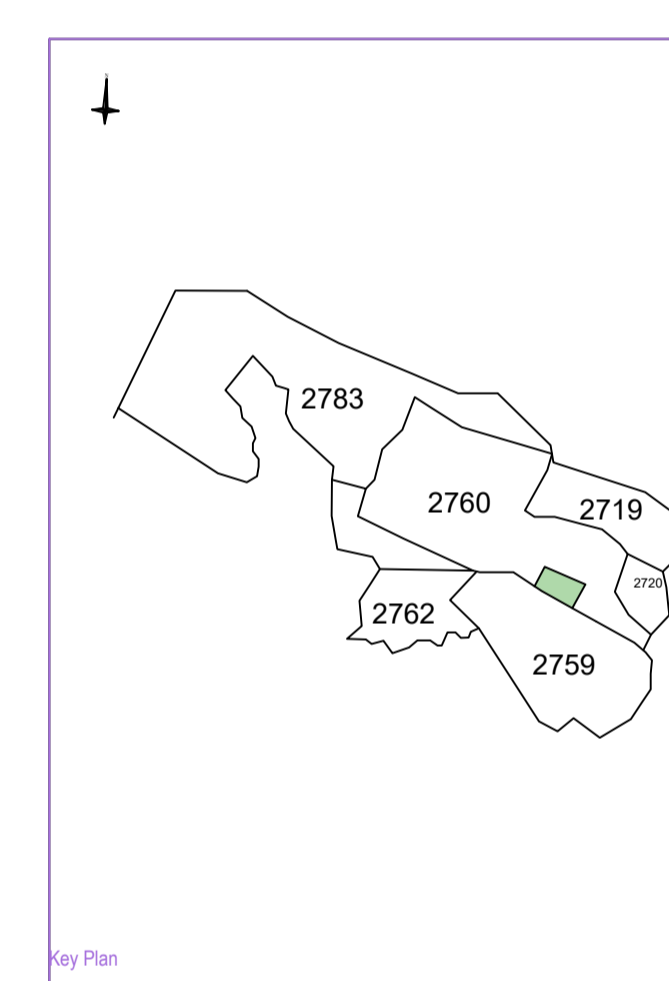
Structure Detail



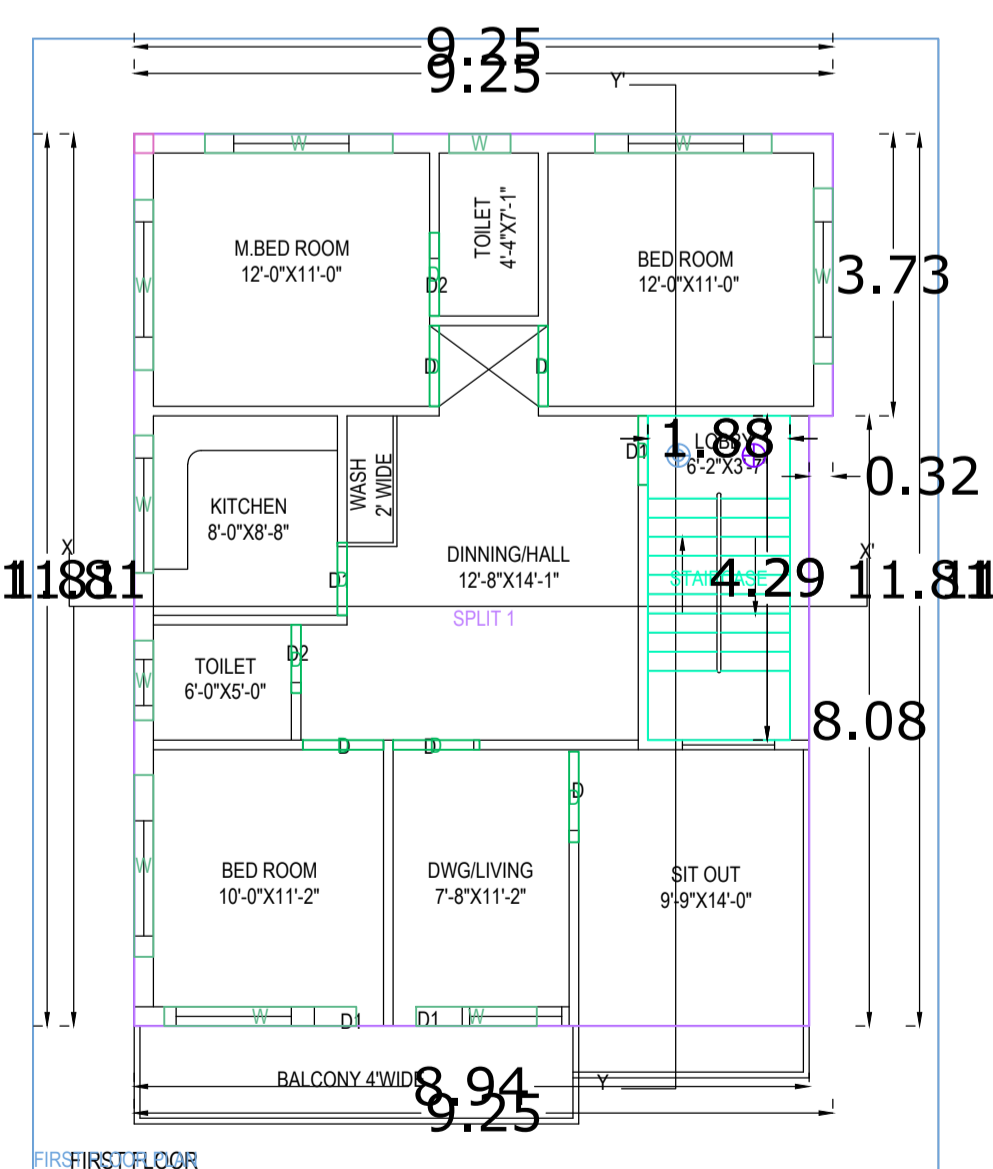
Septic Tank Detail



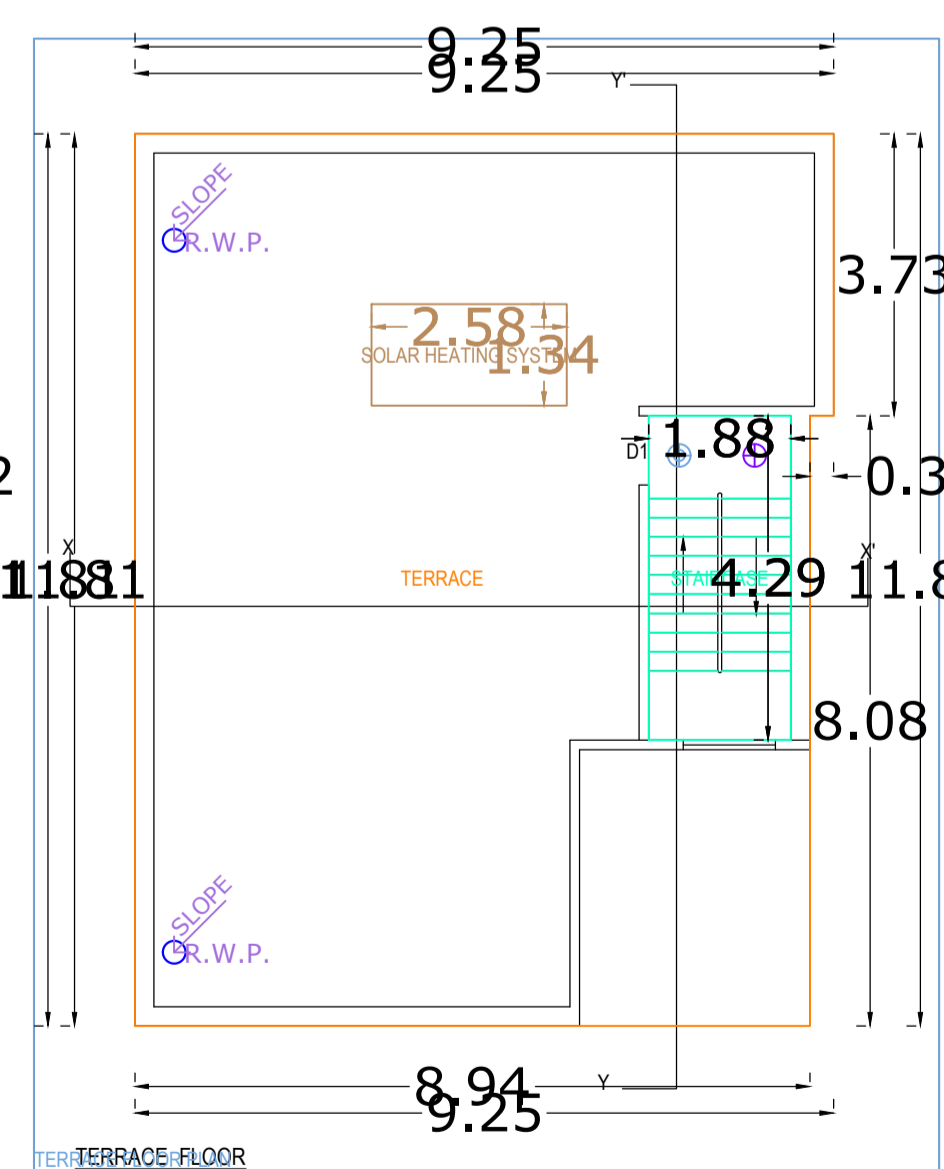
Rain Water Storage Tank Detail



AA (PT)



Building :AA (B1)



**N:- MD JASMINE ANSARI**  
**S:- 3'-0" WIDE NAALA**  
**E:- 20'-0" WIDE PROPOSED ROAD**  
**W:- KHUSNUMA SHAGUFA**

**SCHEDULE OF DOOR & WINDOW**

DOOR	WIDTH	LINTEL	SILL LVL.	SIZE
D	3'6"	7'0"	+00	3'6"X7'0"
D1	3'0"	7'0"	+00	3'0"X7'0"
D2	2'6"	7'0"	+00	2'6"X7'0"
WINDOW	WIDTH	LINTEL	SILL LVL.	SIZE
W	5'0"	4'6"	2'6"	5'0"X4'6"
W1	3'0"	4'6"	2'6"	3'0"X4'6"
V	2'0"	5'6"	1'6"	2'0"X1'6"