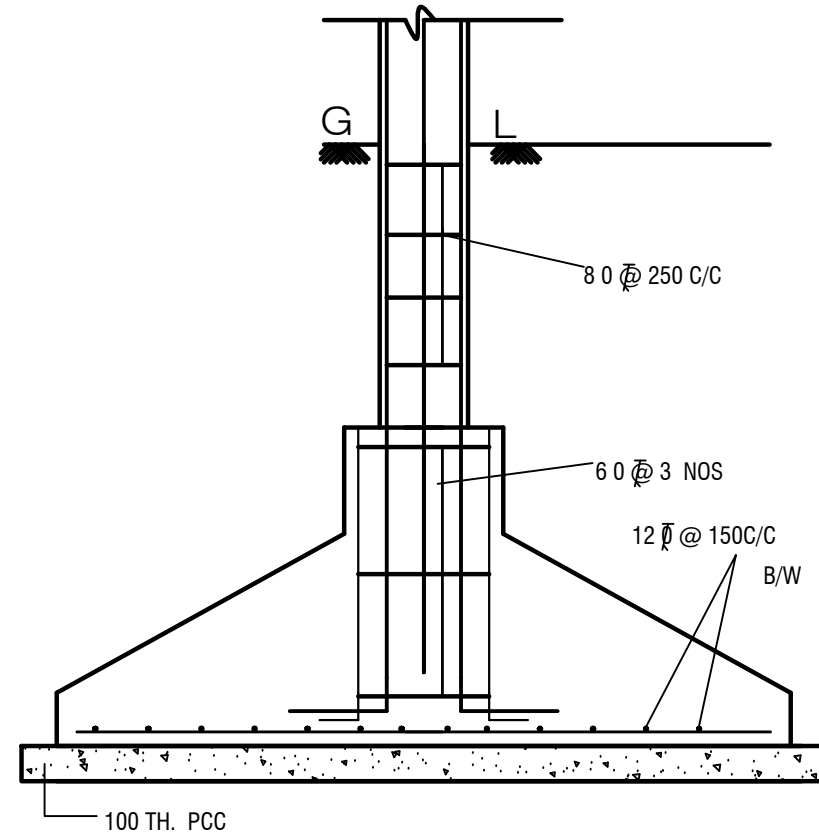


AREA STATEMENT



TYPICAL COLUMN FONDATION

SCALE =1:25