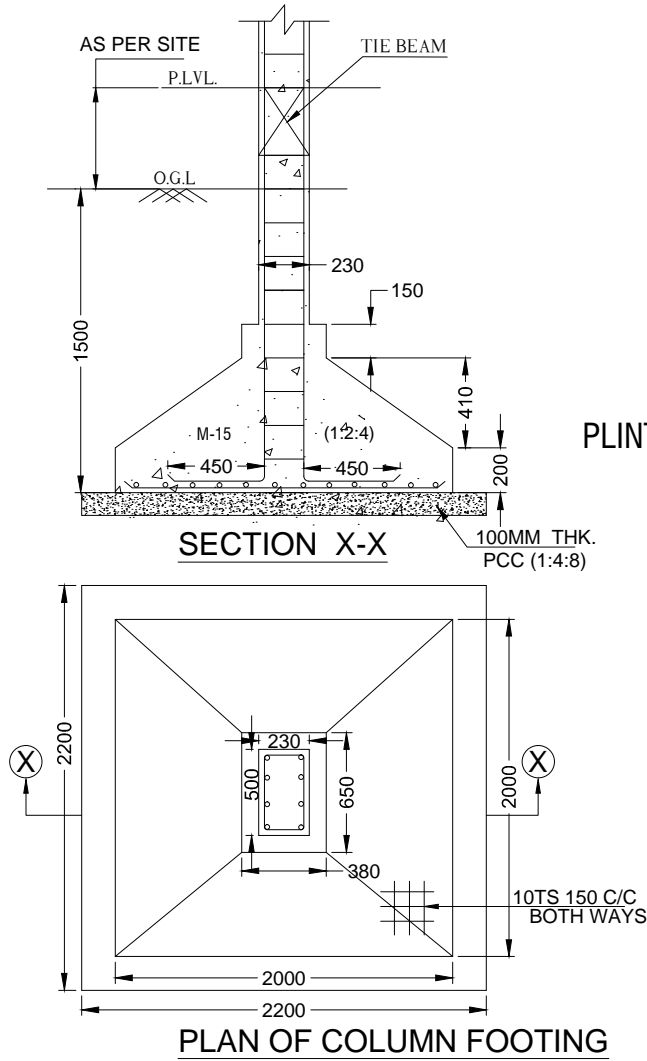
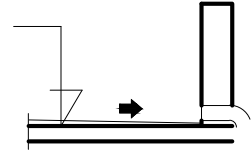
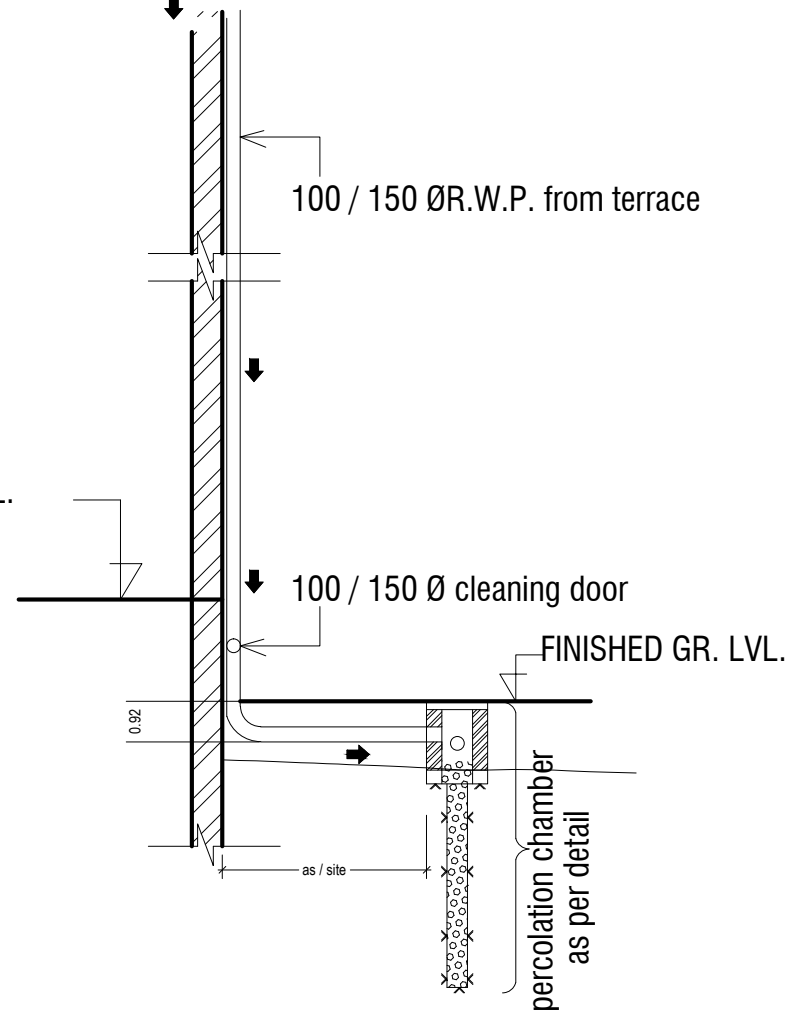


TERRACE LVL.



PLINTH LVL.



ROOF TOP RAIN WATER COLLECTION SYSTEM