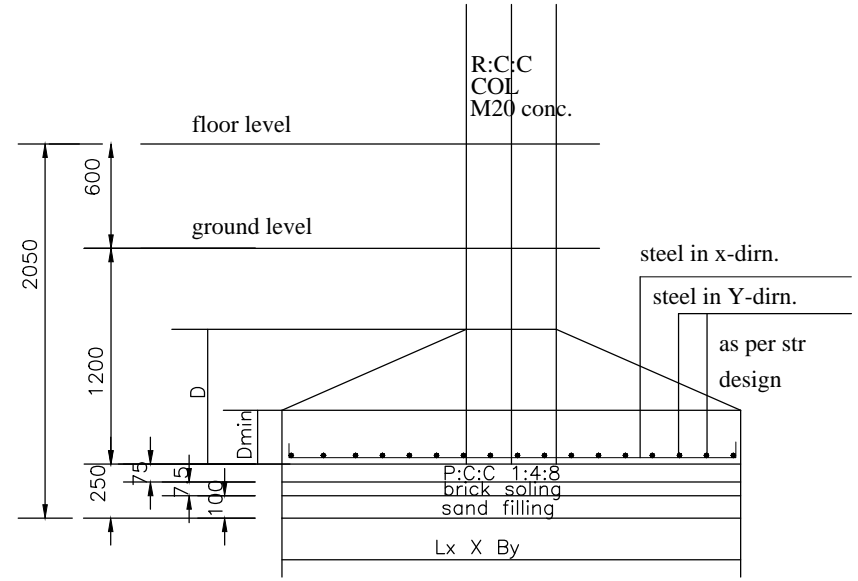


Plan (scale 1:50)



Section (scale 1:50)
Design of Column
Foundation

Foundation Detail