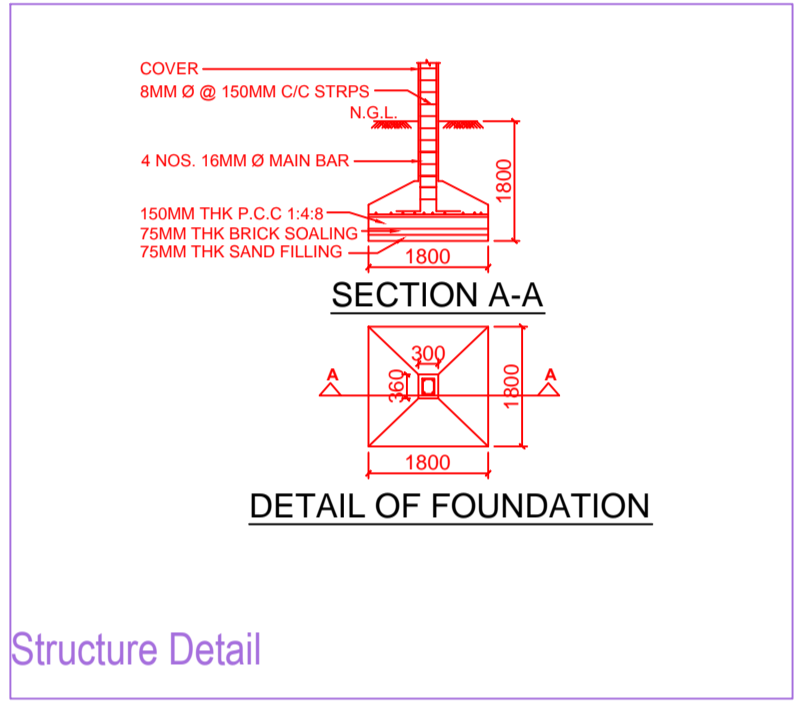
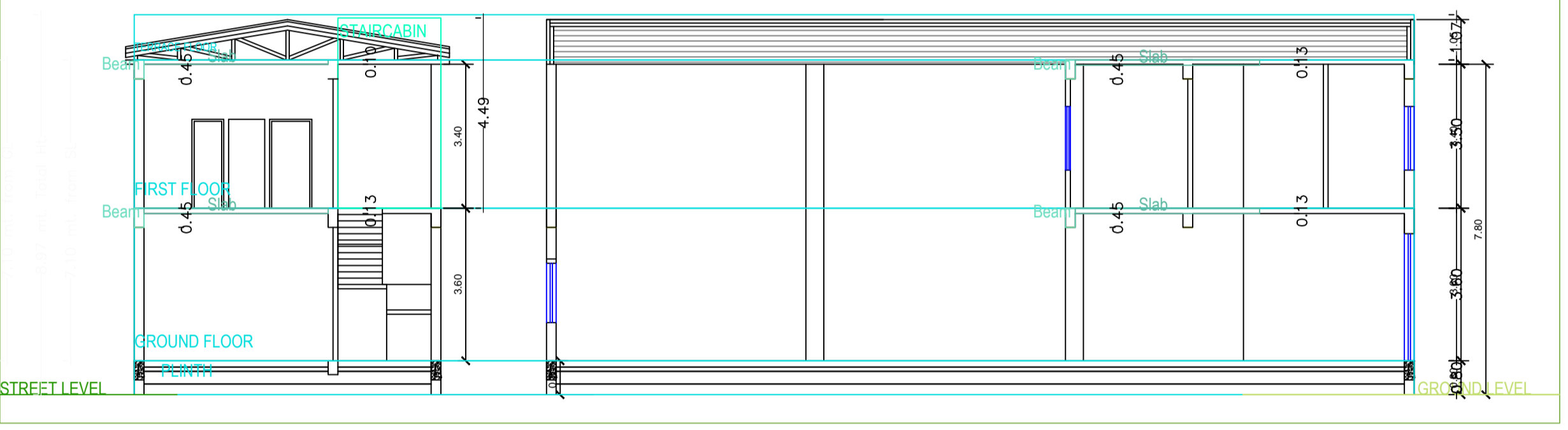


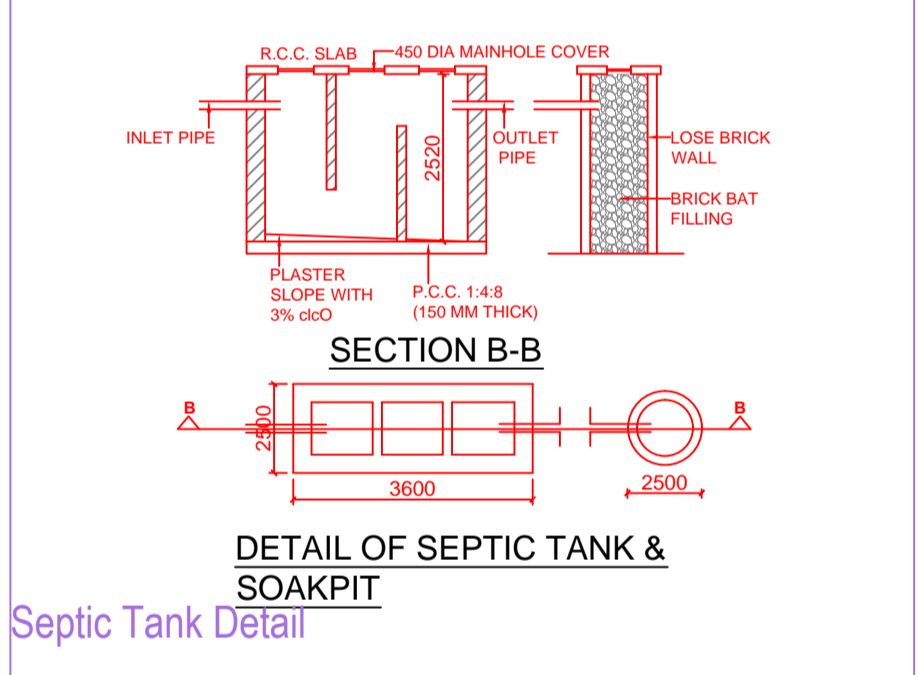
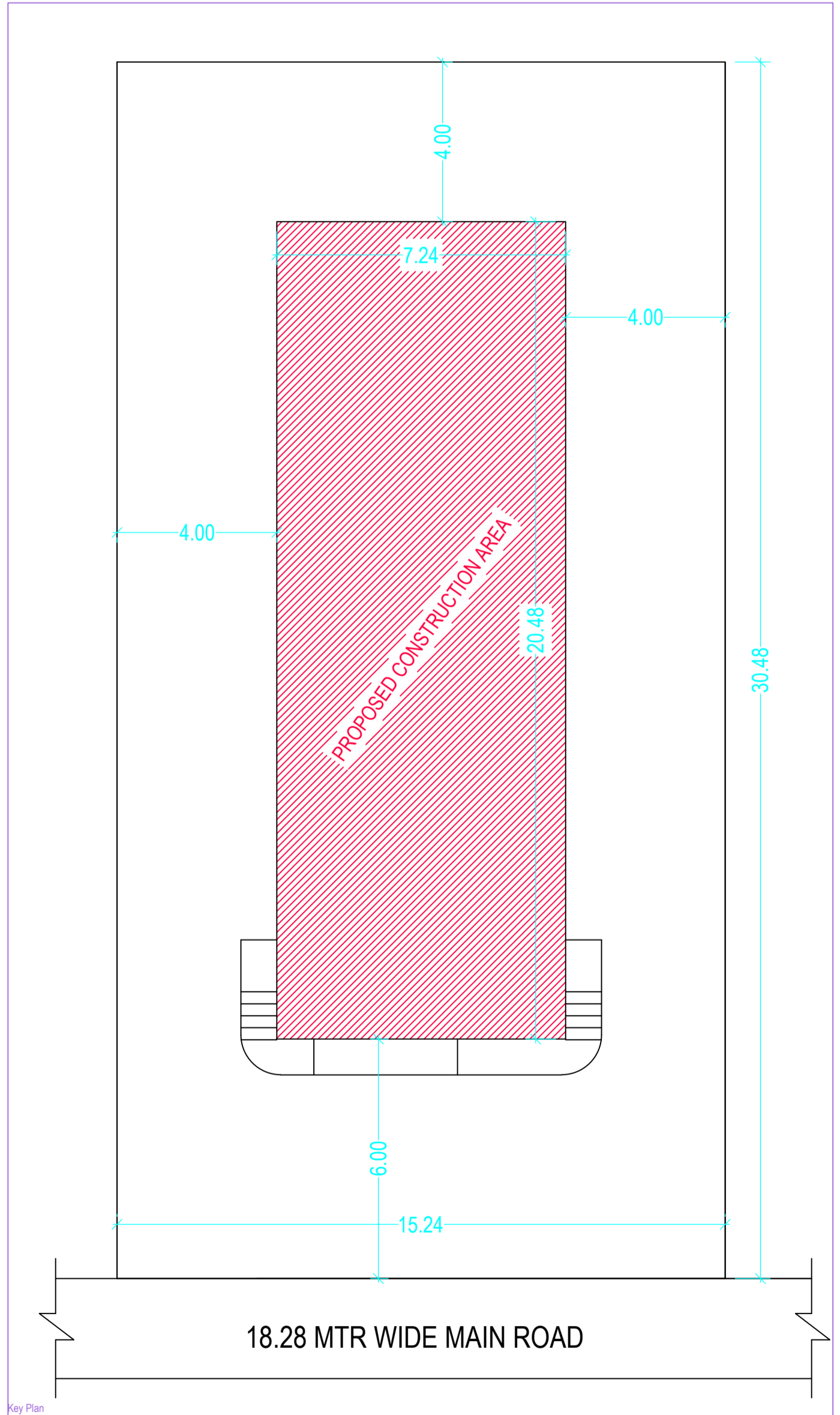
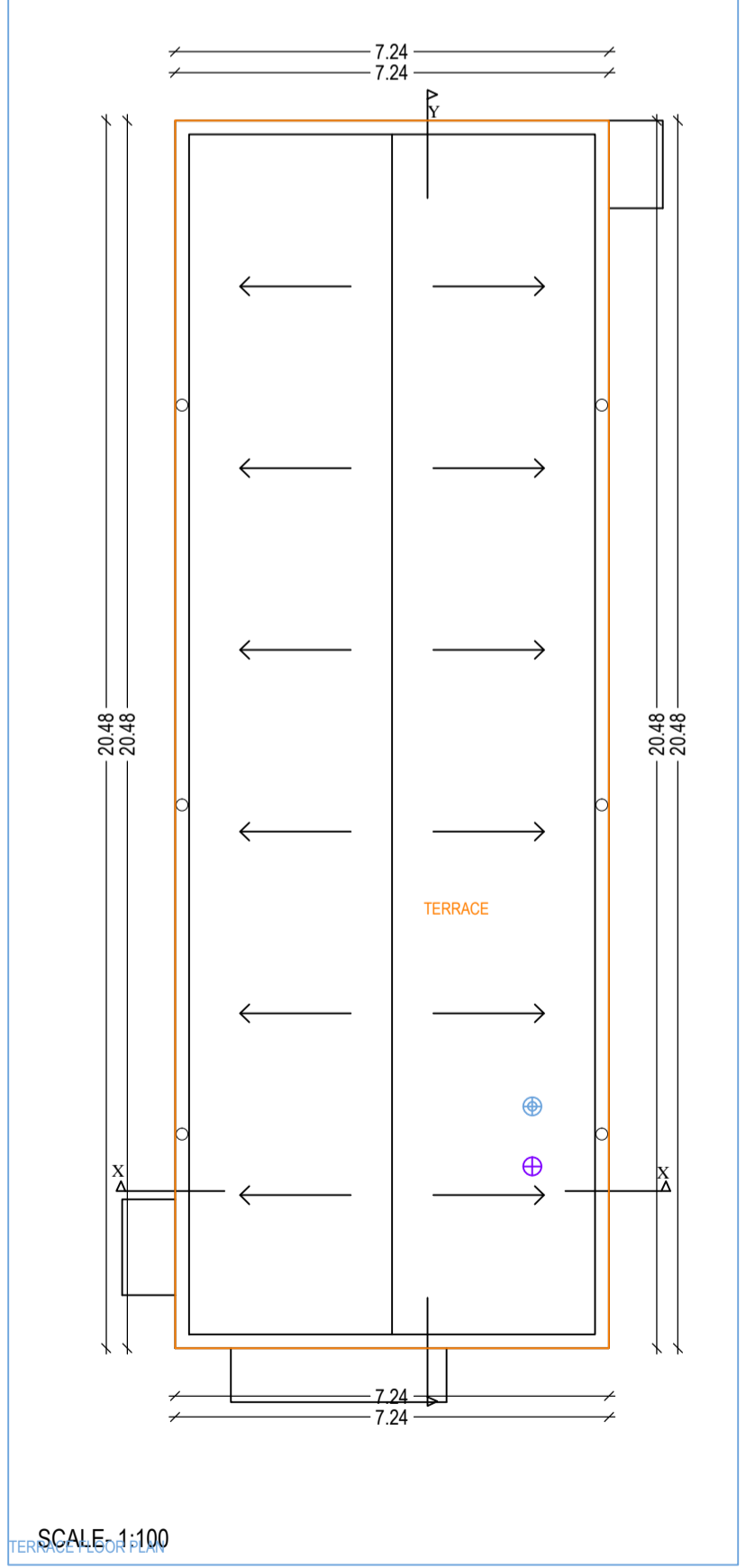
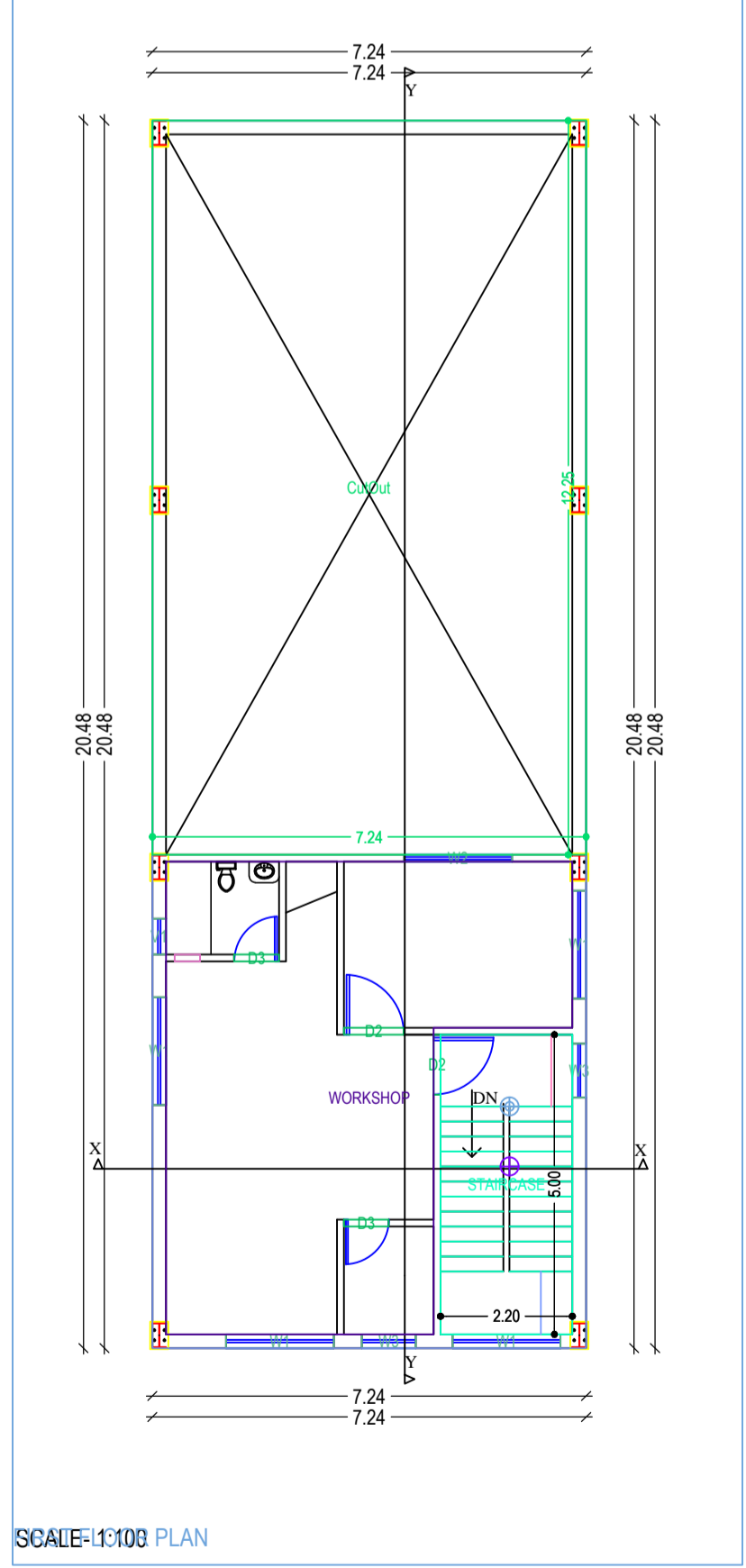
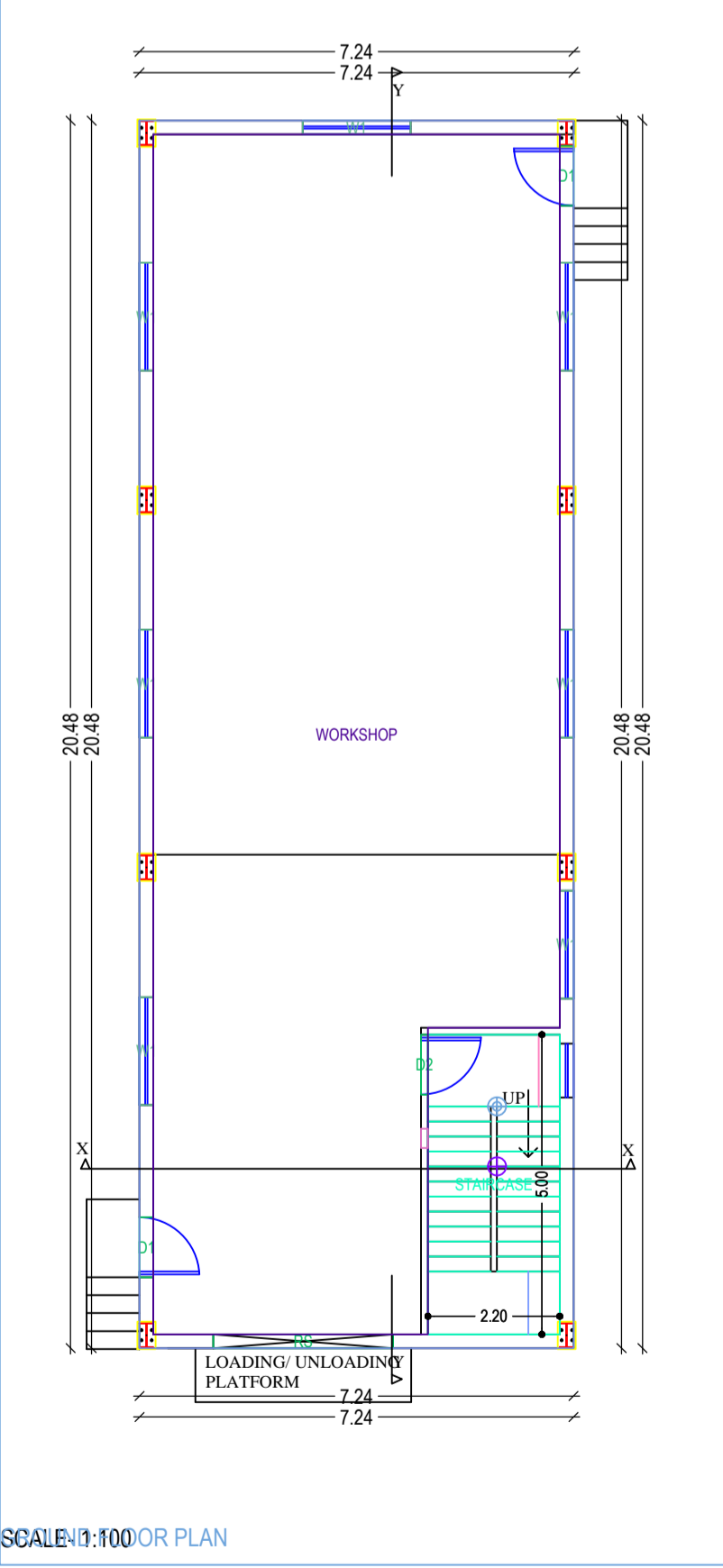
STRUCTURE STABILITY CERTIFICATE
 THIS IS TO CERTIFY THAT SEISMIC LOADS HAVE BEEN TAKEN UNDER CONSIDERATION WHILE DESIGNING THE STRUCTURE OF THIS BUILDING

THE DESIGN HAS BEEN DONE AS PER IS 1893/1994 & IS 4326/1993.

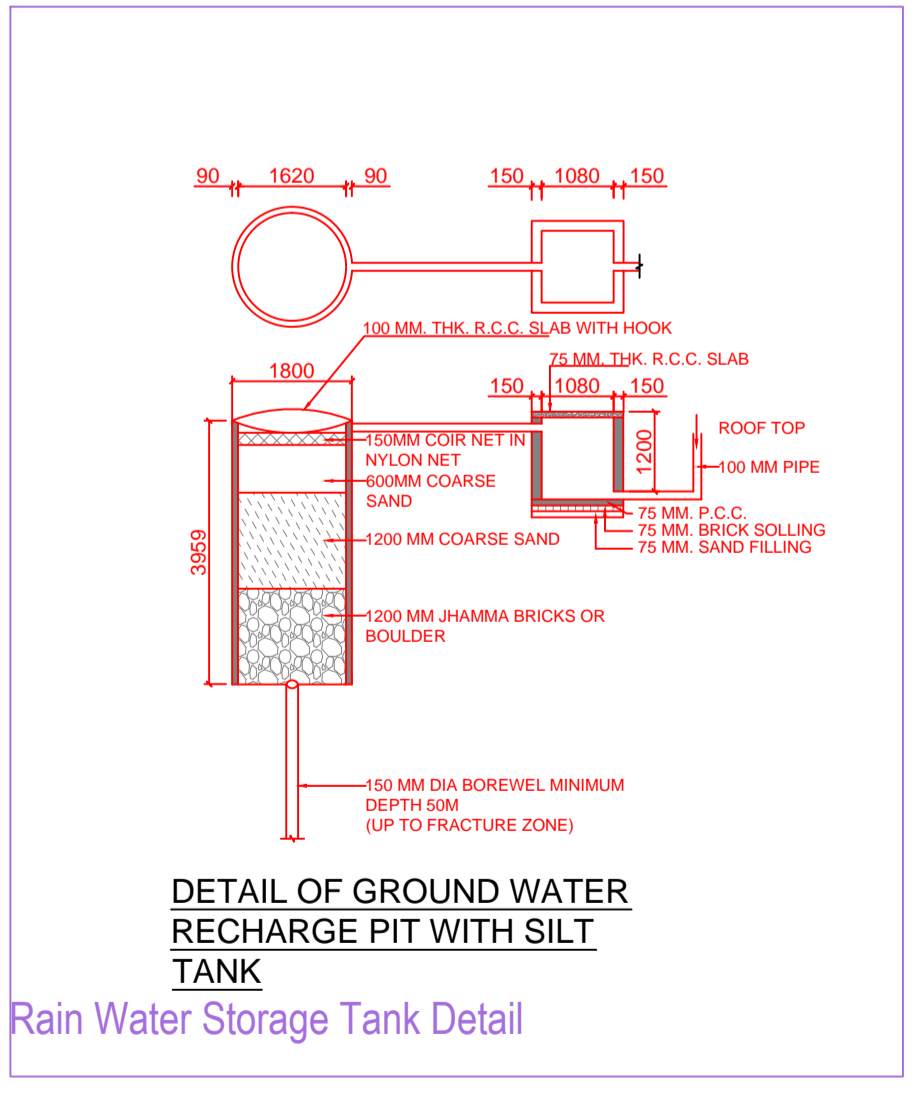
SECTION



Structure Detail



Septic Tank Detail



Rain Water Storage Tank Detail

LAND DETAILS

PROPOSED INDUSTRIAL BUILDING PLAN OF M/S G I T M AGRO
PROPRIETOR :- SRI UMESH KUMAR PANDEY
INDUSTRIAL AREA:- JASIDIH PHASE-1
INDUSTRIAL PLOT NO :- A-28
SURVEY PLOT NO :- 148
KHATA NO :- 32
MOUZA :- GANGTI, THANA :- JASIDIH,
THANA NO :- 209
DISTRICT :- DEOGHAR, STATE:- JHARKHAND

Applicant's Signature.	SIGNATURE OF LIC. ENGINEER