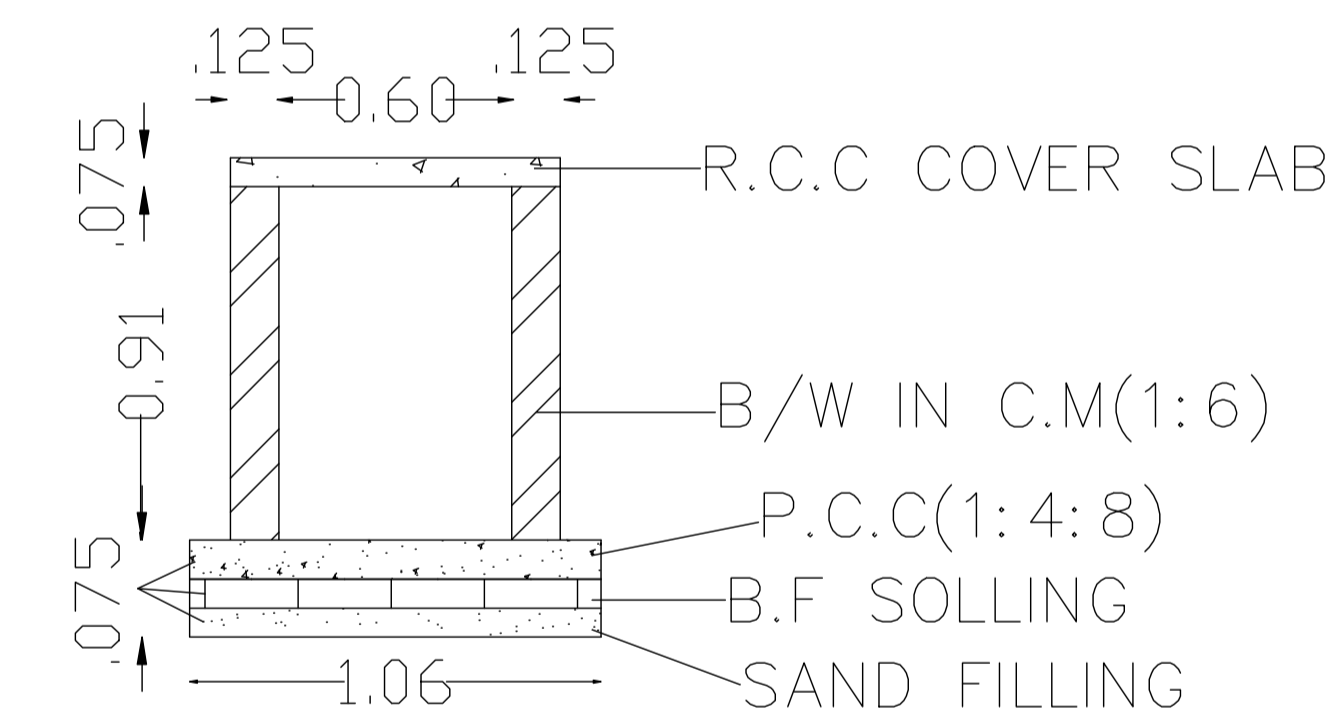
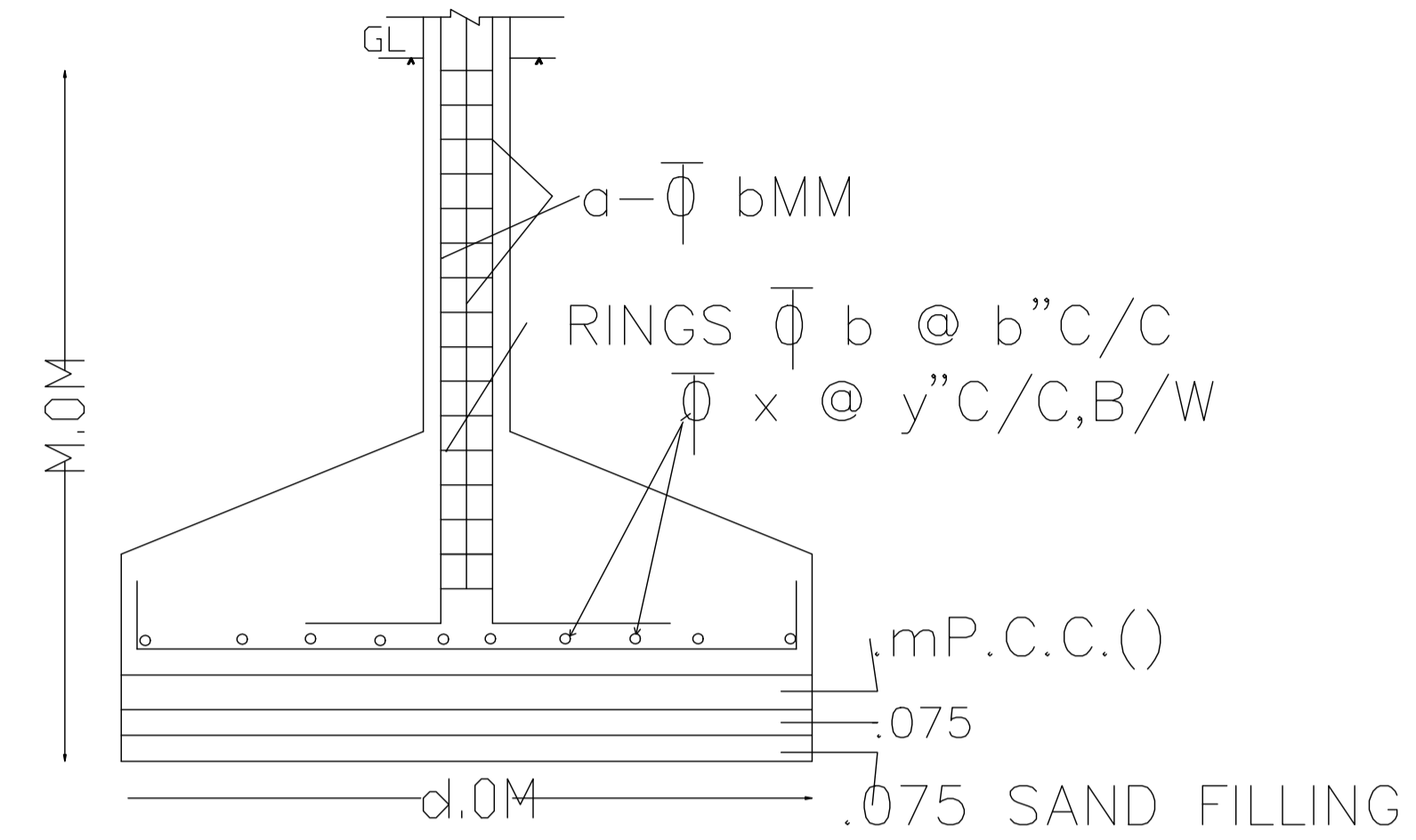


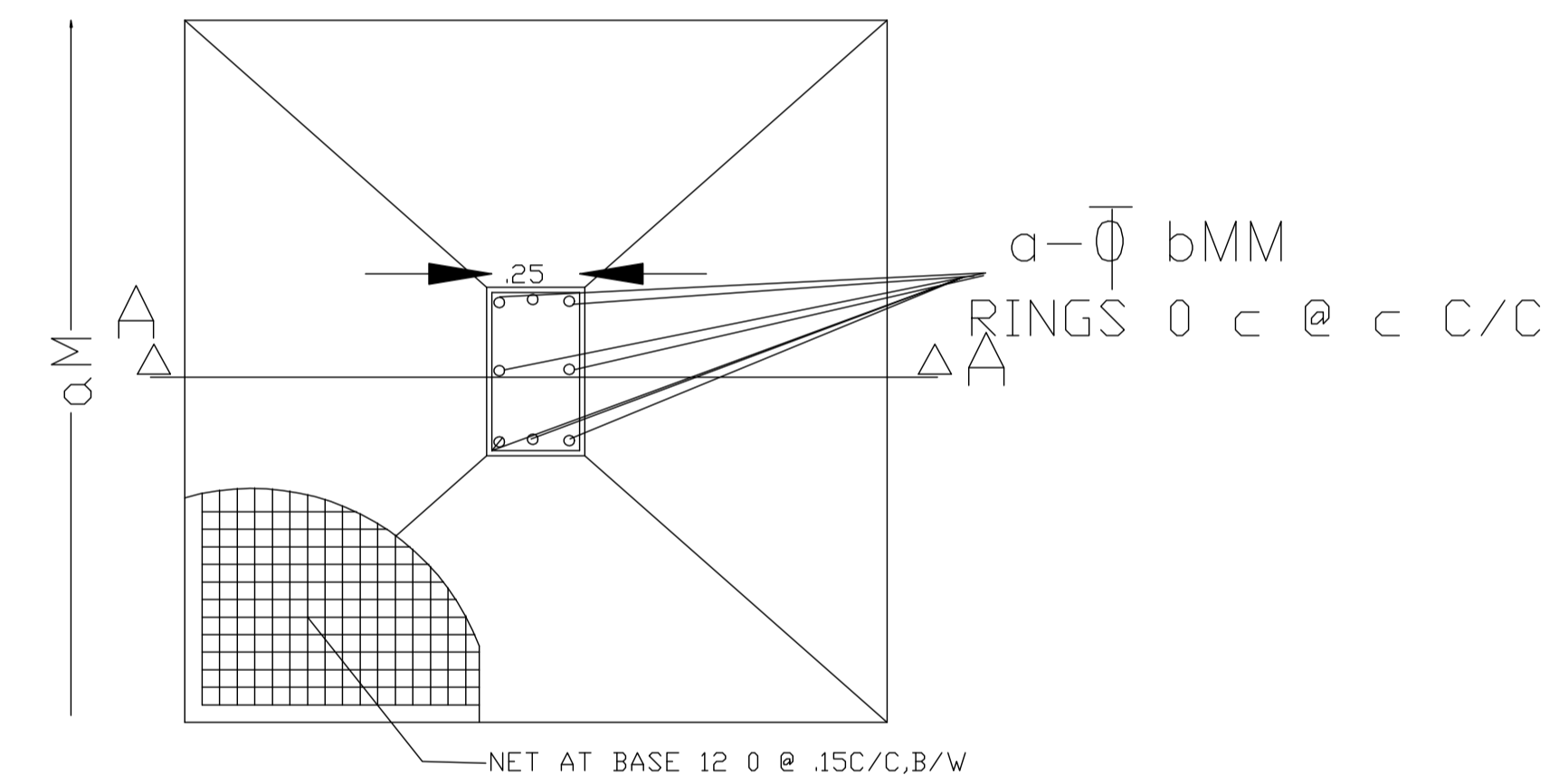
SPECIFICATION OF DRAIN	
1.	FOUNDATION.
2.	SAND FILLING.
3.	BRICK SOLLING.
4.	P.C.C (1: 4: 8).
5.	B/W IN C.M (1:6)..
6.	R.C.C (1:1.5: 3) COVER SLAB.



SECTION OF DRAIN
SLOPE OF DRAIN=1:200



SECTION ON A-A
SCALE= 1:50



PLAN OF COLUMN FOUNDATION
NTS

Structure Detail