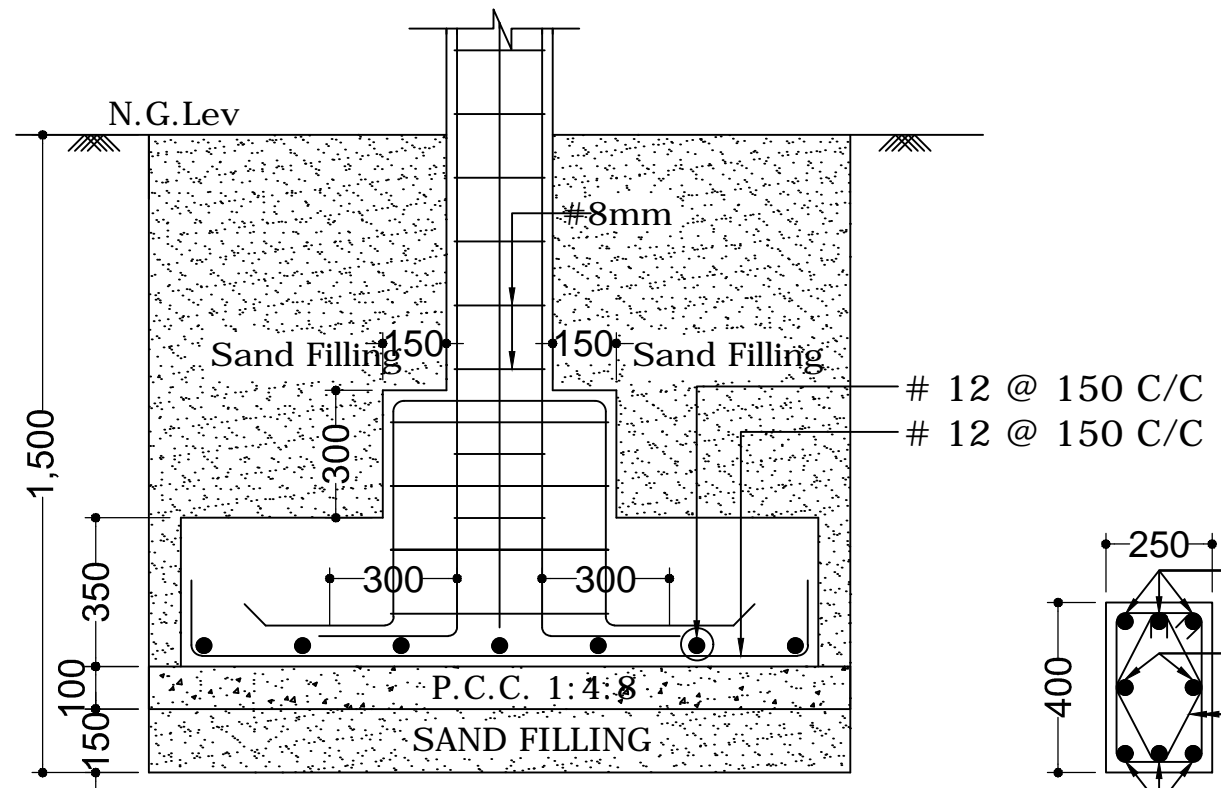
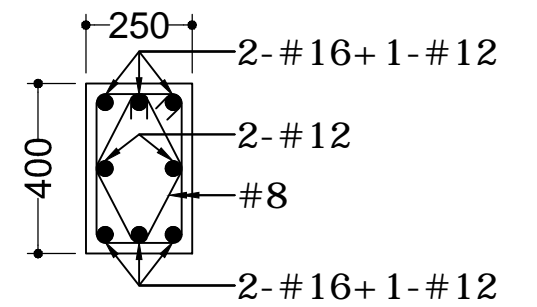


**DETAIL PLAN OF TYPICAL FOOTING**



**SECTION A-A**



**DETAIL OF COLUMN**