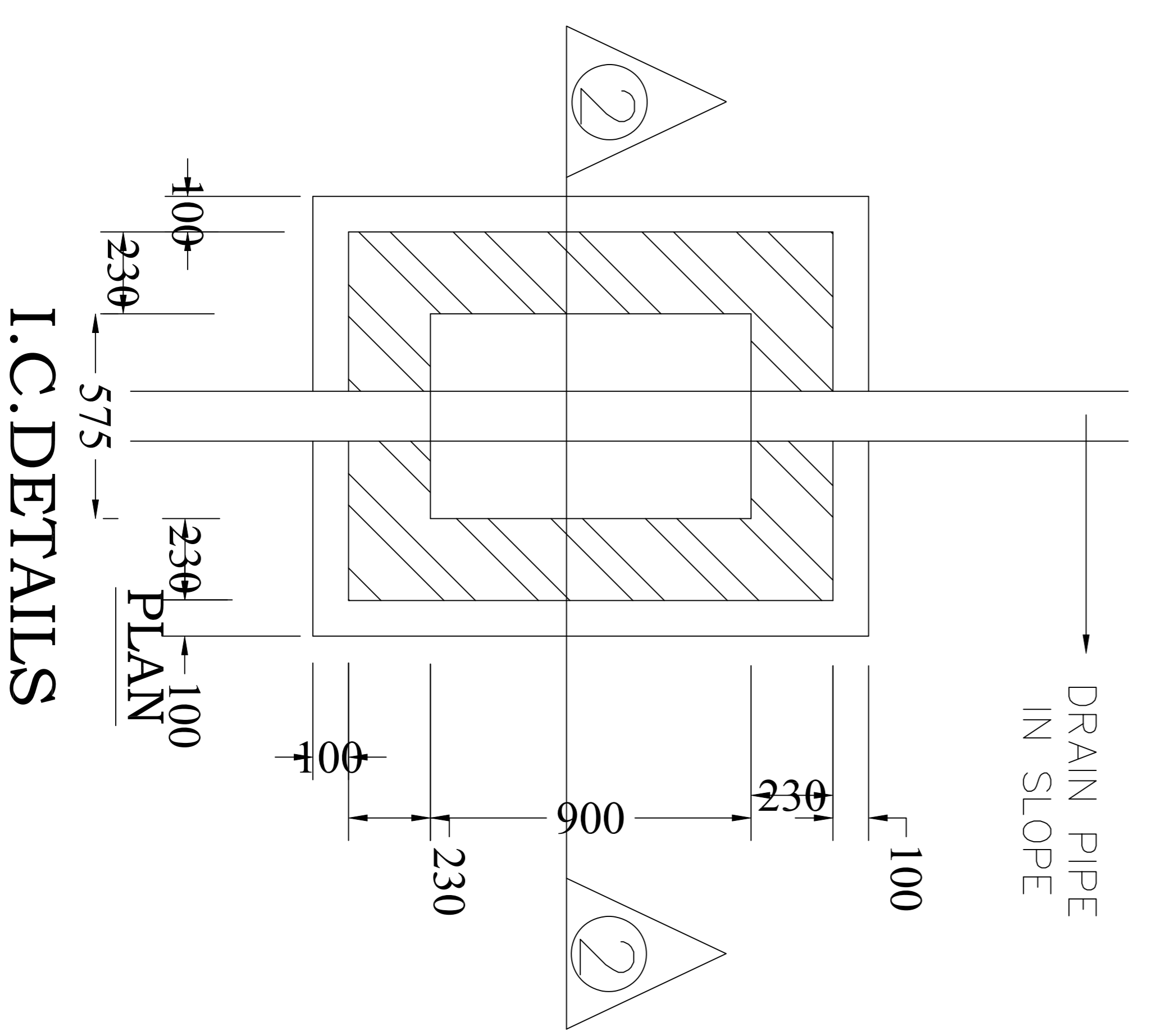
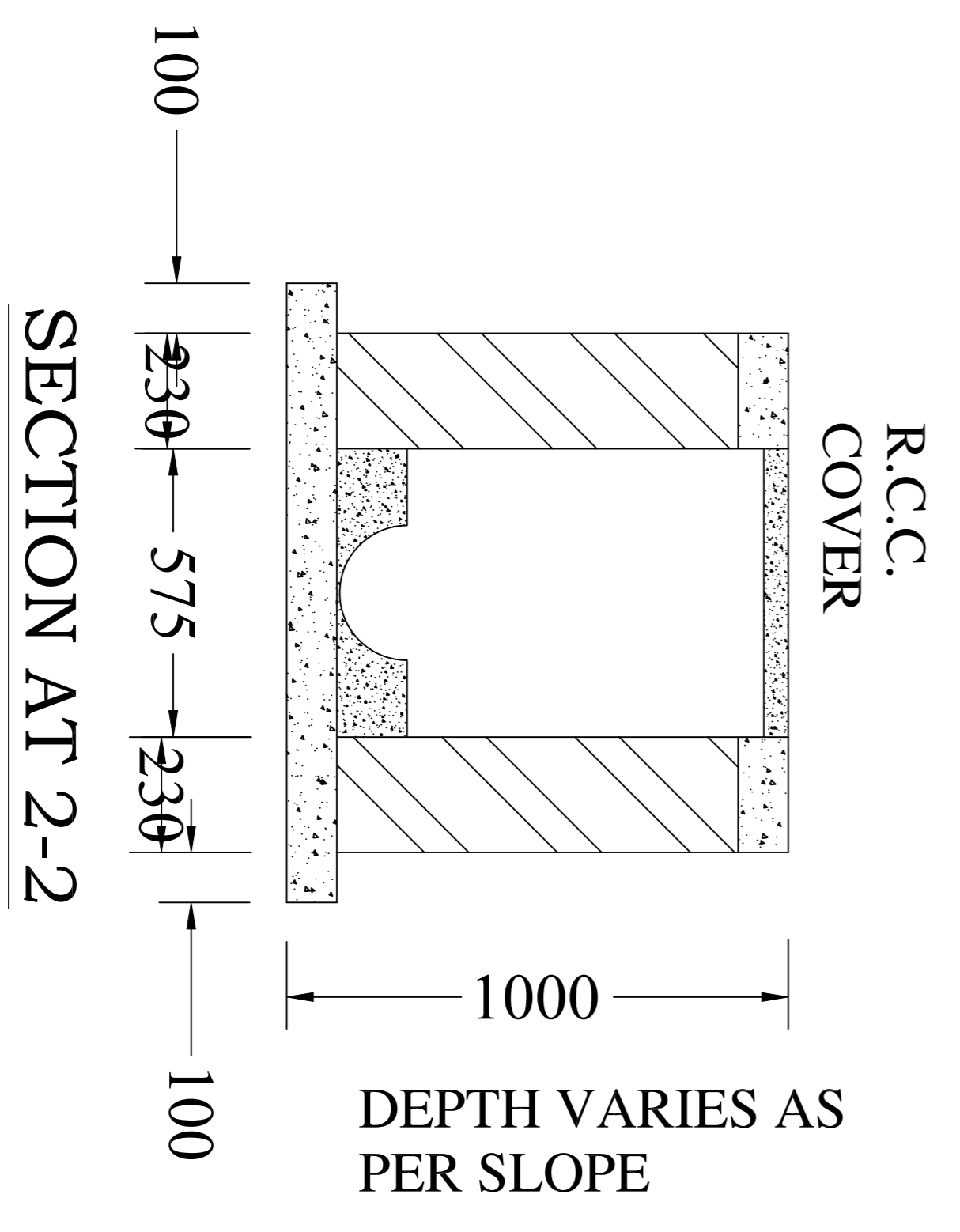
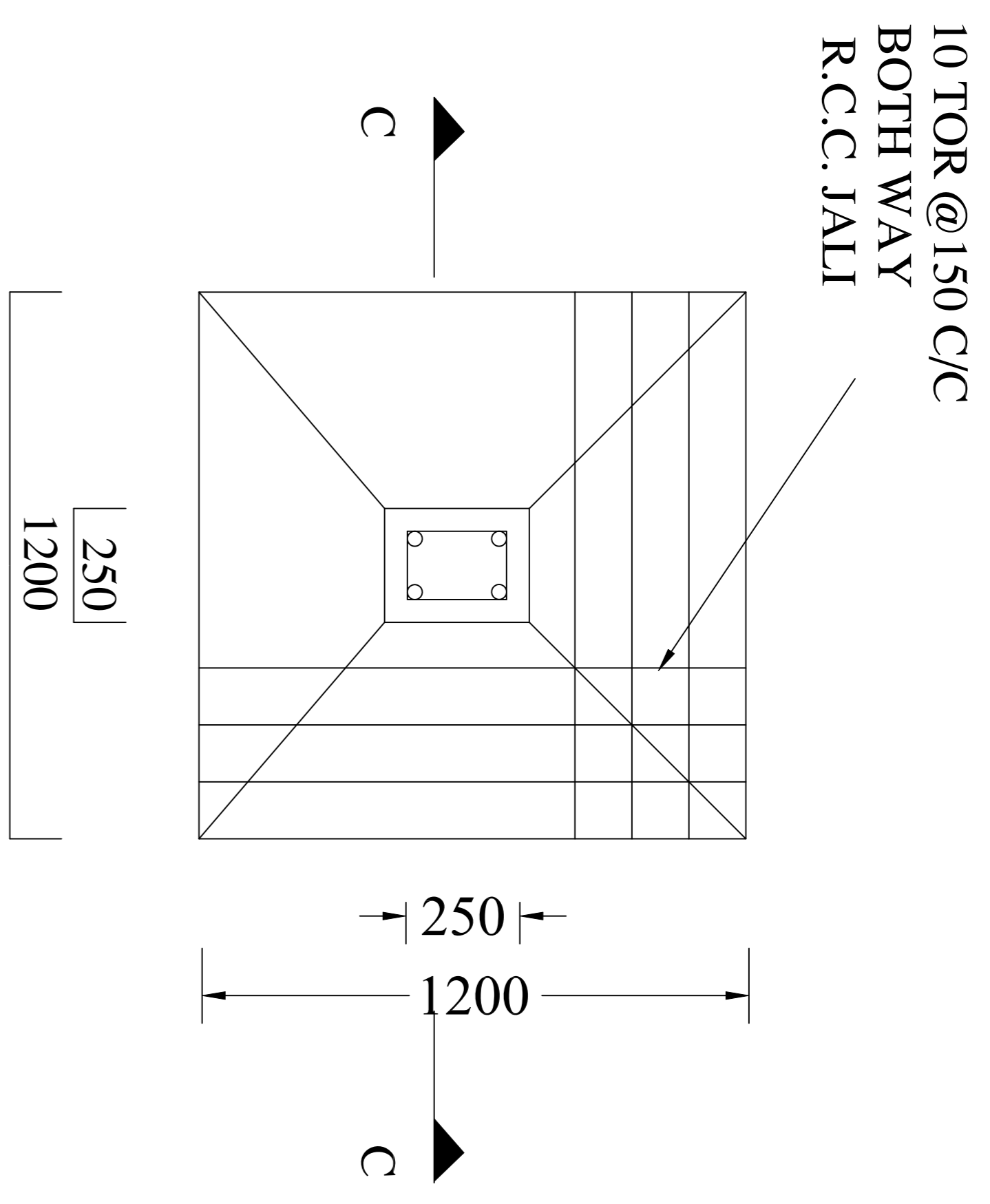


DETAIL OF FOUNDATION



STRUCTURE DETAIL