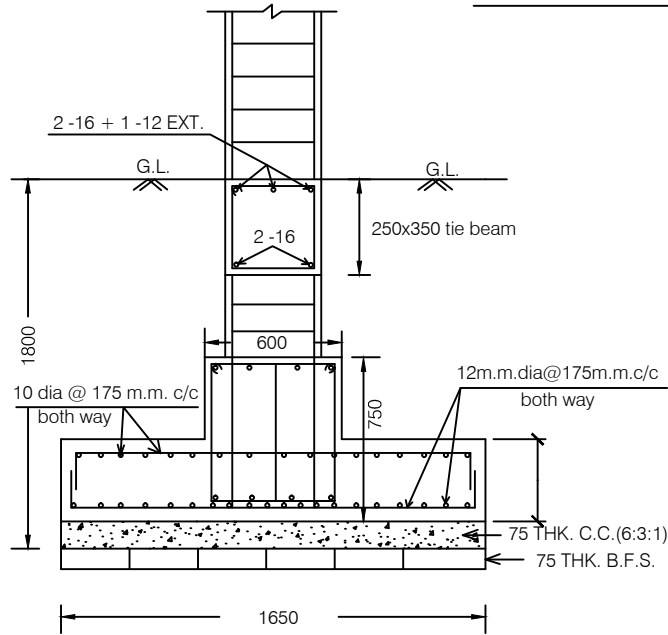
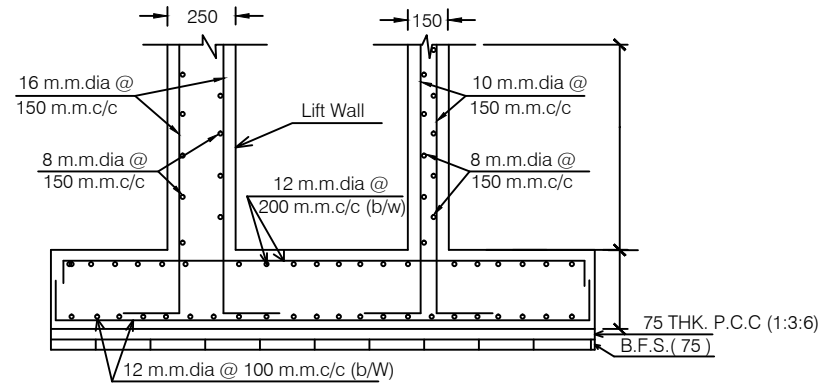


TYPICAL DETAILS OF R.C.C. BEAM

SCALE = 1:25



SECTION OF CONTINUOUS STRIP FOOTING



SECTIONAL ELEVATION OF RAFT FOUNDATION WITH LIFT WELL