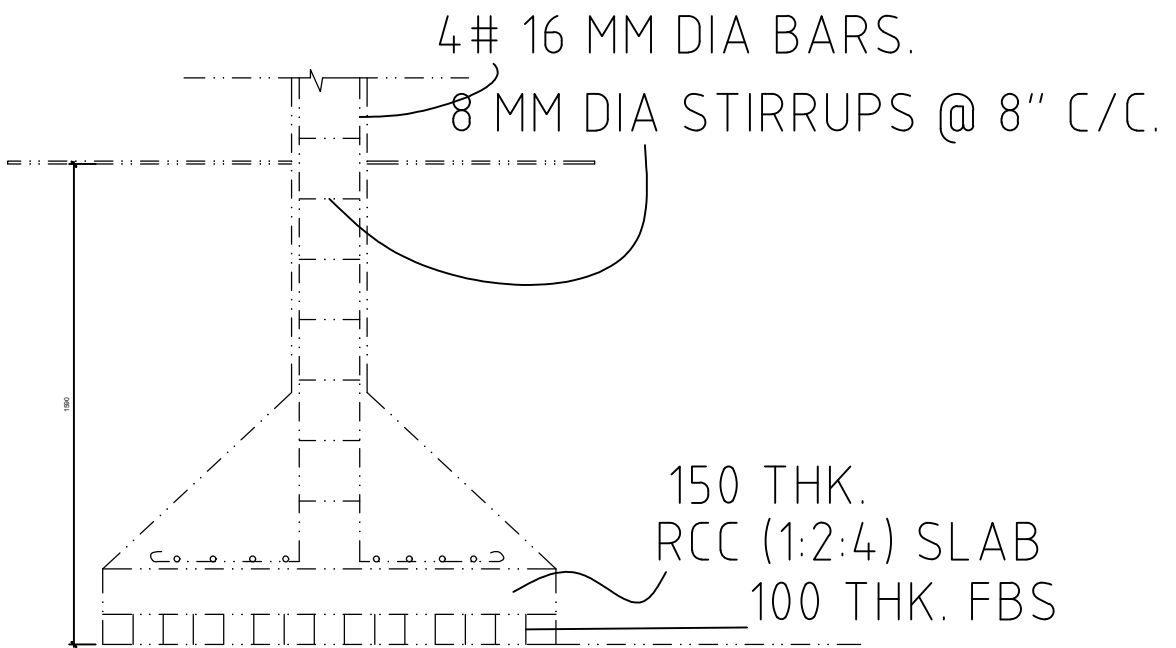


PLAN



SECTION

FOUNDATION DETAILS (ISOLATED R.C.C FOOTING)