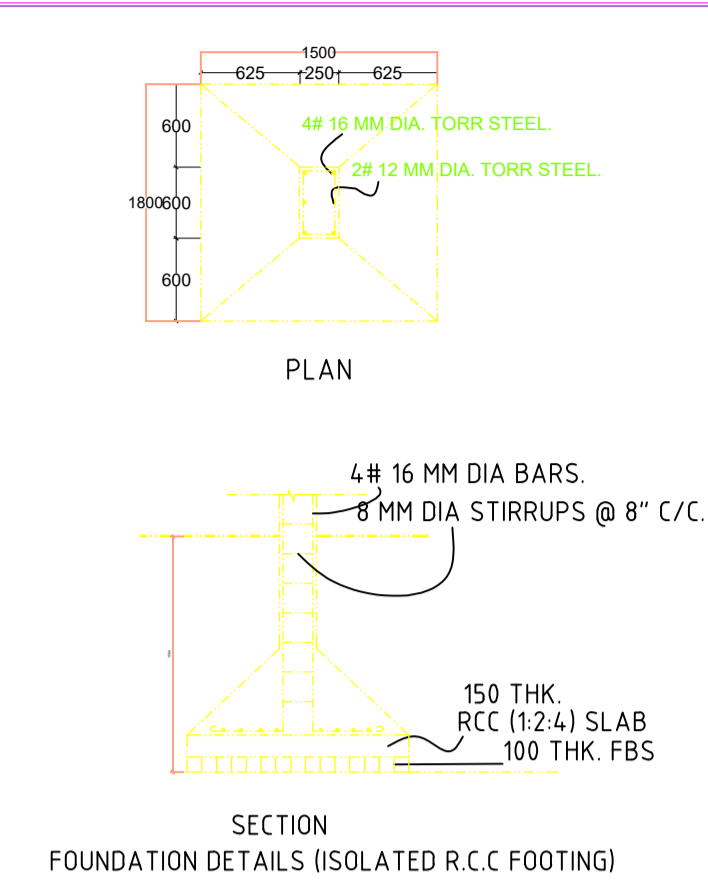
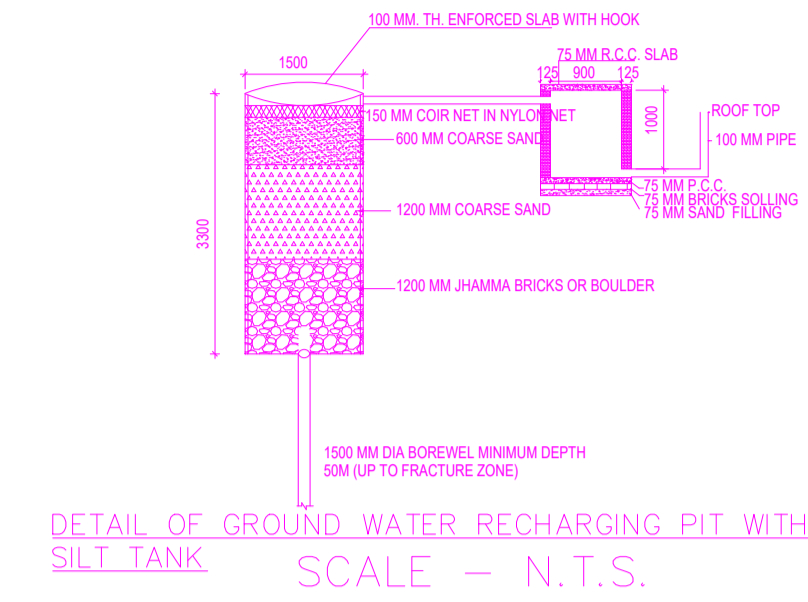


Septic Tank Detail



Structure Detail



Rain Water Storage Tank Detail

BUILDING IS AS PER IS CODE 189-1884 & 1993 TO MAKE THE SAME EARTH QUAKE RESISTANT.

Certificate

BRIEF SPACEFICATION

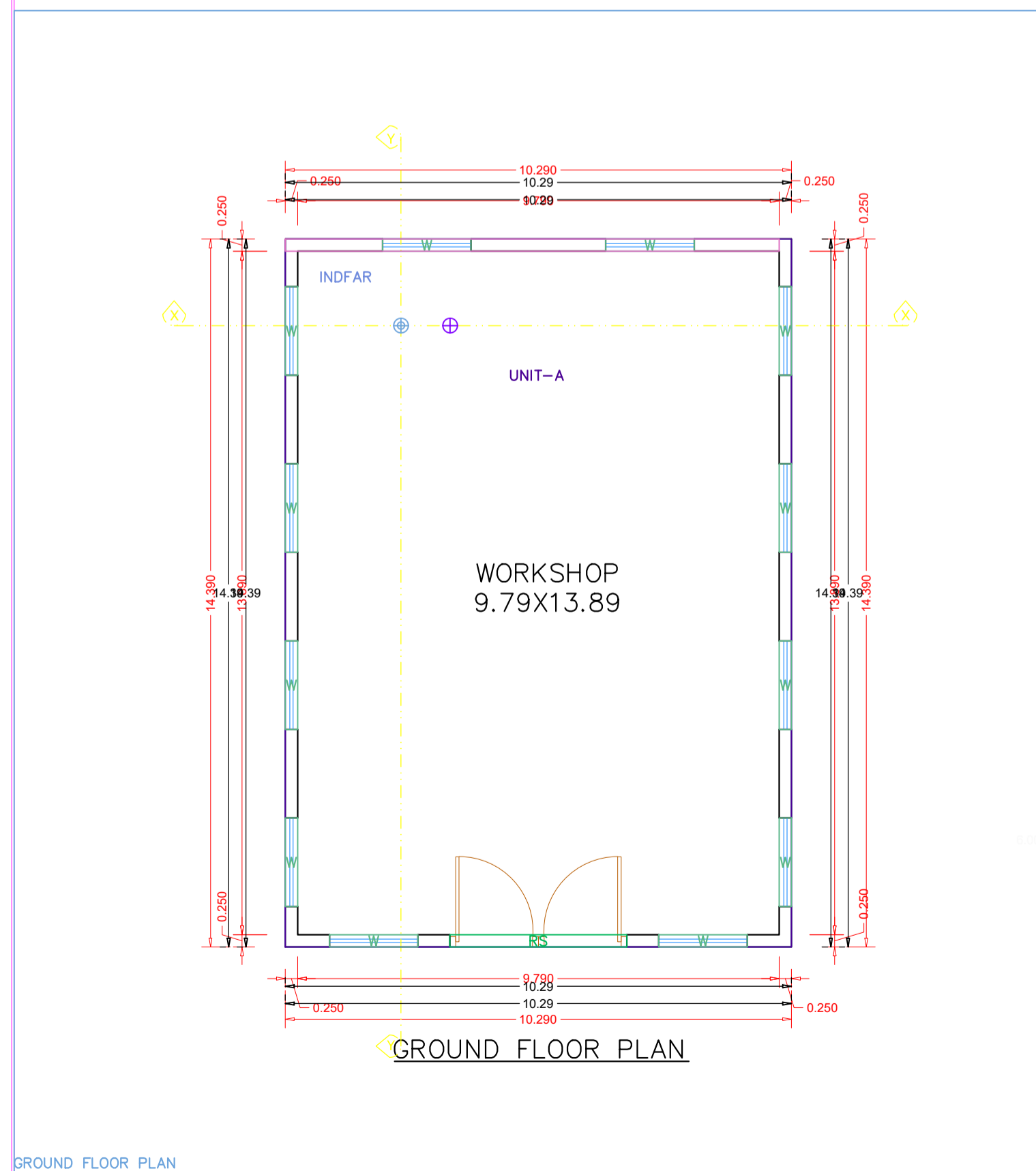
- BRICK WORK IN FOUNDATION & SUPERSTRUCTURE.
- FIRST CLASS BRICK WORK IN CEMENT MORTAR (1:1:6)
- D.P.C.--" D.P.C. IN CEMENT CONCRETE (1:2:4).
- FLOOR----- (a) 1" I.P.S. (b) MOSAIC FLOORING.
- ROOF----- 5 1/2" THK. R.C.C. ROOF (1:1.5:3)
- LINTEL BAND AT 3' LVL.-- 6"THK. R.C.C. LINTEL (1:1.5:3)
- STAIRS RISE-- 6", TREAD-- 10"
- DOORS D-3'3"x7'0", D1-3'0"x7'0", D2-2'6"x7'0"
- WINDOWS-----W-5'0"x4'0", W1-4'0"x4'0", W2-2'6"x4'0"
- VENTS-----2'0"x2'0"
- SAL WOOD FRAME & PAISAL WOOD SHUTTERS SHALL BE USED FOR DOOR .
- ALMUNUM GLAZED WINDOW AND VENTILATORS WITH GUARD BARS SHALL BE USED.
- I.P.S. FLOOR SHALL BE USED OVER R.C.C. SLAB/P.C.C.
- ALL MASONARY SURFACES SHALL BE PLASTERED WITH CEMENT MORTAR 1:6 R.C.C.WITH CEMENT MORTAR 1:4 IN ROOF
- ALL STEEL AND WOOD WORK SHALL BE PAINTED WITH SYNTHETIC PANT .
- ALL SANITARY AND ELECTRICAL FITTINGS SHALL BE OF STANDERD AND COMMERCIAL QUALITY .

SCHEDULE OF DOORS AND WINDOWS

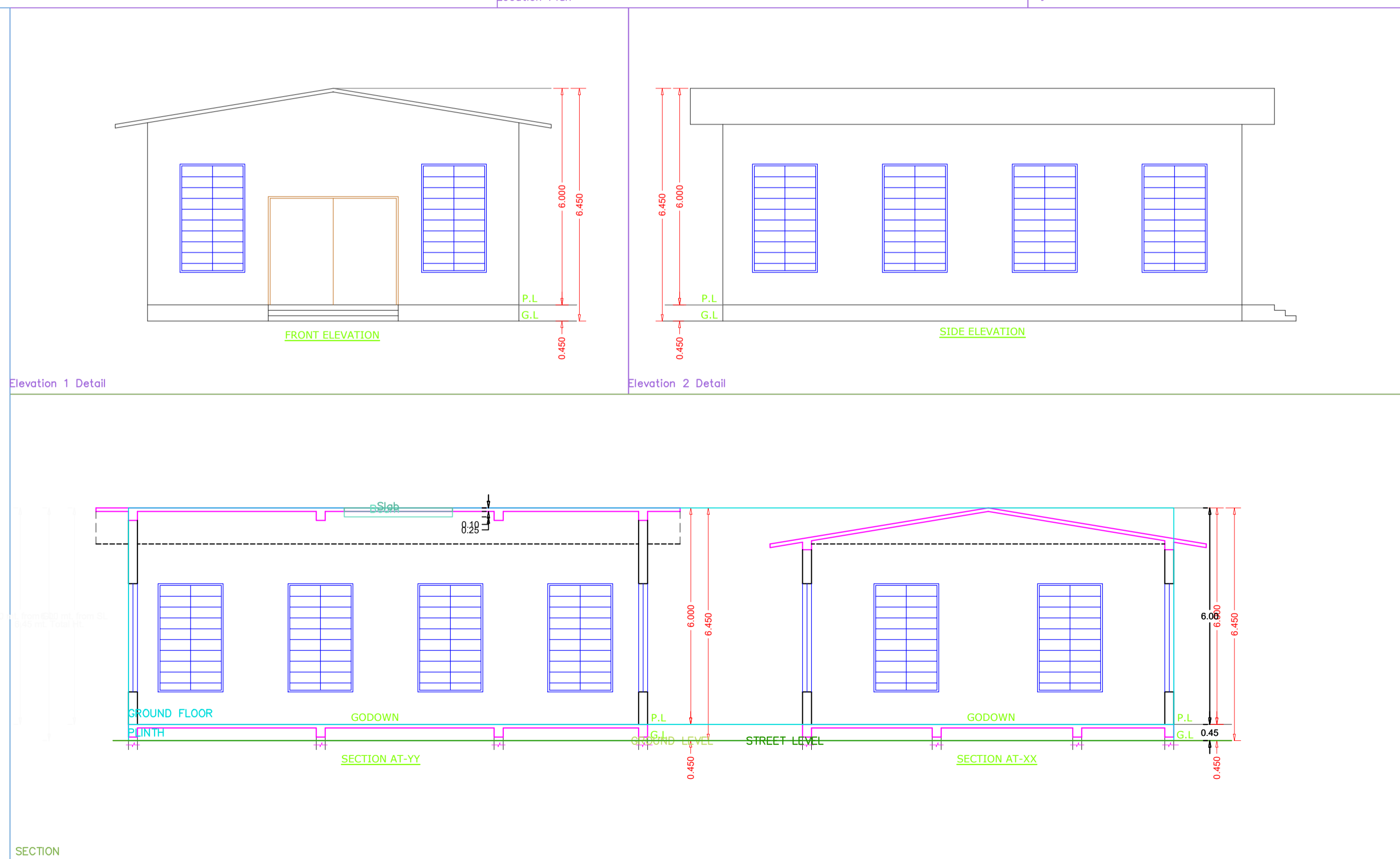
S.No	Type	Width	Height	Lintel	Description
1	C.G	2.100	2.100	2.100	single shutter panel door
2	D	1.050	2.100	2.100	single shutter panel door
3	D1	0.900	2.100	2.100	single shutter panel door
4	D2	0.750	2.100	2.100	single shutter panel door
5	W	1.200	1.200	2.100	4 leaf glazed shutter
6	W1	0.900	1.200	2.100	4 leaf glazed shutter
7	V	0.600	0.600	2.100	ventilation

SCHEDULE OF AREA

DESIGNED & CHECKED BY	Scale: 1:100	Sheet
DRAWN	Date :	01
ISSUE ONLY FOR Submission .		
ARCHITECT	CLIENT	



GROUND FLOOR PLAN



SECTION