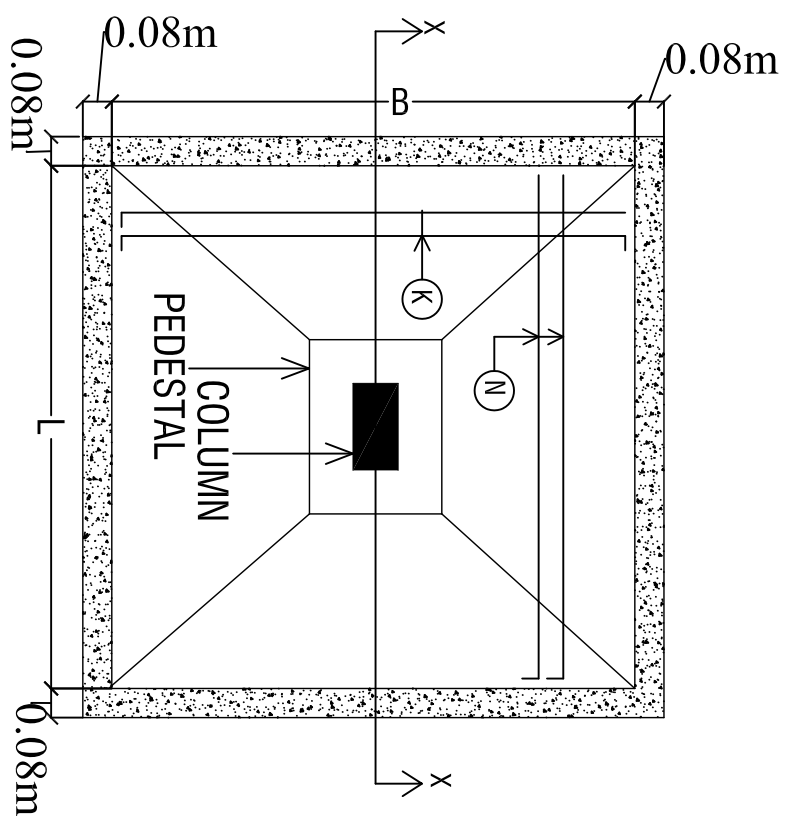
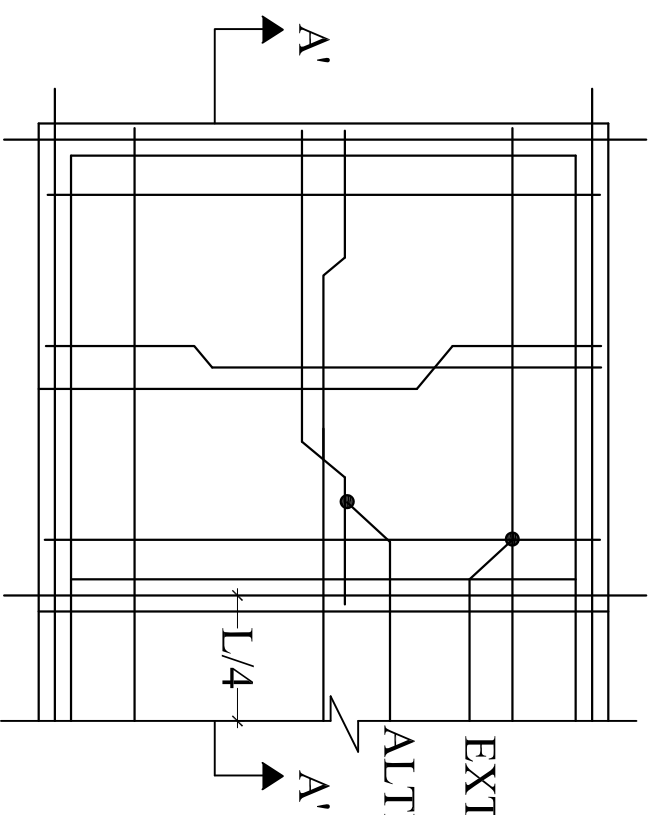


**PLAN OF ISOLATED FOOTING**



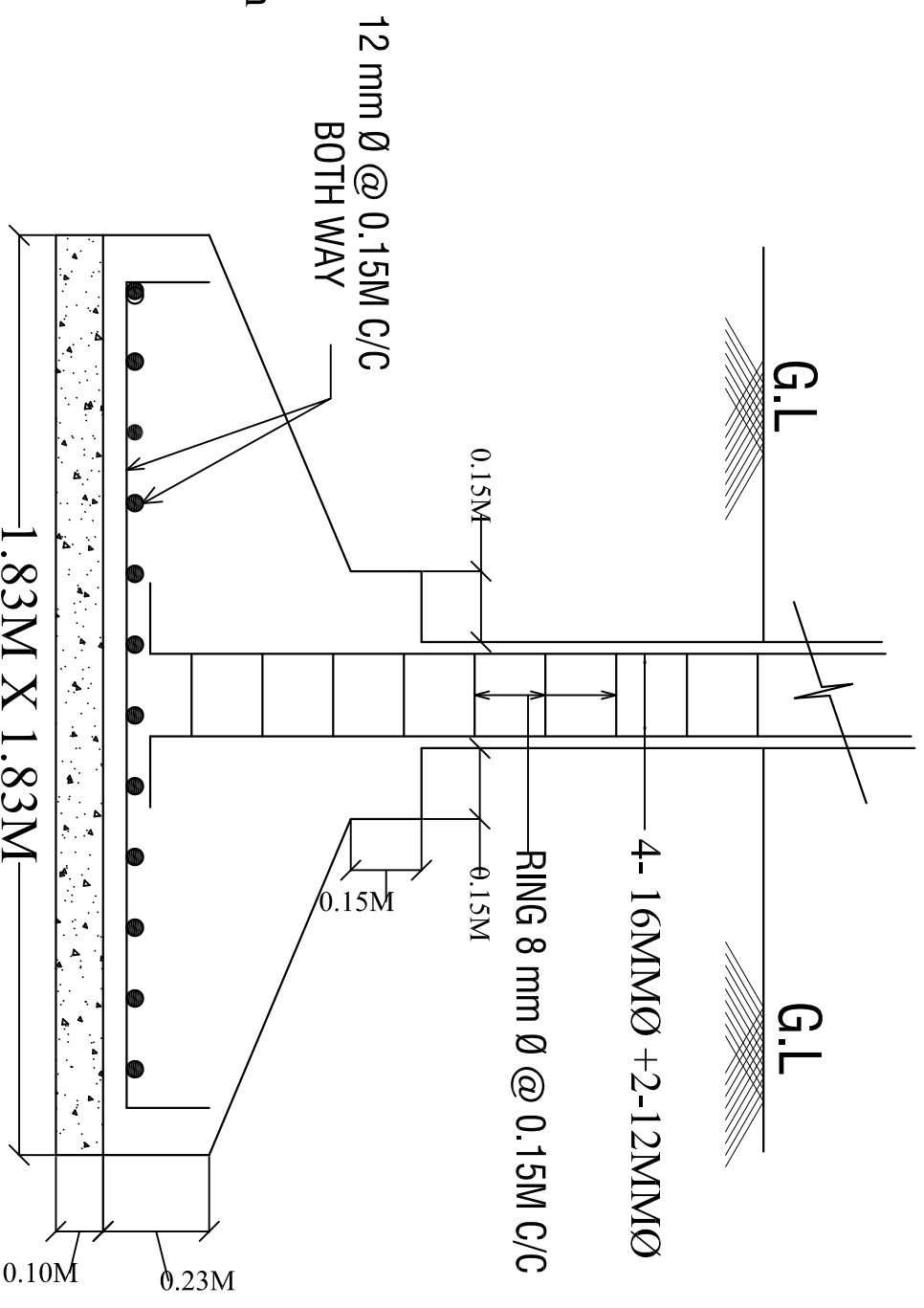
**EXT. TOP AS BINDER**



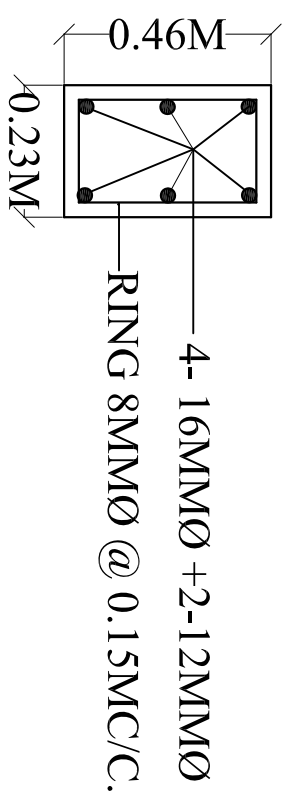
**ALTERNATE CRANKED**

**TYPICAL REINFORCEMENT DETAIL**

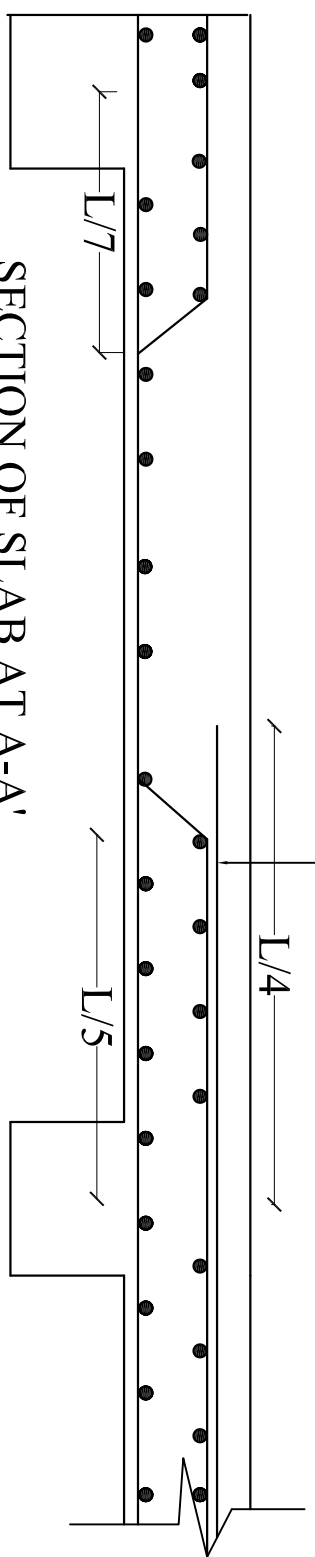
**SECTION OF FOOTING .**



**SECTION OF COLUMN.**



**EXTRA TOP**



**SECTION OF SLAB AT A-A'**

structure detail