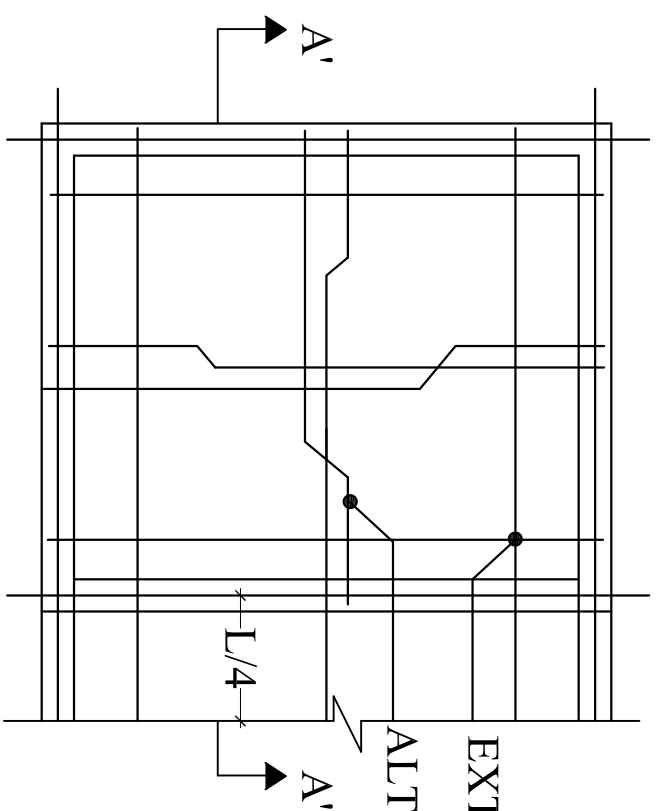
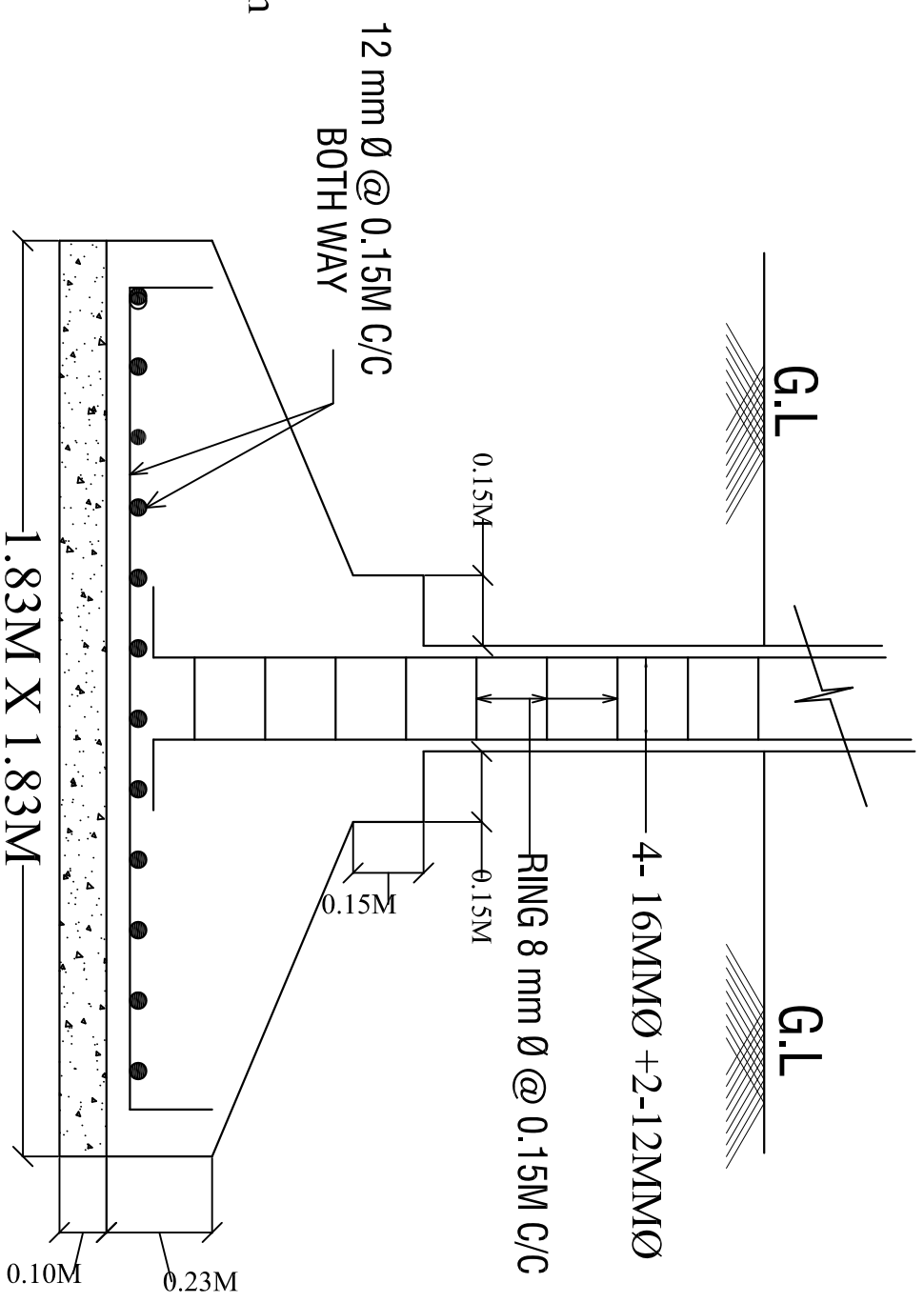


PLAN OF ISOLATED FOOTING

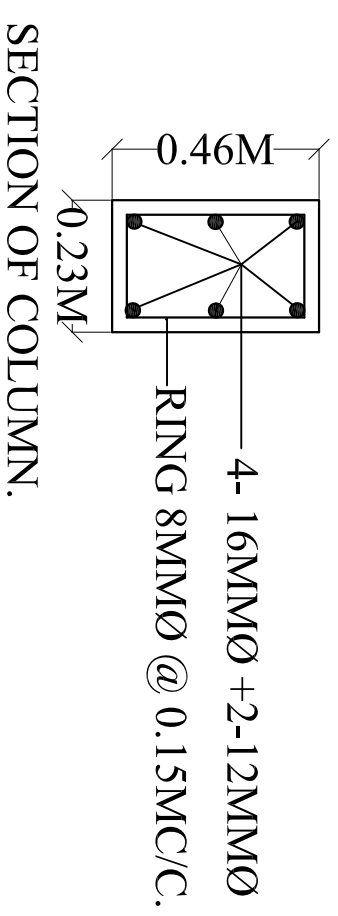


TYPICAL REINFORCEMENT DETAIL



SECTION OF FOOTING .

**EXT. TOP AS BINDER
ALTERNATE CRANKED**



EXTRA TOP

