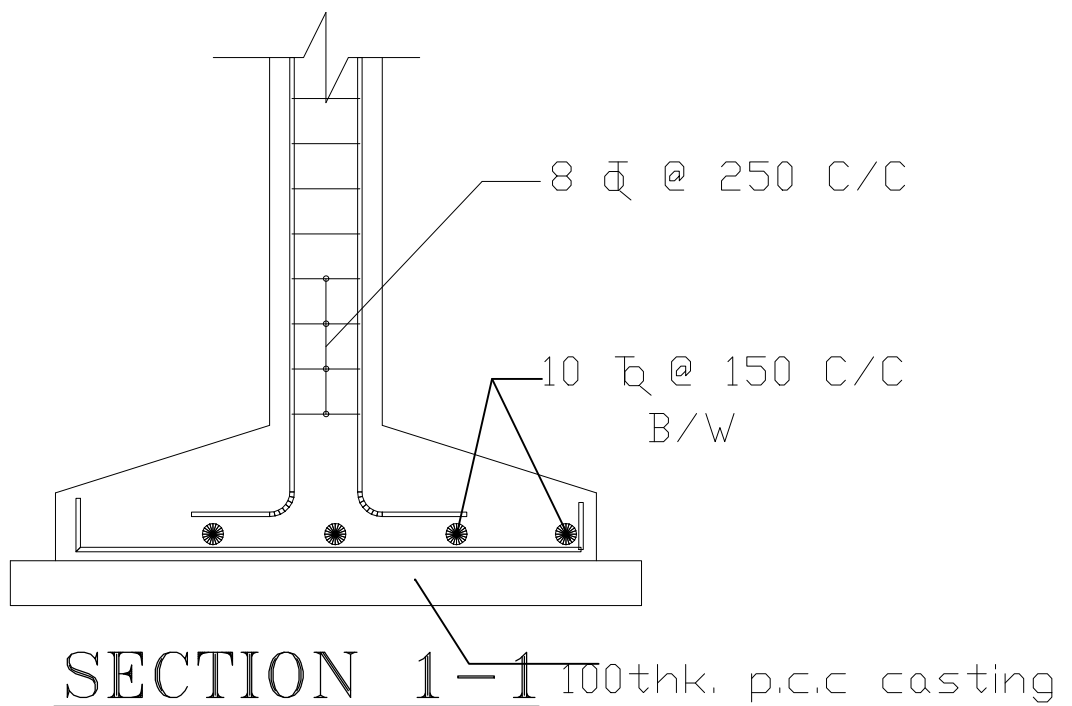


# TYP FDN & COLUMN DETAIL

(SCALE - 1:25)



## SECTION 1-1 100thk. p.c.c casting

(SCALE - 1:25)