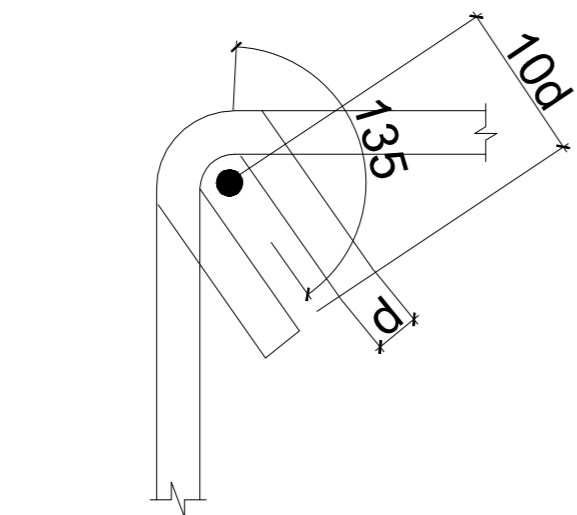
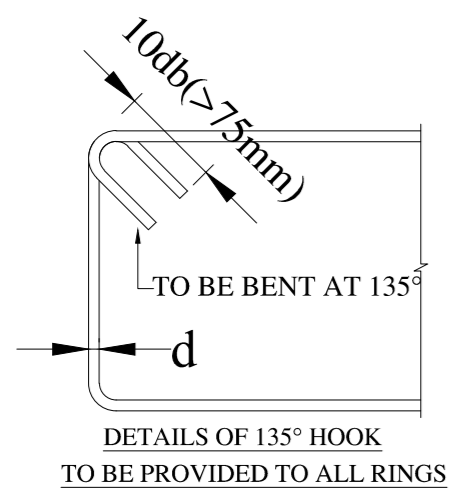
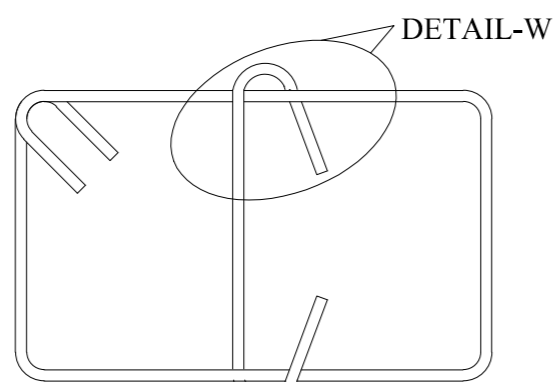


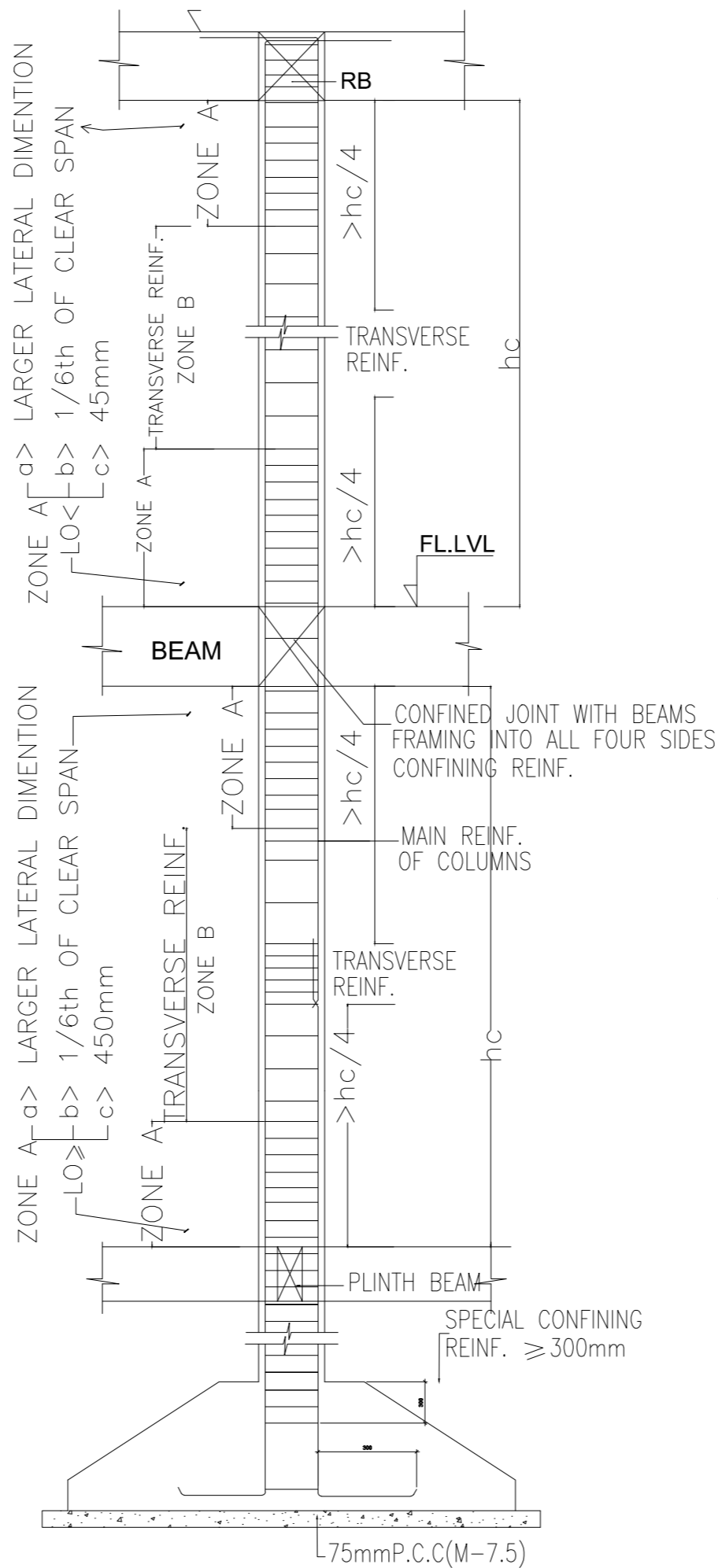
TYPICAL DETAILS OF LAP  
IN COLUMN



TYP. HOOK DETAIL



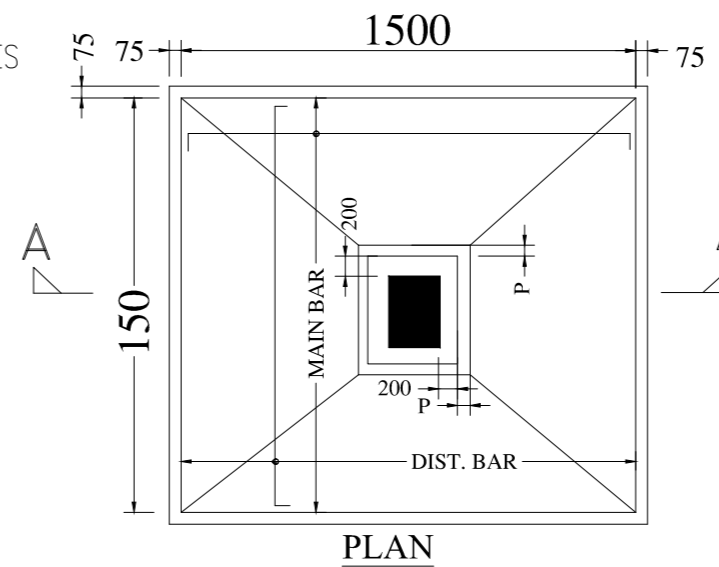
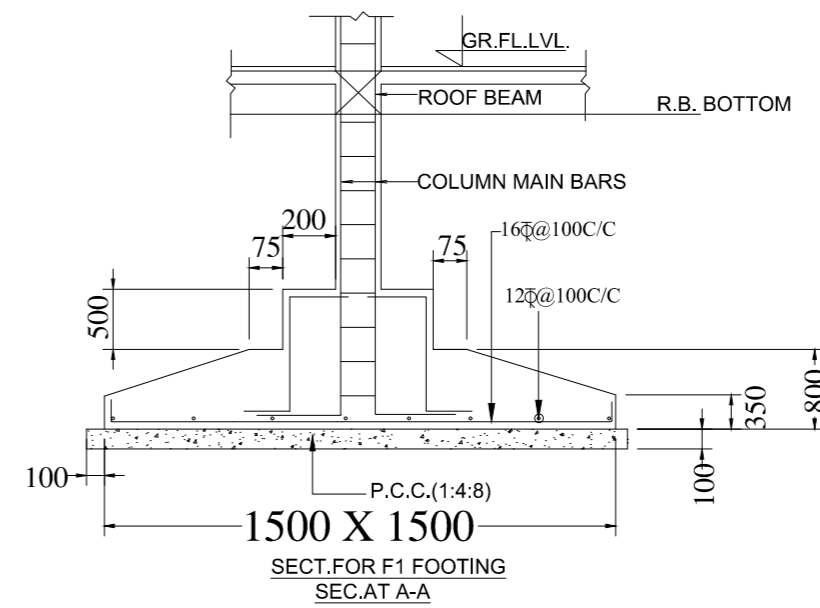
TYPICAL DETAIL OF LINK



STIRRUPS DETAIL FOR COLUMNS

BASE  
JALI

MAIN BAR:-  
12 NOS 16#  
DIST. BAR:-  
12 NOS 12#



TYP. STIRRUPS SCHEDULE

ZONE A	8 @ 4" c/c
ZONE B	8 @ 6" c/c

GENERAL NOTES -

NOTES & REFERENCES

1. READ THIS DRAWING IN CONJUNCTION WITH RELEVANT ARCHITECTURAL DRAWINGS. ANY DISCREPANCY IF FOUND SHALL BE BROUGHT TO THE NOTICE OF CONSULTANT
2. ALL DIMENSIONS ARE IN FEET, INCH & LEVELS IN MILLIMETERS.
3. DO NOT SCALE ANY DIMENSION.
4. CONFIRM LOCATION OF WALLS WITH RELEVANT ARCH. DRGS.
5. CONCRETE GRADE IS M25
6. THE REINFORCEMENT SHALL BE COLDTWISTED DEFORMED BARS (C.T.D) OR T.M.T. BARS HAVING YIELD STRENGTH NOT LESS THAN 500 N/mm<sup>2</sup> AND CONFORMING TO I.S. 1786 - 2006.
7. THE CLEAR COVER TO THE REINFORCEMENT SHALL BE AS FOLLOWS:-
  - (a) FOUNDATION : 50 MM
  - (b) COLUMNS : 40 MM
  - (c) BEAMS (top & bottom) 30 MM side cover 30mm
  - (d) SLABS : 25 MM
  - (e) CHAJJAS/CANOPY : 25 MM
  - (f) R.C.C. WALL 30 MM(EARTH FACE) & 25MM(INNER FACE)
8. NOT MORE THAN 50% OF THE BARS SHALL BE LAPPED AT ANY SECTION. LAPS CLOSE TO THE MID SPAN IN BOTTOM BARS & CLOSE TO SUPPORTS IN TOP BARS SHALL BE AVOIDED.
9.
  - INDICATES TOP BARS
  - INDICATES BOTTOM BARS
  - Opening in structural element
  - p.c.c work
  - Brick work
10. ALL R.C.C. TO BE MACHINE MIXED, VIBRATED AND CURED THOROUGHLY AS PER I.S 456-LATEST.
11. ALL FOOTING ARE CENTRALLY PLACED WITH RESPECTED TO THE CENTER LINE OF COLUMN
12. REINFORCEMENT SHALL BE PROVIDED IN TWO LAYERS WHEREVER FOUND NECESSARY WITH SPACER BAR TO BE PROVIDED BETWEEN TWO LAYERS OF REINFORCEMENTS AS PER IS:456-SPACER BAR
13. ALL DIMENSIONS MUST BE CHECKED WITH ARCHITECT'S DRGS. & IN CASE OF ANY DISCREPANCY ARCHITECTS DRGS. SHALL PREVAIL.
14. ALL CONSTRUCTION JOINTS SHALL BE APPROVED BY CONSULTANT ON THE BASIS OF SCHEME PREPARED BY CONTRACTOR.
15. TOP AND BOTTOM EXTRA BARS IN BEAMS TO EXTEND BEYOND THE FACE OF SUPPORT AS SHOWN IN DRG UNLESS OTHERWISE SHOWN.
16. THE FIRST STIRRUPS IN BEAMS SHALL BE AT A DISTANCE OF 50MM FROM THE JOINT FACE. THE SPECIAL CONFINING REINFORCEMENT SHALL BE PROVIDED THROUGH THE JOINT AT THE GIVEN SPACING IN COLUMNS.
17. ALL ANGLES ARE RIGHT ANGLES UNLESS OTHERWISE SPECIFIED.
18. PROVIDE DIST STEEL OVER EXTRA TOP BARS IS: 8@200 c/c (8")
19. BLACK COTTON SOIL IF ENCOUNTERED IN FDN PITS, SHALL BE FULLY REMOVED.
20. ALL LOOSE POCKETS OF SOIL BELOW FOUNDATION SHALL BE FILLED WITH P.C.C.1:4:8

THIS DRAWING HAS NOT BEEN PUBLISHED AND IS THE SOLE PROPERTY OF DESIGN CREATION AND IS ISSUED TO THE PARTY FOR THE SPECIFIC PURPOSE AS STATED IN THE AGREEMENT AND IT SHALL NOT BE REPRODUCED, COPIED, LENT OR OTHERWISE DISPOSED OF DIRECTLY OR INDIRECTLY, NOR USED FOR ANY OTHER PURPOSE OTHER THAN FOR WHICH IT IS FURNISHED.

NORTH

ALL DIMENSIONS ARE IN FEET, INCH UNLESS OTHERWISE SPECIFIED.

CLIENT:-

PROJECT:-

STRUCTURAL DRAWING