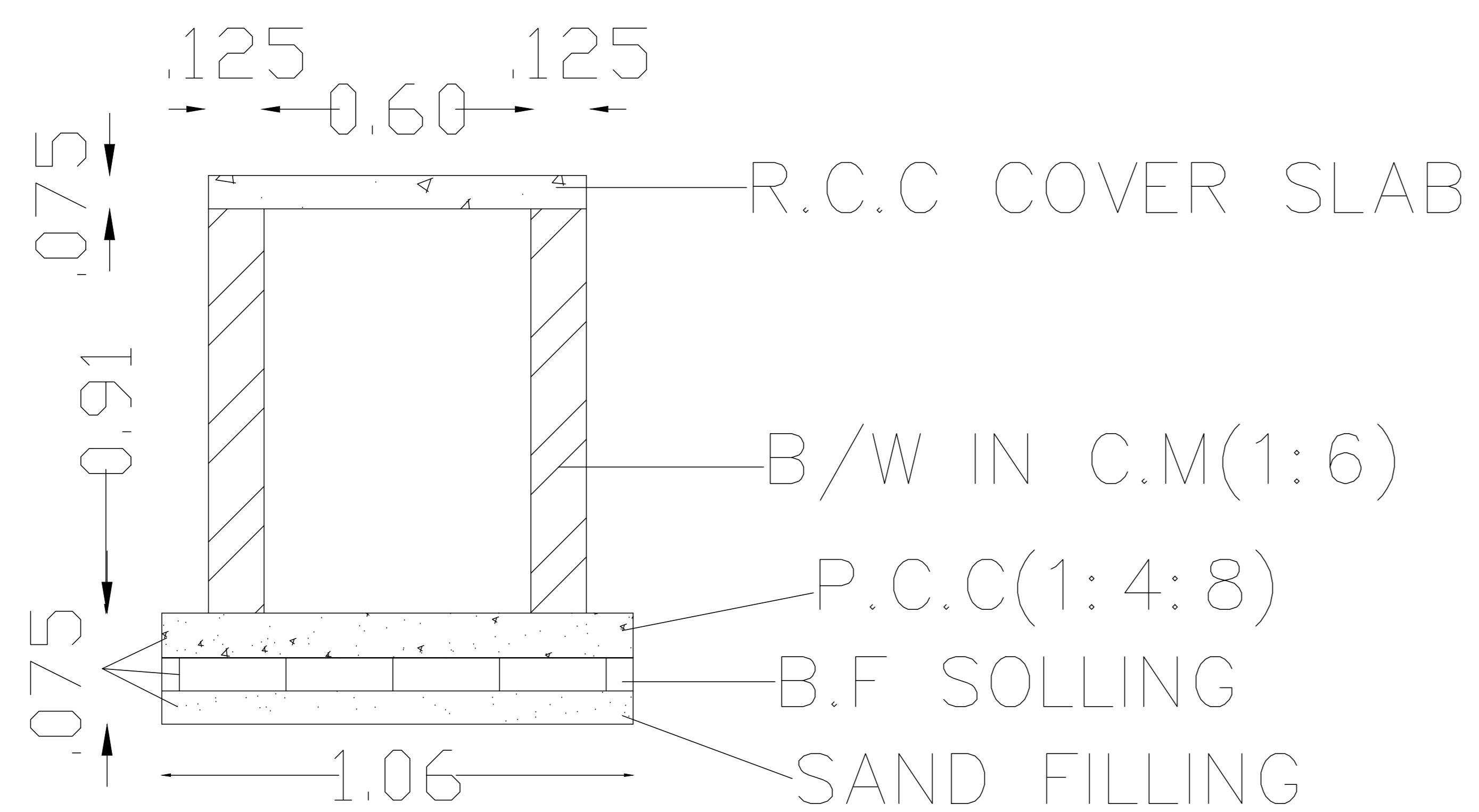


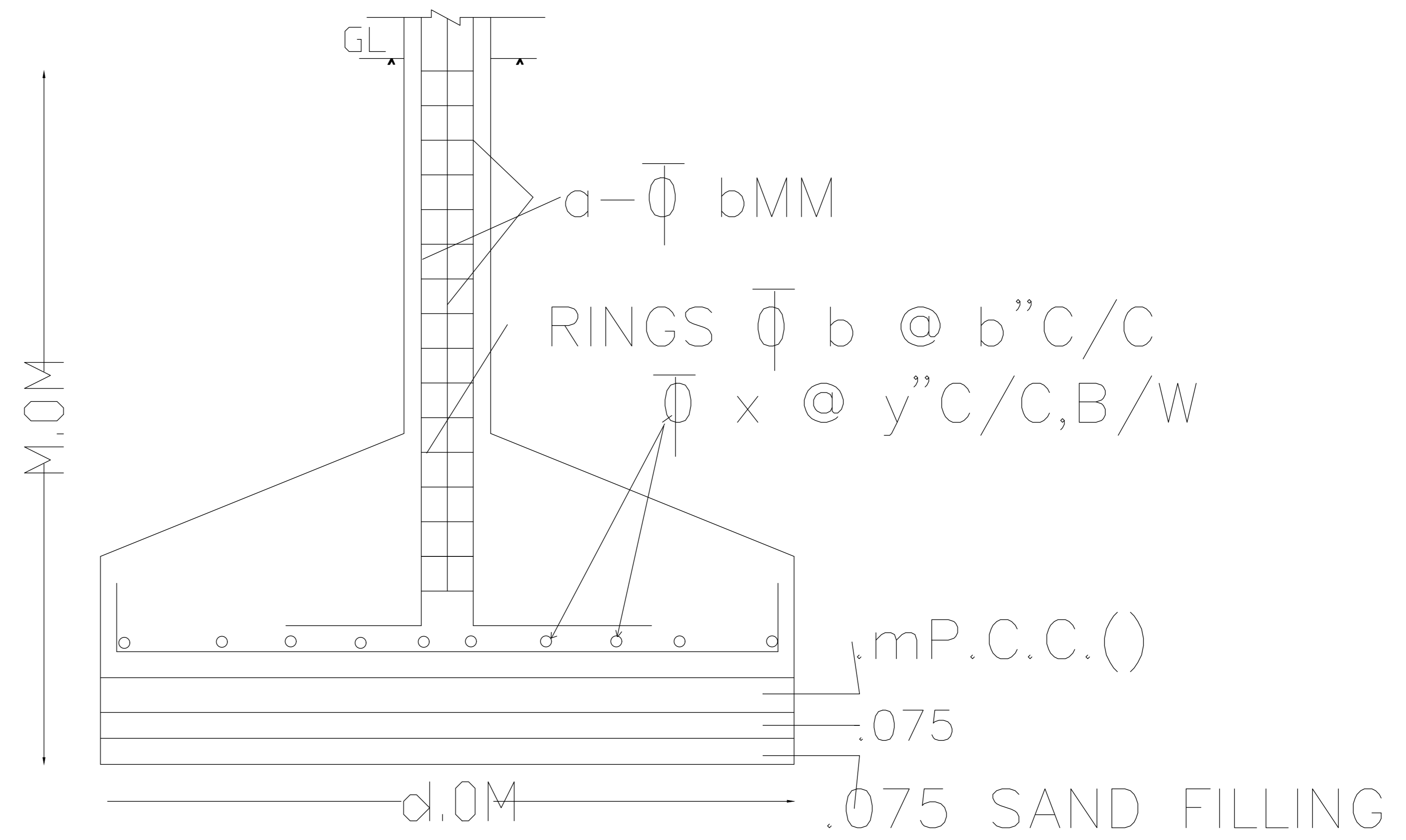
SPECIFICATION OF DRAIN

1. FOUNDATION.
2. SAND FILLING.
3. BRICK SOLLING.
4. P.C.C (1: 4: 8).
5. B/W IN C.M (1: 6)..
6. R.C.C (1: 1.5: 3) COVER SLAB.



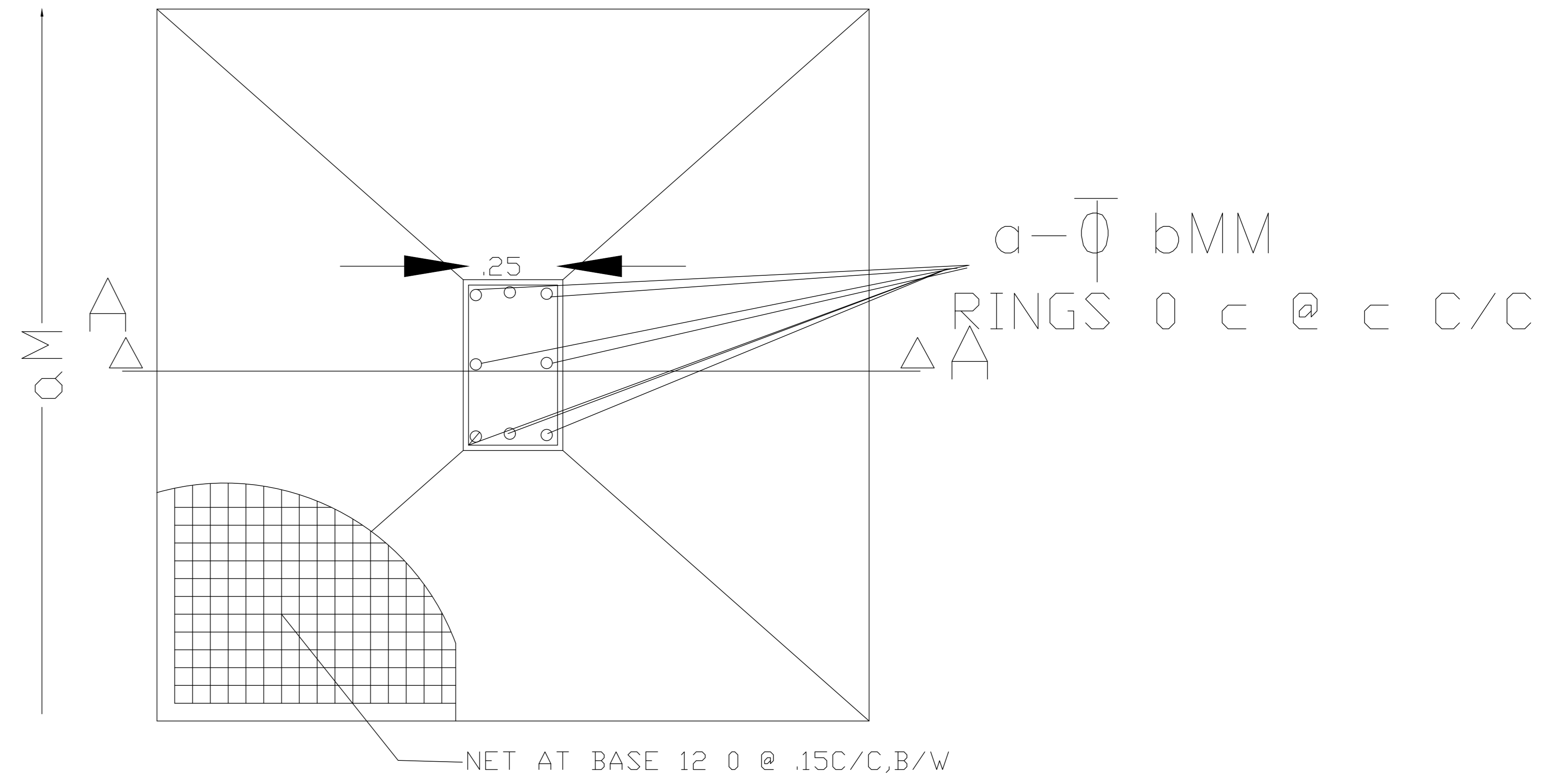
SECTION OF DRAIN

SLOPE OF DRAIN=1: 200



SECTION ON A-A

SCALE= 1:50



PLAN OF COLUMN FOUNDATION

NTS