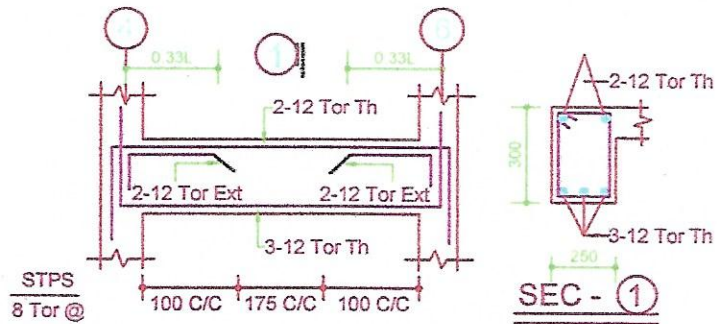
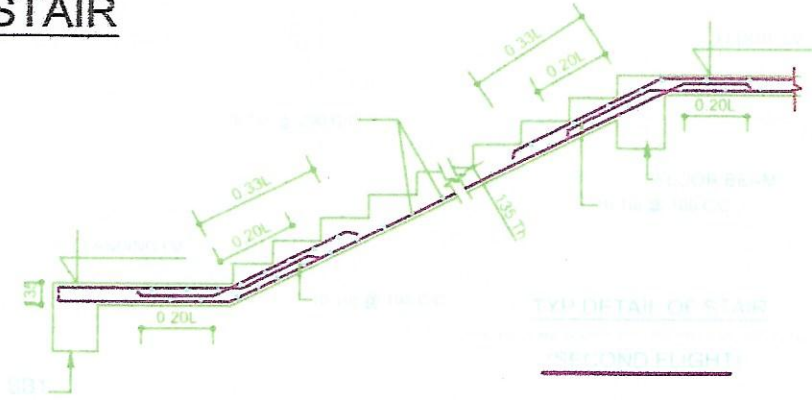
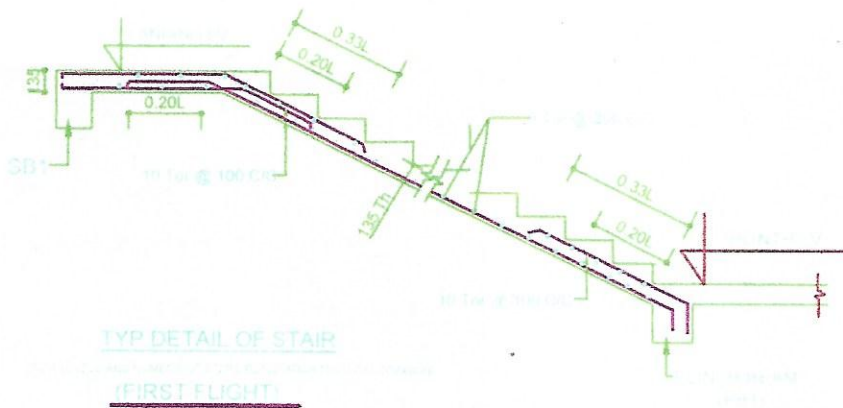


STAIR

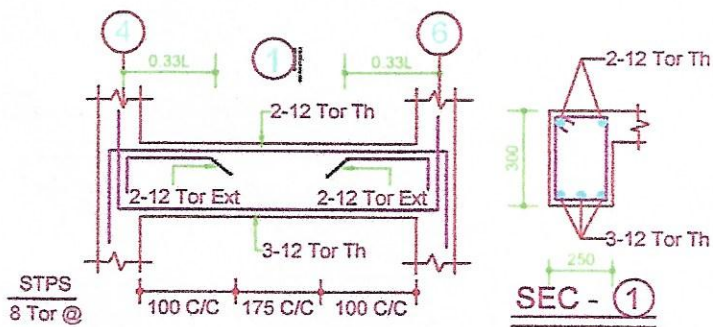


DET. OF SB1/PB1 (250X300)

BEAM AT LANDING LV



ROOF BEAM



DET. OF R.B. - (250X300)

BEAM AT LANDING LV