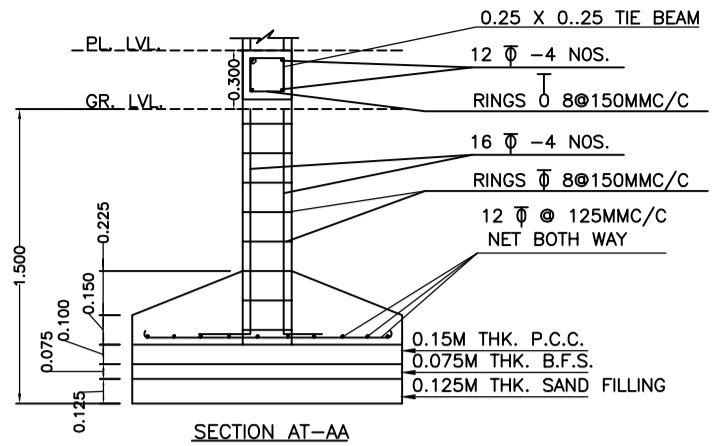
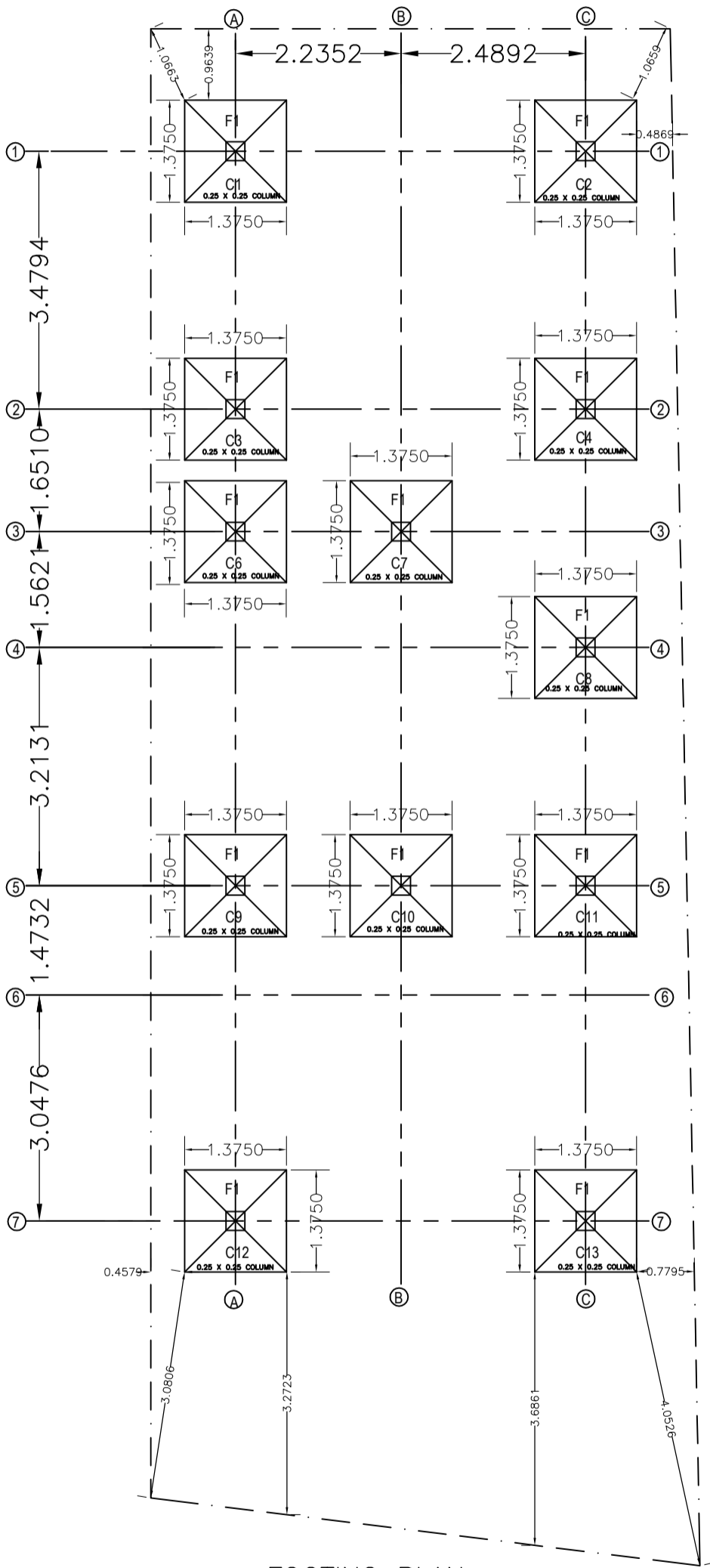


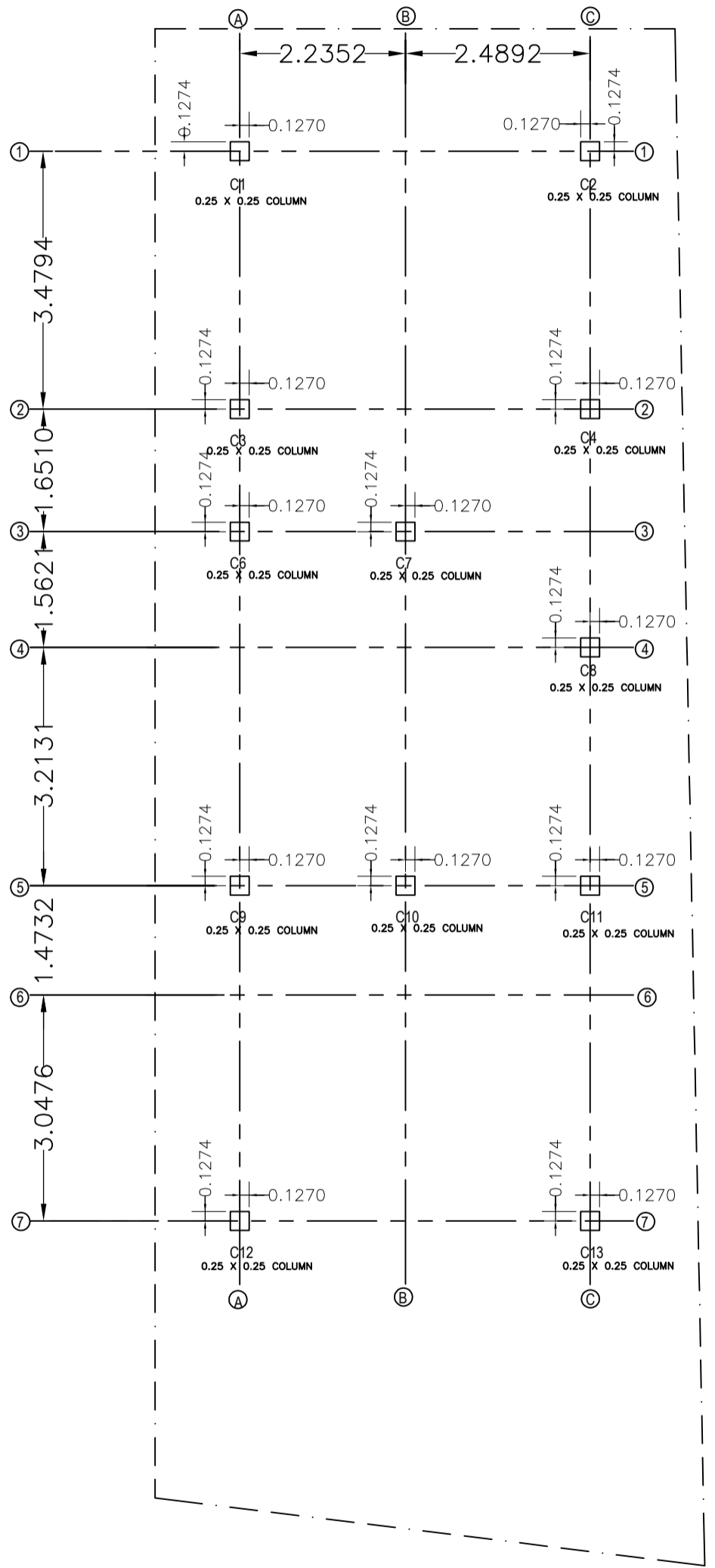
DETAIL OF C1 10"X10"



SECTION AT-AA



FOOTING PLAN



COLUMN LAYOUT PLAN

PROJECT :-

MR. BARANWAL
DEOGHAR.

TITLE :- FOOTING PLAN, FOOTING DETAILS
& COLUMN LAYOUT PLAN



DEALT:- AMIT
DATE :- 06.05.2018
SCALE:-

ARCHITECTS & INTERIOR DESIGNERS :-

A. K. ARCHITECTS
Savitri Complex, Opposite Citystyle
Station Road, Deoghar, Jharkhand.
amitkumar.arch@gmail.com