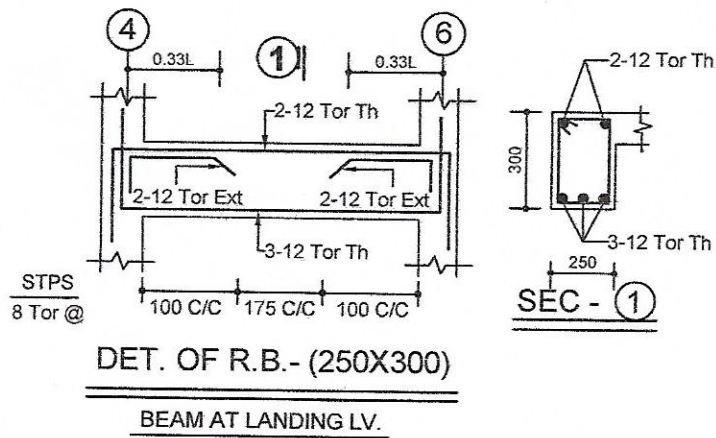
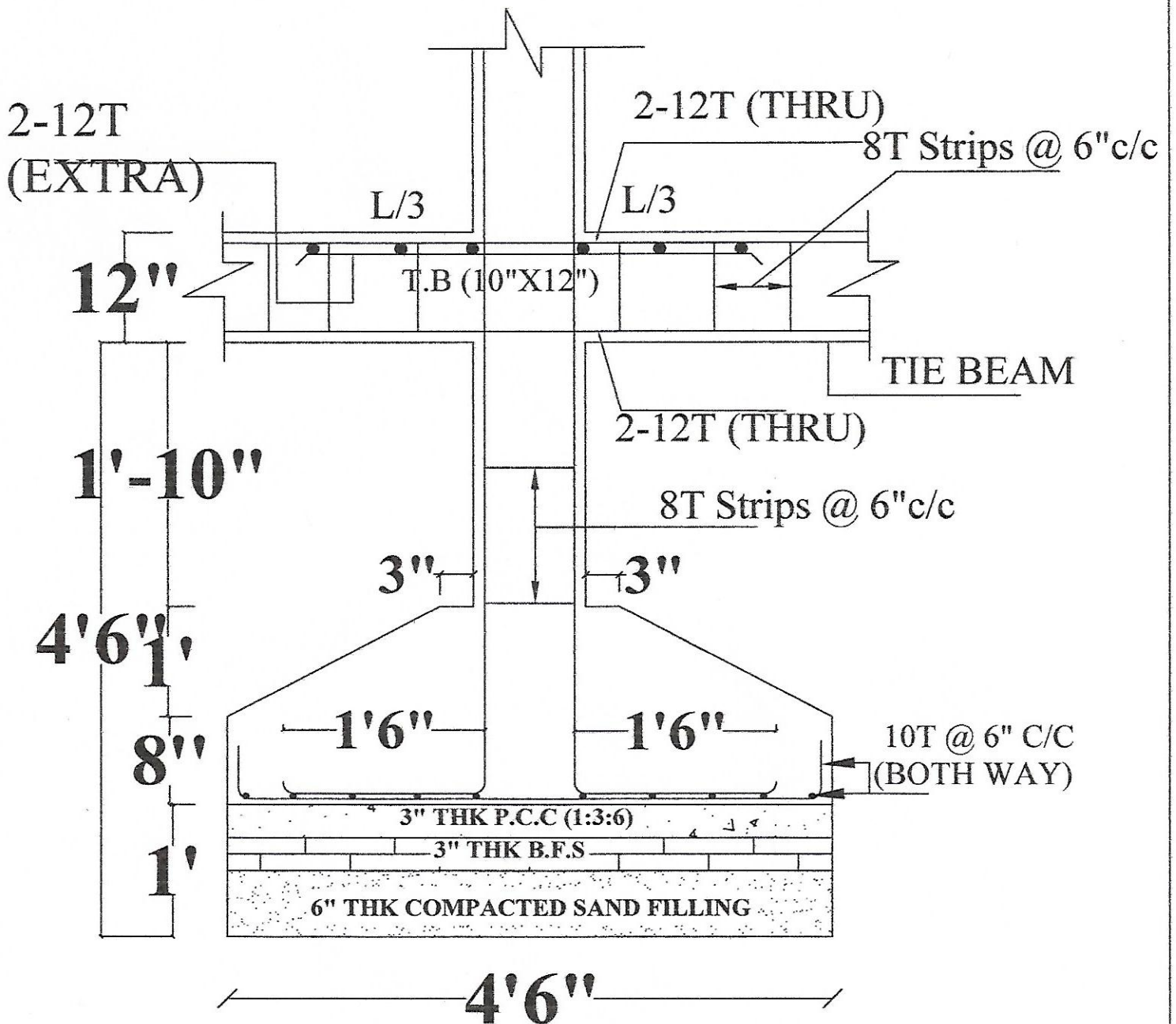
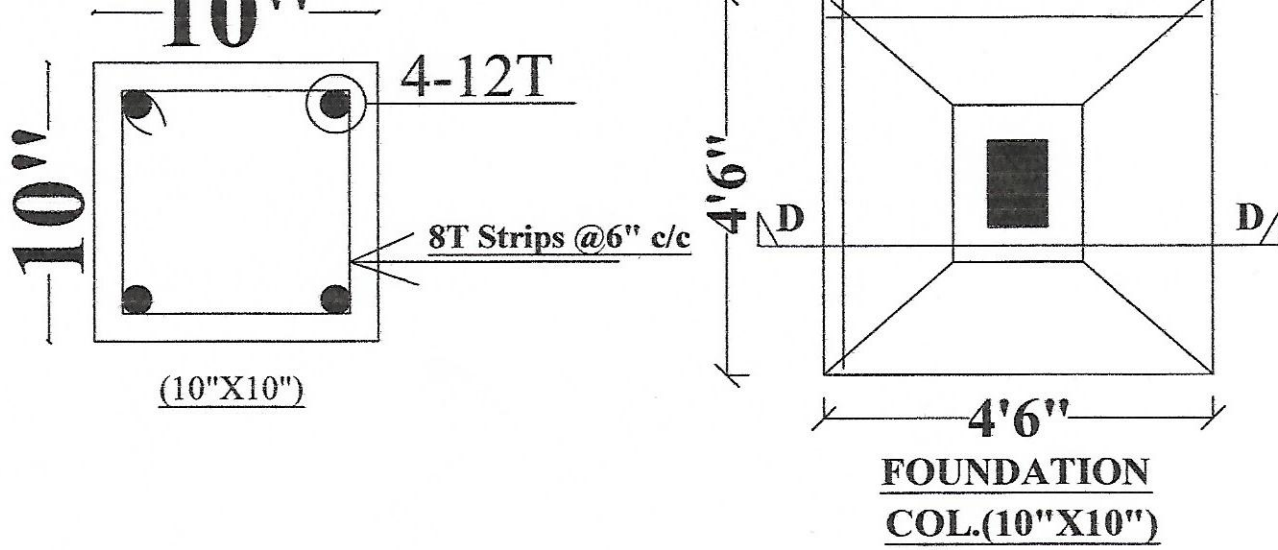


ROOF BEAM





SECTION - D-D