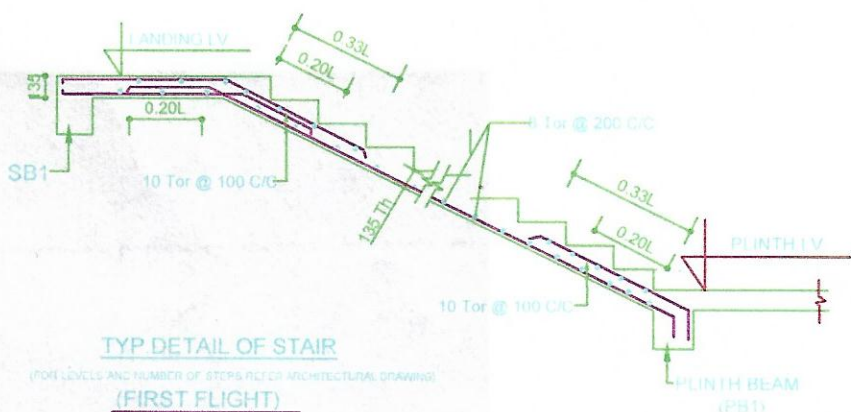
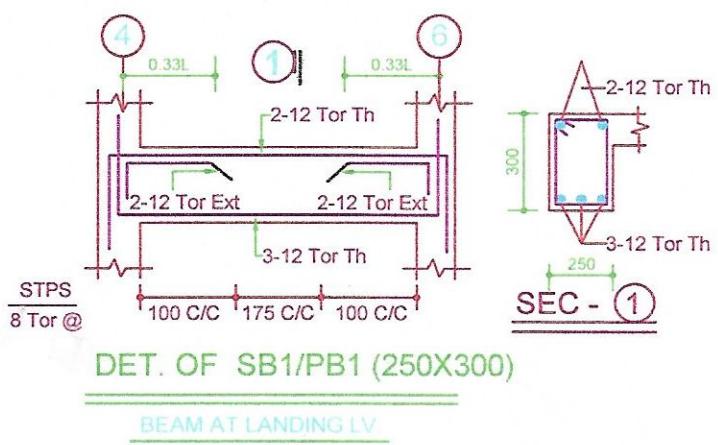
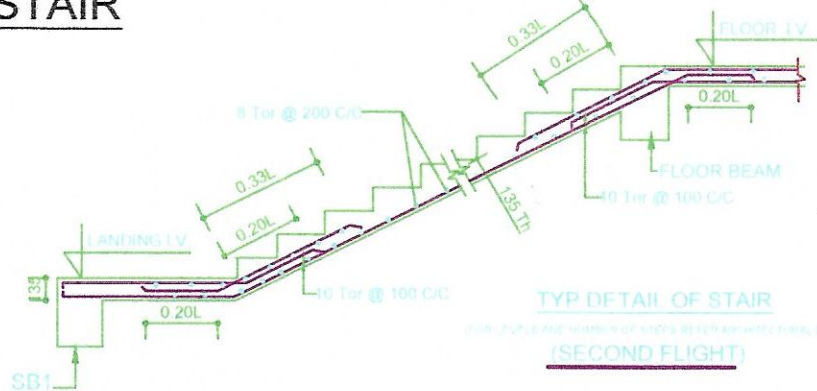


# STAIR



# ROOF BEAM

