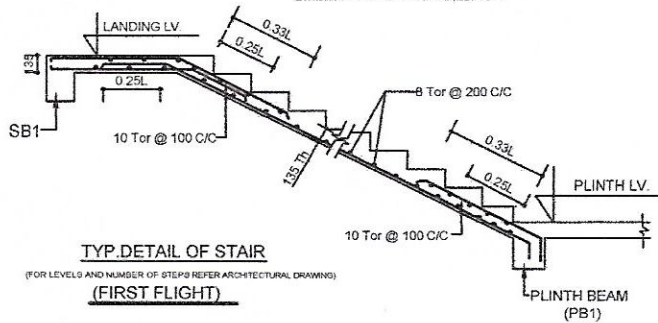
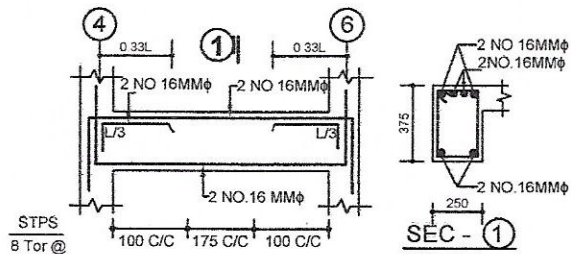
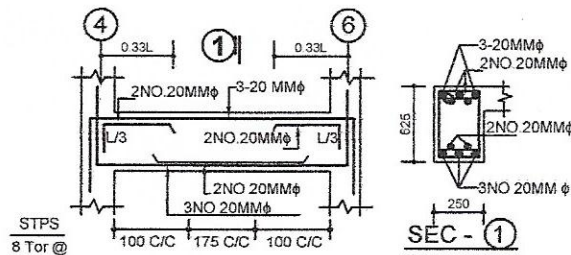
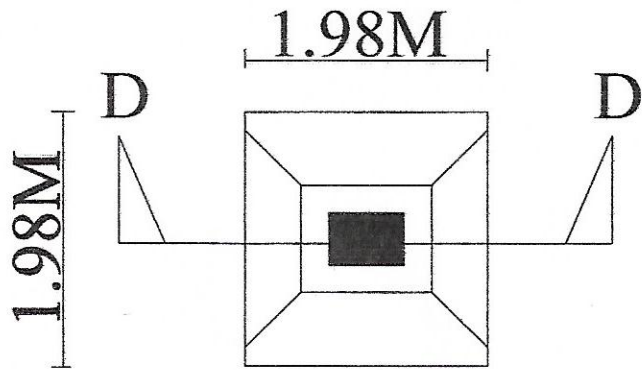


BEAM AT LANDING LV.

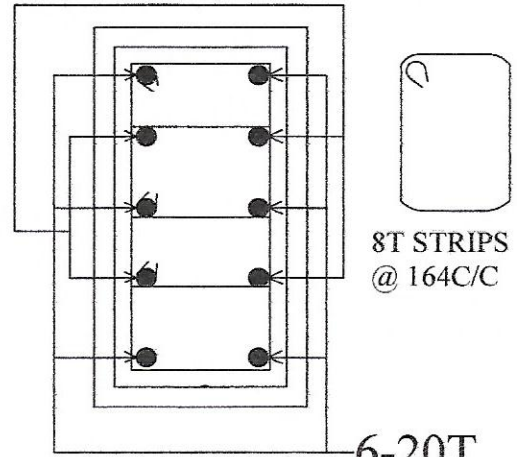


ROOF BEAM





**FOUNDATION
(250X500)**



**250X500
8T STRIPS @ 164C/C**

